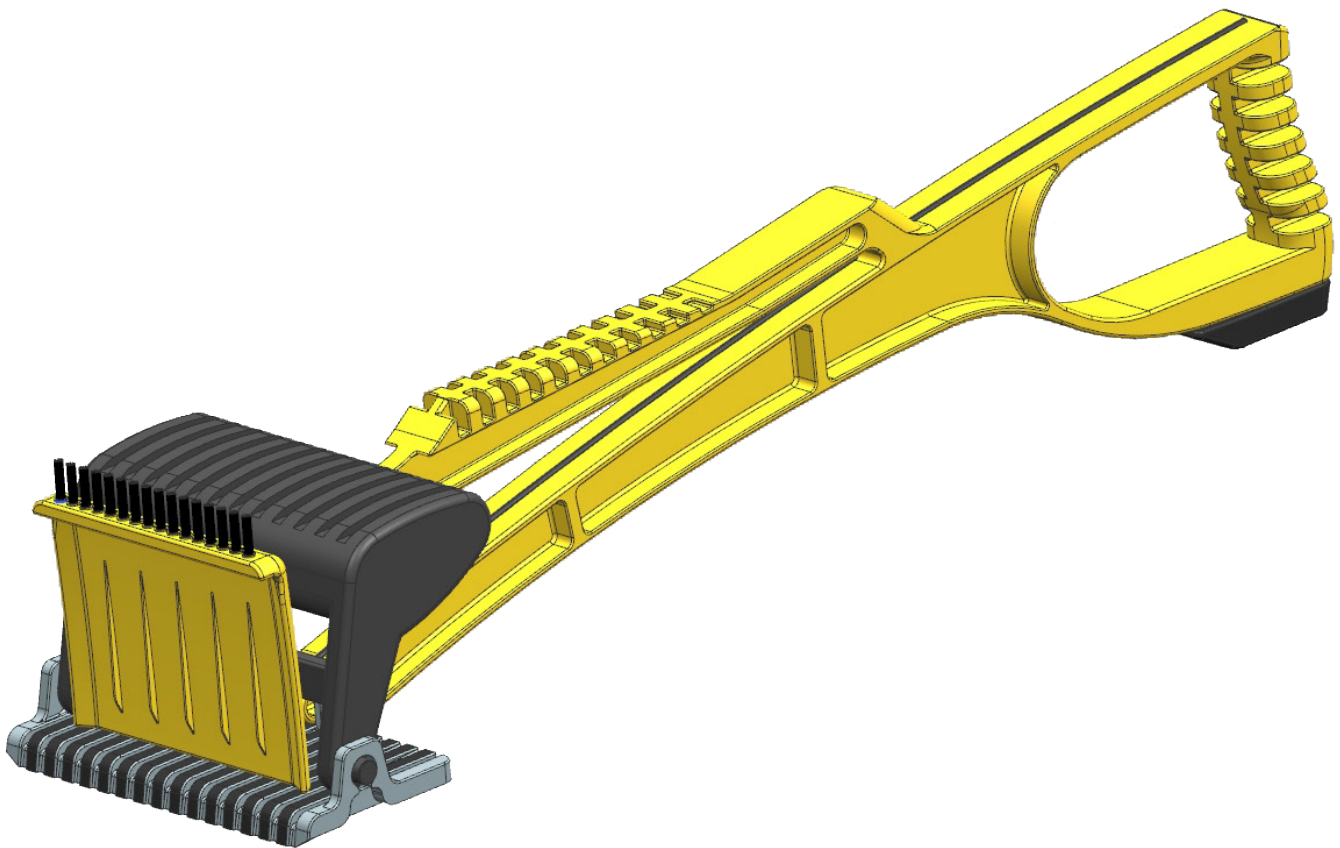


Videos
Includes over nine
hours of video instruction

Project Based SOLIDWORKS® 2016



Kirstie Plantenberg, CSWA



Better Textbooks. Lower Prices.
www.SDCpublications.com



ACCESS CODE
UNIQUE CODE INSIDE

Visit the following websites to learn more about this book:



[amazon.com](https://www.amazon.com)

[Google books](https://books.google.com)

[BARNES & NOBLE](https://www.barnesandnoble.com)

PROJECT BASED SOLIDWORKS®

TABLE OF CONTENTS

INTRODUCTION TO SOLIDWORKS®

- Chapter 1: Introduction to SOLIDWORKS®

CONNECTING ROD PROJECT

- Chapter 2: Connecting Rod Project – Model
- Chapter 3: Connecting Rod Project – Configurations
- Chapter 4: Connecting Rod Project – Part Print
- Chapter 5: Connecting Rod Project – Static FEA

FLANGED COUPLING PROJECT

- Chapter 6: Flanged Coupling Project – Coupling
- Chapter 7: Flanged Coupling Project – Assembly
- Chapter 8: Flanged Coupling Project – Assembly Drawing

LINEAR BEARING PROJECT

- Chapter 9: Linear Bearing Project – Assembly

MICROPHONE PROJECT

- Chapter 10: Microphone Project – Base
- Chapter 11: Microphone Project – Arm

BOAT PROJECT

- Chapter 12: Boat Project

WISE PROJECT

- Chapter 13: Vise Project – Tolerancing
- Chapter 14: Vise Project – Design Intent / Parametric Modeling
- Chapter 15: Vise Project – Assembly

BICYCLE HANDLEBARS PROJECT

- Chapter 16: Bicycle Handlebar Project – 3D Sketch