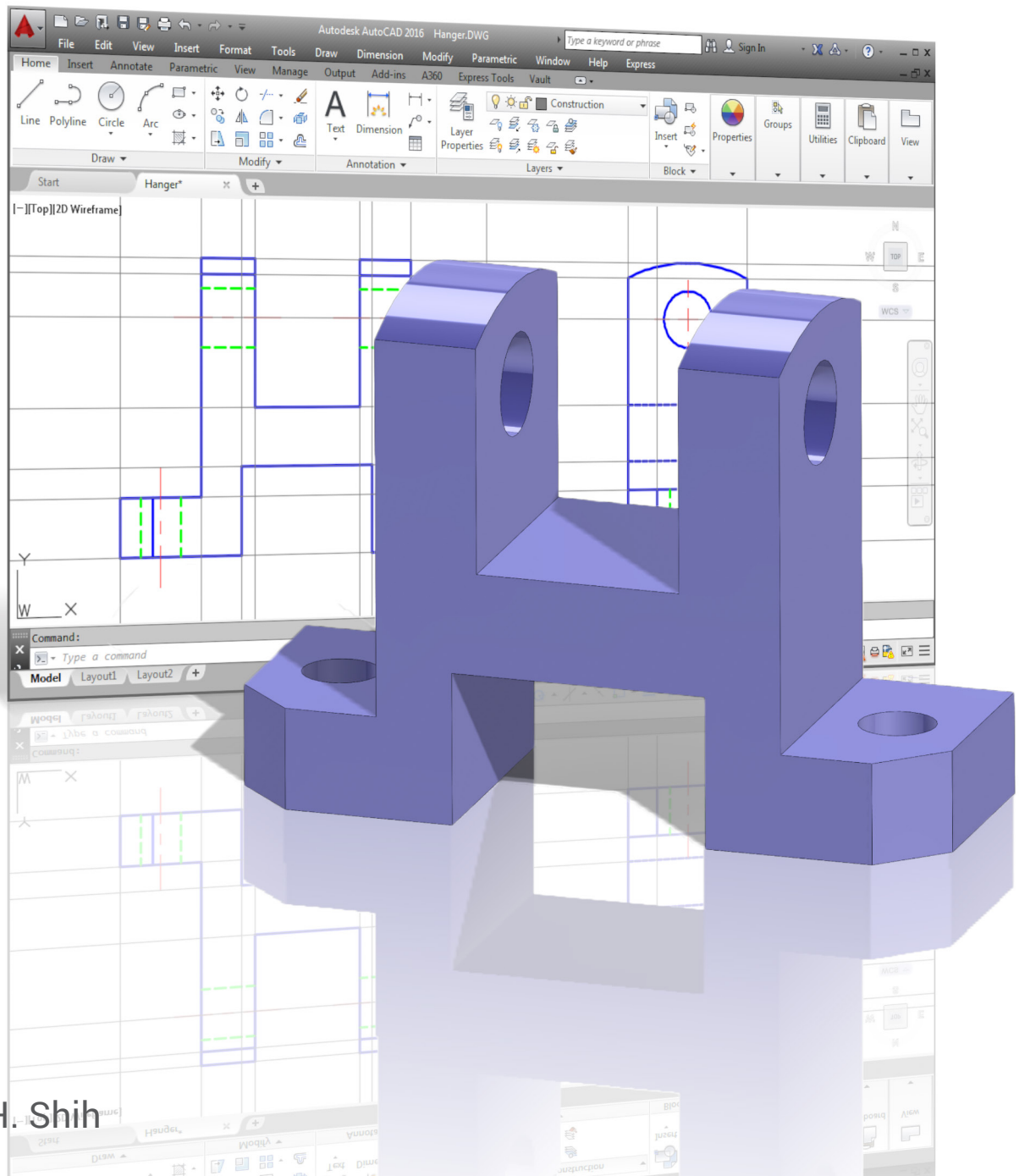


AutoCAD® 2016 Tutorial

First Level 2D Fundamentals



Randy H. Shih

Visit the following websites to learn more about this book:



[amazon.com](https://www.amazon.com)

[Google books](https://books.google.com)

[BARNES & NOBLE](https://www.barnesandnoble.com)

Table of Contents

Preface / Multimedia CD	i
Acknowledgments	ii
Notes on using this book to prepare for the AutoCAD Certified User Examination	iii
AutoCAD Certified User Examination Reference Guide	iv
Tips on Taking the AutoCAD Certified User Examination	xi
Introduction	
Getting Started	
Introduction	Intro-2
Development of Computer Aided Design	Intro-2
Why use AutoCAD 2016	Intro-5
Getting Started with AutoCAD 2016	Intro-7
AutoCAD 2016 Screen Layout	Intro-8
Application Menu	Intro-9
Quick Access Toolbar	Intro-9
AutoCAD Menu Bar	Intro-9
Layout Tabs	Intro-9
Drawing Area	Intro-10
Graphics Cursor or Crosshairs	Intro-10
Command Prompt Area	Intro-10
Cursor Coordinates	Intro-10
Status Toolbar	Intro-10
Ribbon Tabs and Panels	Intro-11
Draw and Modify Toolbar Panel	Intro-11
Layers Control Toolbar Panel	Intro-11
Viewport/View/Display Controls	Intro-11
Mouse Buttons	Intro-12
[Esc] - Canceling Commands	Intro-12
Online Help	Intro-13
Leaving AutoCAD 2016	Intro-14
Creating a CAD File Folder	Intro-14
Chapter 1	
AutoCAD Fundamentals	
AutoCAD Certified User Examination Objectives Coverage	1-2
Introduction	1-3
Starting Up AutoCAD 2016	1-3
Drawing Units Setup	1-5
Drawing Area Setup	1-6
Drawing Lines with the <i>LINE</i> Command	1-8

Visual Reference	1-10
<i>GRID</i> ON	1-11
<i>SNAP Mode</i> ON	1-12
Using the <i>ERASE</i> Command	1-13
Repeat the Last Command	1-14
The CAD Database and the User Coordinate System	1-15
Changing to the 2D UCS Icon Display	1-16
Cartesian and Polar Coordinate Systems	1-17
Absolute and Relative Coordinates	1-17
Defining Positions	1-18
Grid Style Setup	1-18
The <i>Guide Plate</i>	1-19
Creating <i>Circles</i>	1-23
Saving the CAD Design	1-25
Close the Current Drawing	1-26
The <i>Spacer</i> Design	1-27
Start a New Drawing	1-27
Drawing Units Setup	1-28
Drawing Area Setup	1-29
Using the Line Command	1-31
Using the <i>ERASE</i> Command	1-33
Using the Arc Command	1-33
Using the Circle Command	1-35
Saving the CAD Design	1-36
Exit AutoCAD	1-36
Review Questions	1-37
Exercises	1-38

Chapter 2

Basic Object Construction Tools

AutoCAD Certified User Examination Objectives Coverage	2-2
Introduction	2-3
Starting Up AutoCAD 2016	2-3
Dynamic Input	2-4
The <i>RockerArm</i> Design	2-7
Activate the Startup Option	2-8
Drawing Units Display Setup	2-9
<i>GRID</i> and <i>SNAP</i> Intervals Setup	2-10
Drawing Area Setup	2-11
Referencing the World Coordinate System	2-12
Creating <i>Circles</i>	2-13
<i>Object Snap</i> Toolbar	2-14
Using the <i>LINE</i> command	2-15
Creating a <i>TTR Circle</i>	2-17
Using the <i>TRIM</i> Command	2-19

Using the <i>Polygon</i> Command	2-21
Creating a Concentric <i>Circle</i>	2-23
Using the QuickCalc Calculator to Measure Distance and Angle	2-24
Saving the CAD file	2-28
Exit AutoCAD	2-28
AutoCAD quick keys	2-29
Review Questions	2-30
Exercises	2-31

Chapter 3

Geometric Construction and Editing Tools

AutoCAD Certified User Examination Objectives Coverage	3-2
Geometric Constructions	3-4
Starting Up AutoCAD 2016	3-5
Geometric Construction - CAD Method	3-6
• Bisection of a Line or Arc	3-6
• Bisection of an Angle	3-9
• Transfer of an Angle	3-11
• Dividing a Given Line into a Number of Equal Parts	3-15
• Circle through Three Points	3-17
• Line Tangent to a Circle from a Given Point	3-18
• Circle of a Given Radius Tangent to Two Given Lines	3-19
The <i>Gasket</i> Design	3-22
Drawing Units Display Setup	3-23
<i>GRID</i> and <i>SNAP</i> Intervals Setup	3-24
Using the <i>LINE</i> Command	3-25
<i>Object Snap</i> Toolbar	3-27
Using the <i>EXTEND</i> Command	3-30
Using the <i>TRIM</i> Command	3-31
Creating a <i>TTR</i> Circle	3-32
Using the <i>FILLET</i> Command	3-33
Converting Objects into a <i>Polyline</i>	3-34
Using the <i>OFFSET</i> Command	3-35
Using the Area Inquiry Tool to Measure Area and Perimeter	3-36
Using the <i>EXPLODE</i> Command	3-38
Create another <i>FILLET</i>	3-38
Saving the CAD file	3-39
Exit AutoCAD	3-39
Review Questions	3-40
Exercises	3-41

Chapter 4 Object Properties and Organization

AutoCAD Certified User Examination Objectives Coverage	4-2
Introduction	4-3
The <i>Floor Plan</i> Design	4-3
Starting Up AutoCAD 2016	4-4
Using the Setup Wizard	4-4
Drawing Units Setup	4-5
Reference Area Setup	4-5
<i>GRID</i> and <i>SNAP</i> Intervals Setup	4-6
Using the <i>ZOOM Extents</i> Command in the Navigation Bar	4-7
The AutoCAD <i>MULTILINE</i> Command	4-7
Object Snap Toolbar	4-10
Drawing <i>Multilines</i>	4-11
Creating Interior Walls	4-14
Joining the Walls using <i>MULTILINE EDIT</i>	4-17
Using <i>Layers</i> and Object Properties	4-19
Using <i>ZOOM REALTIME</i>	4-22
Modeling the Bathroom	4-23
Controlling <i>Layer Visibility</i>	4-25
Adding a New Layer	4-25
Moving Objects to a Different Layer	4-26
Matching Layer Properties	4-27
Review Questions	4-29
Exercises	4-30

Chapter 5 Orthographic Views in Multiview Drawings

AutoCAD Certified User Examination Objectives Coverage	5-2
Introduction	5-3
The LOCATOR Design	5-3
The <i>Locator</i> Part	5-4
Starting Up AutoCAD 2016	5-4
<i>Layers</i> Setup	5-5
Drawing <i>Construction Lines</i>	5-6
Using the <i>OFFSET</i> Command	5-6
Set Layer <i>Object</i> as the Current Layer	5-8
Using the <i>Running Object Snaps</i>	5-8
Creating <i>Object Lines</i>	5-10
Turn <i>OFF</i> the Construction Lines	5-11
Adding More Objects in the Front View	5-11
AutoCAD's AutoSnap™ and AutoTrack™ Features	5-12
Adding More Objects in the Top View	5-14
Drawing Using the <i>Miter Line</i> Method	5-18
More <i>Layers Setup</i>	5-20

Top View to Side View Projection	5-21
Completing the Front View	5-23
Object Information Using the List Command	5-25
Object Information Using the Properties Command	5-26
Review Questions	5-27
Exercises	5-28

Chapter 6

Basic Dimensioning and Notes

AutoCAD Certified User Examination Objectives Coverage	6-2
Introduction	6-3
The Bracket Design	6-3
Starting Up AutoCAD 2016	6-4
Layers Setup	6-5
The Bracket Design	6-6
Drawing Construction Lines	6-7
Using the <i>OFFSET</i> Command	6-7
Set Layer <i>Object_Lines</i> as the <i>Current Layer</i>	6-9
Creating Object Lines	6-9
Creating Hidden Lines	6-10
Creating Center Lines	6-11
Turn <i>OFF</i> the Construction Lines	6-11
Using the <i>FILLET</i> Command	6-12
Saving the Completed CAD Design	6-13
Accessing the Dimensioning Commands	6-14
The <i>Dimension Toolbar</i>	6-15
Using <i>Dimension Style Manager</i>	6-15
Dimensions Nomenclature and Basics	6-16
Using the <i>Center Mark</i> Command	6-19
Adding <i>Linear</i> Dimensions	6-20
Adding <i>Angular</i> Dimensions	6-21
Adding <i>Radius</i> and <i>Diameter</i> Dimensions	6-22
Using the <i>MULTILINE TEXT</i> Command	6-23
Adding Special Characters	6-24
Saving the Design	6-25
A Special Note on Layers Containing Dimensions	6-25
Review Questions	6-26
Exercises	6-27

Chapter 7

Templates and Plotting

AutoCAD Certified User Examination Objectives Coverage	7-2
Introduction	7-3
The Geneva Cam Design	7-3

Starting Up AutoCAD 2016	7-4
Setting up the <i>Plot Style Mode</i>	7-5
Starting a New File	7-7
<i>GRID</i> and <i>SNAP</i> Intervals Setup	7-8
<i>Layers</i> Setup	7-9
Adding Borders and Title Block in the Layout	7-10
Create a <i>Template File</i>	7-13
Exit AutoCAD 2016	7-14
Starting Up AutoCAD 2016	7-14
The <i>Geneva Cam</i> Drawing	7-15
Drawing Construction Lines	7-16
Creating Object Lines	7-17
Using the <i>OFFSET</i> Command	7-18
Using the <i>MIRROR</i> Command	7-20
Using the <i>ARRAY</i> Command	7-21
Creating a <i>Viewport</i> Inside the Title Block	7-24
<i>Viewport</i> Properties	7-25
Hide the <i>Viewport Borders</i>	7-26
Adjusting the Dimension Scale	7-26
<i>Plot/Print</i> the Drawing	7-28
Create a B size Layout of the design	7-30
Adjust the Dimension Scale for the B size Print	7-34
Review Questions	7-36
Exercises	7-37

Chapter 8

Parametric Drawing Tools

AutoCAD Certified User Examination Objectives Coverage	8-2
Introduction	8-3
Starting Up AutoCAD 2016	8-5
<i>Layers</i> Setup	8-5
Creating Rough Sketches	8-6
Parametric Drawing Tools	8-8
Applying Geometric Constraints	8-9
Applying Dimensional Constraints	8-12
Additional Geometric and Dimensional Constructions	8-14
Using the <i>MIRROR</i> Command	8-25
Using the <i>TRIM</i> Command	8-26
Using the <i>Auto Constrain</i> Command	8-28
Creating and Constraining Additional Circles	8-30
Control the Display of Constraints	8-33
The Implicit Geometric Constraint Approach	8-34
Review Questions	8-40
Exercises	8-41

Chapter 9

Auxiliary Views and Editing with GRIPS

AutoCAD Certified User Examination Objectives Coverage	9-2
Introduction	9-3
The <i>V-Block</i> Design	9-3
Starting Up AutoCAD 2016	9-4
Setting up the Principal Views	9-5
Setting up the <i>Top View</i>	9-8
Using the <i>OFFSET</i> Command	9-9
Creating Object Lines in the <i>Front View</i>	9-11
Setting the <i>POLAR TRACKING</i> Option	9-12
Setting up the <i>Auxiliary View</i>	9-15
Aligning the <i>Auxiliary View</i> to the <i>Front View</i>	9-16
Creating the V-cut in the <i>Auxiliary View</i>	9-16
Creating the V-cut in the <i>Front-View</i> and <i>Top-View</i>	9-19
Setting the <i>Polar Tracking</i> Option	9-21
Completing the <i>Top-View</i>	9-21
Edit the Plot Style Table	9-24
Start a new drawing for a Metric Template File	9-27
<i>Layers</i> Setup	9-28
Set up an A size Borders and Title Block in Layout1	9-29
Review Questions	9-34
Exercises	9-35

Chapter 10

Section Views

AutoCAD Certified User Examination Objectives Coverage	10-2
Introduction	10-3
The <i>Bearing</i> Design	10-3
Starting Up AutoCAD 2016	10-4
The <i>Bearing</i> Design	10-5
Setting up the <i>Principal Views</i>	10-5
Creating Object Lines in the <i>Front View</i>	10-7
Editing the Circles	10-9
Setting up the <i>Side View</i>	10-10
Adding Hidden Lines in the <i>Side View</i>	10-12
Changing the <i>Line Type Scale</i> Property	10-14
Stretching and Moving Objects with <i>GRIPS</i>	10-15
Drawing a Cutting Plane Line	10-16
Converting the Side View into a Section View	10-19
Adding <i>Section Lines</i>	10-21
Review Questions	10-24
Exercises	10-25

Chapter 11

Assembly Drawings and Blocks

AutoCAD Certified User Examination Objectives Coverage	11-2
Introduction	11-3
The <i>Shaft Support</i> Subassembly	11-4
Additional Parts	11-4
(1) Cap-Screw	11-4
(2) Collar	11-5
(3) Base-Plate	11-5
Starting Up AutoCAD and Loading Multiple Drawings	11-6
Using AutoCAD with the Internet	11-7
Rearrange the Displayed Windows	11-8
Defining a <i>Block</i>	11-9
Inserting a <i>Block</i>	11-11
Starting the <i>Assembly Drawing</i>	11-12
Copying and Pasting with the <i>Windows Clipboard</i>	11-13
Converting the View into a <i>Section View</i>	11-14
Adding the Bearing to the <i>Assembly Drawing</i>	11-16
Adding the Cap-Screws to the <i>Assembly Drawing</i>	11-19
Creating <i>Callouts</i> with the Multileader Command	11-21
Creating a <i>Viewport</i> in the A-Size Layout	11-24
<i>Viewport</i> Properties	11-25
Adding a <i>PARTS LIST</i> to the Assembly Drawing	11-26
Review Questions	11-32
Exercises	11-33

Index