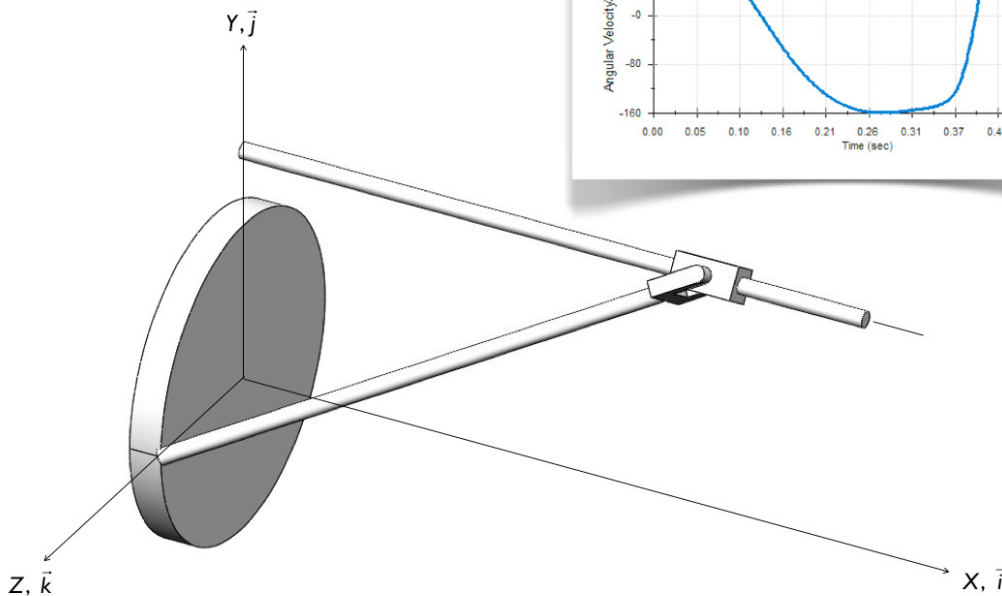
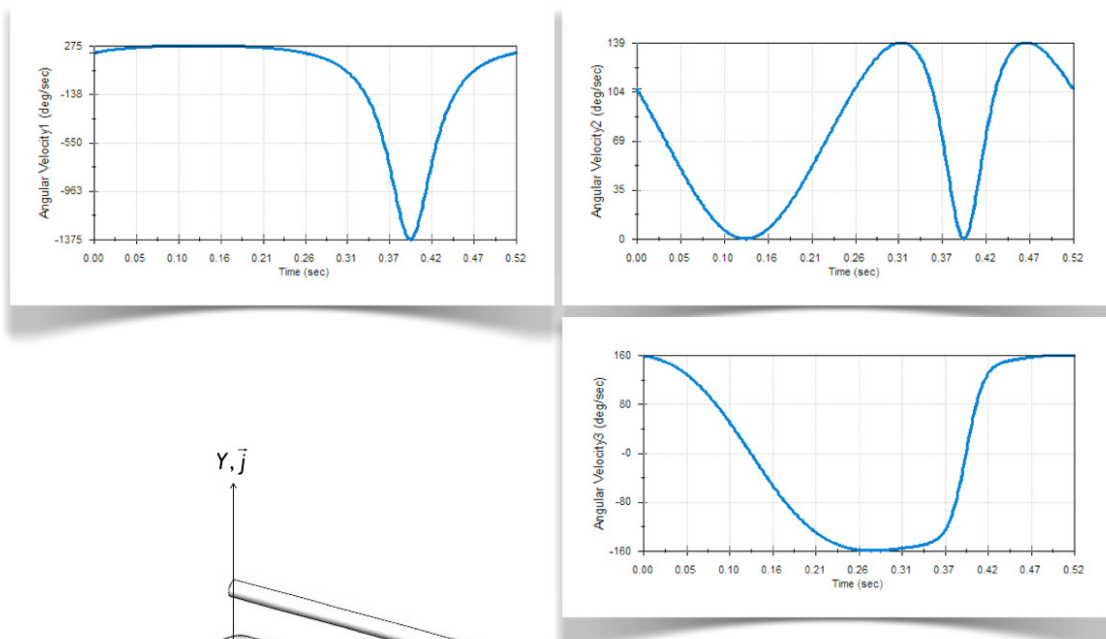


# Engineering Dynamics Labs

with SOLIDWORKS® Motion 2015

**Includes**  
Video demonstrations  
of the exercises in the book



Huei-Huang Lee



**Better Textbooks. Lower Prices.**  
[www.SDCpublications.com](http://www.SDCpublications.com)



Visit the following websites to learn more about this book:



[amazon.com](https://www.amazon.com)

[Google books](https://books.google.com)

[BARNES & NOBLE](https://www.barnesandnoble.com)

# Contents

Preface I

**Chapter 1 Particle Kinematics 4**

- 1.1 Rectangular Components: Falling Ball 5
- 1.2 Radial and Transverse Components: Sliding Collar on Rotating Arm 20

**Chapter 2 Particle Dynamics: Force and Acceleration 34**

- 2.1 Newton's 2nd Law: Block and Wedge 35
- 2.2 Newton's 2nd Law: Billiard Balls 47

**Chapter 3 Particle Dynamics: Work and Energy 58**

- 3.1 Principle of Work and Energy: Oscillating Block 59
- 3.2 Principle of Minimum Potential Energy: Sliding Collar on Rod 71

**Chapter 4 Particle Dynamics: Impulse and Momentum 82**

- 4.1 Principle of Impulse and Momentum: Block and Wedge 83
- 4.2 Conservation of Momentum: Impact of Two Balls 89

**Chapter 5 Planar Rigid Body Kinematics 99**

- 5.1 Crank-Link-Piston Mechanism 100
- 5.2 Geneva Mechanism 113

**Chapter 6 Planar Rigid Body Dynamics: Force and Acceleration 121**

- 6.1 Newton's 2nd Law: Double Pendulum 122
- 6.2 Sliding and Rolling: Bowling Ball 131

**Chapter 7 Planar Rigid Body Dynamics: Work and Energy 139**

- 7.1 Principle of Work and Energy: Crank-Link-Piston Mechanism 140
- 7.2 Conservation of Energy: Double Pendulum 146

**Chapter 8 Planar Rigid Body Dynamics: Impulse and Momentum 150**

- 8.1 Principle of Impulse and Momentum: Crank-Link-Piston Mechanism 151
- 8.2 Impact of Ball and Bar 160

**Chapter 9 3D Rigid Body Kinematics 167**

- 9.1 Disk-Link-Collar Mechanism 168
- 9.2 Robot 178

**Chapter 10 3D Rigid Body Dynamics 187**

- 10.1 Newton's 2nd Law: Disk-Link-Collar Mechanism 188
- 10.2 Unbalanced Shaft 199
- 10.2 Spinning Top 209

**Chapter 11 Vibrations 215**

- 11.1 A Mass-Spring-Damper System 216
- 11.2 Eccentric Rotor 225

**Index 232**