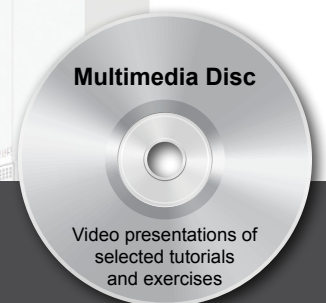
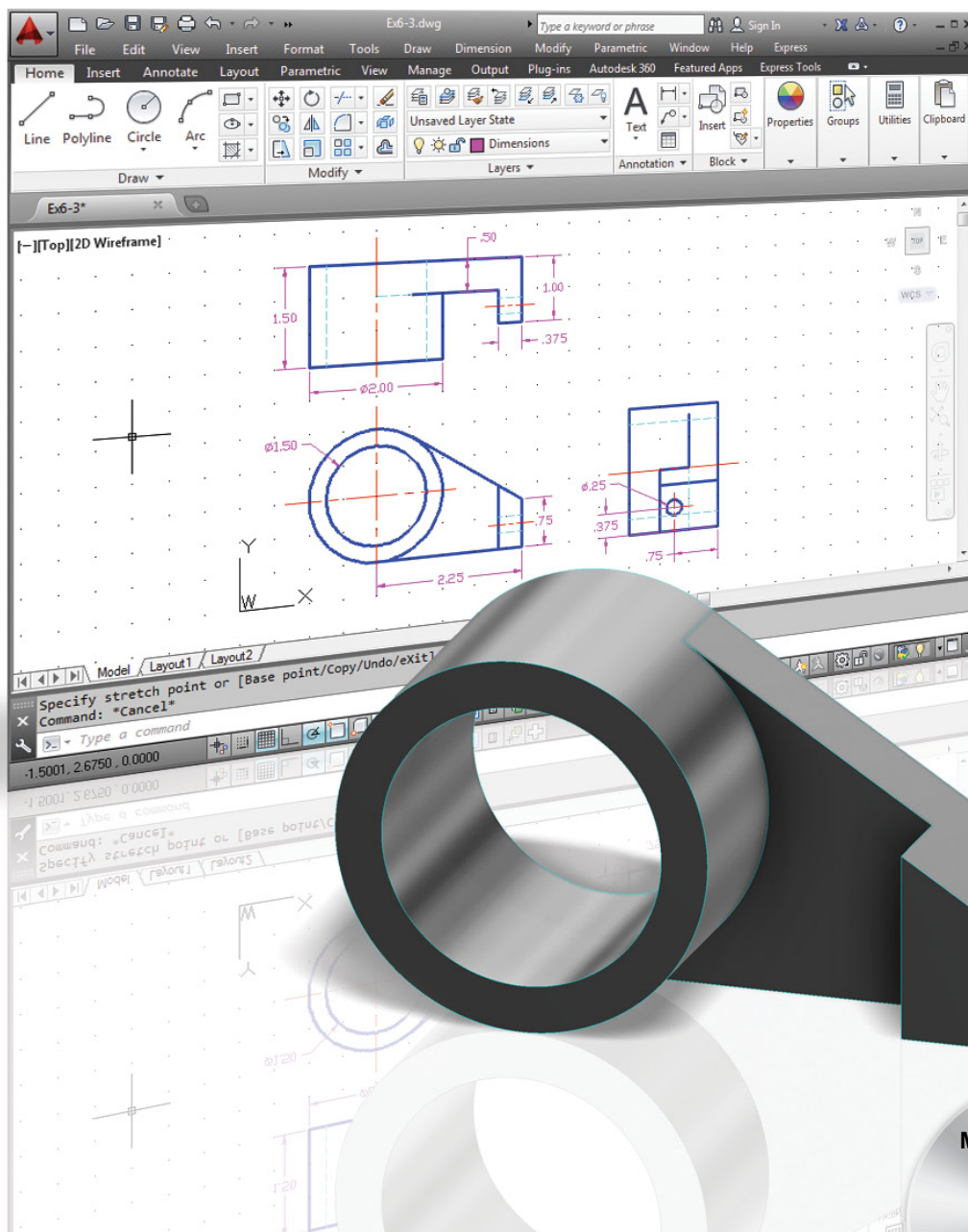


# AutoCAD® 2014 Tutorial - First Level: 2D Fundamentals

Randy H. Shih



Visit the following websites to learn more about this book:



[amazon.com](https://www.amazon.com)

[BARNES & NOBLE](https://www.barnesandnoble.com)

[Google books](https://books.google.com)

# Table of Contents

<b>Preface / Multimedia CD</b>	i
<b>Acknowledgments</b>	ii
<b>Notes on using this book to prepare for the AutoCAD Certified User Examination</b>	iii
<b>AutoCAD Certified User Examination Reference Guide</b>	iv
<b>Tips on Taking the AutoCAD Certified User Examination</b>	x
<b>Introduction</b>	
<b>Getting Started</b>	
Introduction	Intro-2
Development of Computer Aided Design	Intro-2
Why use AutoCAD® 2014	Intro-5
Getting Started with AutoCAD® 2014	Intro-7
AutoCAD® 2014 Screen Layout	Intro-8
Application Menu	Intro-9
Workspace Switching	Intro-9
Quick Access Toolbar	Intro-9
AutoCAD Menu Bar	Intro-9
Graphics Window	Intro-10
Graphics Cursor or Crosshairs	Intro-10
Command Prompt Area	Intro-10
Cursor Coordinates	Intro-10
Status Toolbar	Intro-10
Ribbon Tabs and Panels	Intro-10
Draw and Modify Toolbar Panel	Intro-11
Layers Control Toolbar Panel	Intro-11
Annotation Toolbar Panel	Intro-11
Layout/Model Toolbar	Intro-11
Viewing Toolbar	Intro-11
Mouse Buttons	Intro-12
[Esc] - Canceling Commands	Intro-12
On-Line Help	Intro-13
Leaving AutoCAD® 2014	Intro-14
Creating a CAD File Folder	Intro-15
<b>Chapter 1</b>	
<b>AutoCAD Fundamentals</b>	
AutoCAD Certified User Examination Objectives Coverage	1-2
Introduction	1-3
Starting Up AutoCAD® 2014	1-3
Drawing Units Setup	1-5

Drawing Area Setup	1-6
Using the <i>InfoCenter</i> to Get More Information	1-7
Drawing Lines with the <i>LINE</i> Command	1-8
Visual Reference	1-10
<i>GRID</i> ON	1-11
<i>SNAP Mode</i> ON	1-12
Using the <i>ERASE</i> Command	1-13
Repeat the Last Command	1-14
The CAD Database and the User Coordinate System	1-15
Changing to the 2D UCS Icon Display	1-16
Cartesian and Polar Coordinate Systems	1-17
Absolute and Relative Coordinates	1-17
Defining Positions	1-18
The <i>Guide Plate</i>	1-19
Creating <i>Circles</i>	1-23
Saving the CAD Design	1-25
Close the Current Drawing	1-26
The <i>Spacer</i> Design	1-27
Start a New Drawing	1-27
Drawing Units Setup	1-28
Drawing Area Setup	1-29
Using the Line Command	1-31
Using the <i>ERASE</i> Command	1-33
Using the Arc Command	1-33
Using the Circle Command	1-35
Saving the CAD Design	1-36
Exit AutoCAD	1-36
Review Questions	1-37
Exercises	1-38

## **Chapter 2**

### **Basic Object Construction Tools**

AutoCAD Certified User Examination Objectives Coverage	2-2
Introduction	2-3
Starting Up AutoCAD® 2014	2-3
Dynamic Input	2-4
The <i>RockerArm</i> Design	2-7
Activate the Startup Option	2-8
Drawing Units Display Setup	2-9
<i>GRID</i> and <i>SNAP</i> Intervals Setup	2-10
Drawing Area Setup	2-11
Referencing the World Coordinate System	2-12
Creating <i>Circles</i>	2-13
<i>Object Snap</i> Toolbar	2-14
Using the <i>LINE</i> command	2-15

Creating a <i>TTR Circle</i>	2-17
Using the <i>TRIM</i> Command	2-19
Using the <i>Polygon</i> Command	2-21
Creating a Concentric <i>Circle</i>	2-23
Using the QuickCalc Calculator to Measure Distance and Angle	2-24
Saving the CAD file	2-28
Exit AutoCAD	2-28
Review Questions	2-29
Exercises	2-30

### Chapter 3

## Geometric Construction and Editing Tools

AutoCAD Certified User Examination Objectives Coverage	3-2
Geometric Constructions	3-4
Starting Up AutoCAD® 2014	3-5
Geometric Construction - CAD Method	3-6
• Bisection of a Line or Arc	3-6
• Bisection of an Angle	3-9
• Transfer of an Angle	3-11
• Dividing a Given Line into a Number of Equal Parts	3-15
• Circle through Three Points	3-17
• Line Tangent to a Circle from a Given Point	3-18
• Circle of a Given Radius Tangent to Two Given Lines	3-19
The <i>Gasket</i> Design	3-22
Drawing Units Display Setup	3-23
<i>GRID</i> and <i>SNAP</i> Intervals Setup	3-24
Using the <i>LINE</i> Command	3-25
<i>Object Snap</i> Toolbar	3-27
Using the <i>EXTEND</i> Command	3-30
Using the <i>TRIM</i> Command	3-31
Creating a <i>TTR Circle</i>	3-32
Using the <i>FILLET</i> Command	3-33
Converting Objects into a <i>Polyline</i>	3-34
Using the <i>OFFSET</i> Command	3-35
Using the Area Inquiry Tool to Measure Area and Perimeter	3-36
Using the <i>EXPLODE</i> Command	3-38
Create another <i>FILLET</i>	3-38
Saving the CAD file	3-39
Exit AutoCAD	3-39
Review Questions	3-40
Exercises	3-41

## Chapter 4

### Object Properties and Organization

AutoCAD Certified User Examination Objectives Coverage	4-2
Introduction	4-3
The <i>Floor Plan</i> Design	4-3
Starting Up AutoCAD® 2014	4-4
Using the Setup Wizard	4-4
Drawing Units Setup	4-5
Reference Area Setup	4-5
<i>GRID</i> and <i>SNAP</i> Intervals Setup	4-6
Using the <i>ZOOM Extents</i> Command in the Navigation Bar	4-7
The AutoCAD <i>MULTILINE</i> Command	4-7
Object Snap Toolbar	4-10
Drawing <i>Multilines</i>	4-11
Creating Interior Walls	4-14
Joining the Walls using <i>MULTILINE EDIT</i>	4-17
Using <i>Layers</i> and Object Properties	4-19
Using <i>ZOOM REALTIME</i>	4-22
Modeling the Bathroom	4-23
Controlling <i>Layer Visibility</i>	4-25
Adding a New Layer	4-25
Moving Objects to a Different Layer	4-26
Matching Layer Properties	4-27
Review Questions	4-29
Exercises	4-30

## Chapter 5

### Orthographic Views in Multiview Drawings

AutoCAD Certified User Examination Objectives Coverage	5-2
Introduction	5-3
The LOCATOR Design	5-3
The <i>Locator</i> Part	5-4
Starting Up AutoCAD® 2014	5-4
<i>Layers</i> Setup	5-5
Drawing <i>Construction Lines</i>	5-6
Using the <i>OFFSET</i> Command	5-6
Set Layer <i>Object</i> as the Current Layer	5-8
Using the <i>Running Object Snaps</i>	5-8
Creating <i>Object Lines</i>	5-10
Turn <i>OFF</i> the Construction Lines	5-11
Adding More Objects in the Front View	5-11
AutoCAD's AutoSnap™ and AutoTrack™ Features	5-12
Adding More Objects in the Top View	5-14
Drawing Using the <i>Miter Line</i> Method	5-18
More <i>Layers Setup</i>	5-20

Top View to Side View Projection	5-21
Completing the Front View	5-23
Object Information Using the List Command	5-25
Object Information Using the Properties Command	5-26
Review Questions	5-27
Exercises	5-28

## **Chapter 6**

### **Basic Dimensioning and Notes**

AutoCAD Certified User Examination Objectives Coverage	6-2
Introduction	6-3
The Bracket Design	6-3
Starting Up AutoCAD® 2014	6-4
Layers Setup	6-5
The Bracket Design	6-6
Drawing Construction Lines	6-7
Using the <i>OFFSET</i> Command	6-7
Set Layer <i>Object_Lines</i> as the <i>Current Layer</i>	6-9
Creating Object Lines	6-9
Creating Hidden Lines	6-10
Creating Center Lines	6-11
Turn <i>OFF</i> the Construction Lines	6-11
Using the <i>FILLET</i> Command	6-12
Saving the Completed CAD Design	6-13
Accessing the Dimensioning Commands	6-14
The <i>Dimension Toolbar</i>	6-15
Using <i>Dimension Style Manager</i>	6-15
Dimensions Nomenclature and Basics	6-16
Using the <i>Center Mark</i> Command	6-19
Adding <i>Linear</i> Dimensions	6-20
Adding <i>Angular</i> Dimensions	6-21
Adding <i>Radius</i> and <i>Diameter</i> Dimensions	6-22
Using the <i>SINGLE LINE TEXT</i> Command	6-23
Adding Special Characters	6-24
Saving the Design	6-25
A Special Note on Layers Containing Dimensions	6-25
Review Questions	6-26
Exercises	6-27

## **Chapter 7**

### **Templates and Plotting**

AutoCAD Certified User Examination Objectives Coverage	7-2
Introduction	7-3
The Geneva Cam Design	7-3

Starting Up AutoCAD® 2014	7-4
Setting up the <i>Plot Style Mode</i>	7-5
Starting a New File	7-7
<i>GRID</i> and <i>SNAP</i> Intervals Setup	7-8
<i>Layers</i> Setup	7-9
Adding Borders and Title Block in the Layout	7-10
Create a <i>Template File</i>	7-13
Exit AutoCAD® 2014	7-14
Starting Up AutoCAD® 2014	7-14
The <i>Geneva Cam</i> Drawing	7-15
Drawing Construction Lines	7-16
Creating Object Lines	7-17
Using the <i>OFFSET</i> Command	7-18
Using the <i>MIRROR</i> Command	7-20
Using the <i>ARRAY</i> Command	7-21
Creating a <i>Viewport</i> Inside the Title Block	7-24
<i>Viewport</i> Properties	7-25
Hide the <i>Viewport Borders</i>	7-26
Adjusting the Dimension Scale	7-26
<i>Plot/Print</i> the Drawing	7-28
Review Questions	7-30
Exercises	7-31

## Chapter 8

### Parametric Drawing Tools

AutoCAD Certified User Examination Objectives Coverage	8-2
Introduction	8-3
Starting Up AutoCAD® 2014	8-5
<i>Layers</i> Setup	8-5
Creating Rough Sketches	8-6
Parametric Drawing Tools	8-8
Applying Geometric Constraints	8-9
Applying Dimensional Constraints	8-12
Additional Geometric and Dimensional Constructions	8-14
Using the <i>MIRROR</i> Command	8-25
Using the <i>TRIM</i> Command	8-26
Using the <i>Auto Constrain</i> Command	8-28
Creating and Constraining Additional Circles	8-30
Control the Display of Constraints	8-33
The Implicit Geometric Constraint Approach	8-34
Review Questions	8-40
Exercises	8-41



## Chapter 9 Auxiliary Views and Editing with GRIPS

AutoCAD Certified User Examination Objectives Coverage	9-2
Introduction	9-3
The <i>V-Block</i> Design	9-4
Starting Up AutoCAD® 2014	9-4
Using the AutoCAD Classic Workspace	9-5
Setting up the Principal Views	9-6
Setting up the <i>Top View</i>	9-9
Using the <i>OFFSET</i> Command	9-10
Creating Object Lines in the <i>Front View</i>	9-12
Setting the <i>POLAR TRACKING</i> Option	9-13
Setting up the <i>Auxiliary View</i>	9-16
Aligning the <i>Auxiliary View</i> to the <i>Front View</i>	9-17
Creating the V-cut in the <i>Auxiliary View</i>	9-17
Creating the V-cut in the <i>Front-View</i> and <i>Top-View</i>	9-20
Setting the <i>Polar Tracking</i> Option	9-22
Completing the <i>Top-View</i>	9-22
Edit the Plot Style Table	9-26
Review Questions	9-28
Exercises	9-29

## Chapter 10 Section Views

AutoCAD Certified User Examination Objectives Coverage	10-2
Introduction	10-3
The <i>Bearing</i> Design	10-3
Starting Up AutoCAD® 2014	10-4
The <i>Bearing</i> Example	10-5
Setting up the <i>Principal Views</i>	10-5
Creating Object Lines in the <i>Front View</i>	10-7
Editing the Circles	10-9
Setting up the <i>Side View</i>	10-10
Adding Hidden Lines in the <i>Side View</i>	10-12
Changing the <i>Line Type Scale</i> Property	10-14
Stretching and Moving Objects with <i>GRIPS</i>	10-15
Drawing a Cutting Plane Line	10-16
Converting the Side View into a Section View	10-19
Adding <i>Section Lines</i>	10-21
Review Questions	10-24
Exercises	10-25

## Chapter 11

### Assembly Drawings and Blocks

AutoCAD Certified User Examination Objectives Coverage	11-2
Introduction	11-3
The <i>Shaft Support</i> Subassembly	11-4
Additional Parts	11-4
(1) Cap-Screw	11-4
(2) Collar	11-5
(3) Base-Plate	11-5
Starting Up AutoCAD® and Loading Multiple Drawings	11-6
Using AutoCAD with the Internet	11-7
Rearrange the Displayed Windows	11-8
Defining a <i>Block</i>	11-9
Inserting a <i>Block</i>	11-11
Starting the <i>Assembly Drawing</i>	11-12
Copying and Pasting with the <i>Windows Clipboard</i>	11-13
Converting the View into a <i>Section View</i>	11-14
Adding the Bearing to the <i>Assembly Drawing</i>	11-16
Adding the Cap-Screws to the <i>Assembly Drawing</i>	11-19
Creating <i>Callouts</i> with the Multileader Command	11-21
Creating a <i>Viewport</i> in the A-Size Layout	11-24
<i>Viewport</i> Properties	11-25
Adding a <i>PARTS LIST</i> to the Assembly Drawing	11-26
Review Questions	11-32
Exercises	11-33

## Index