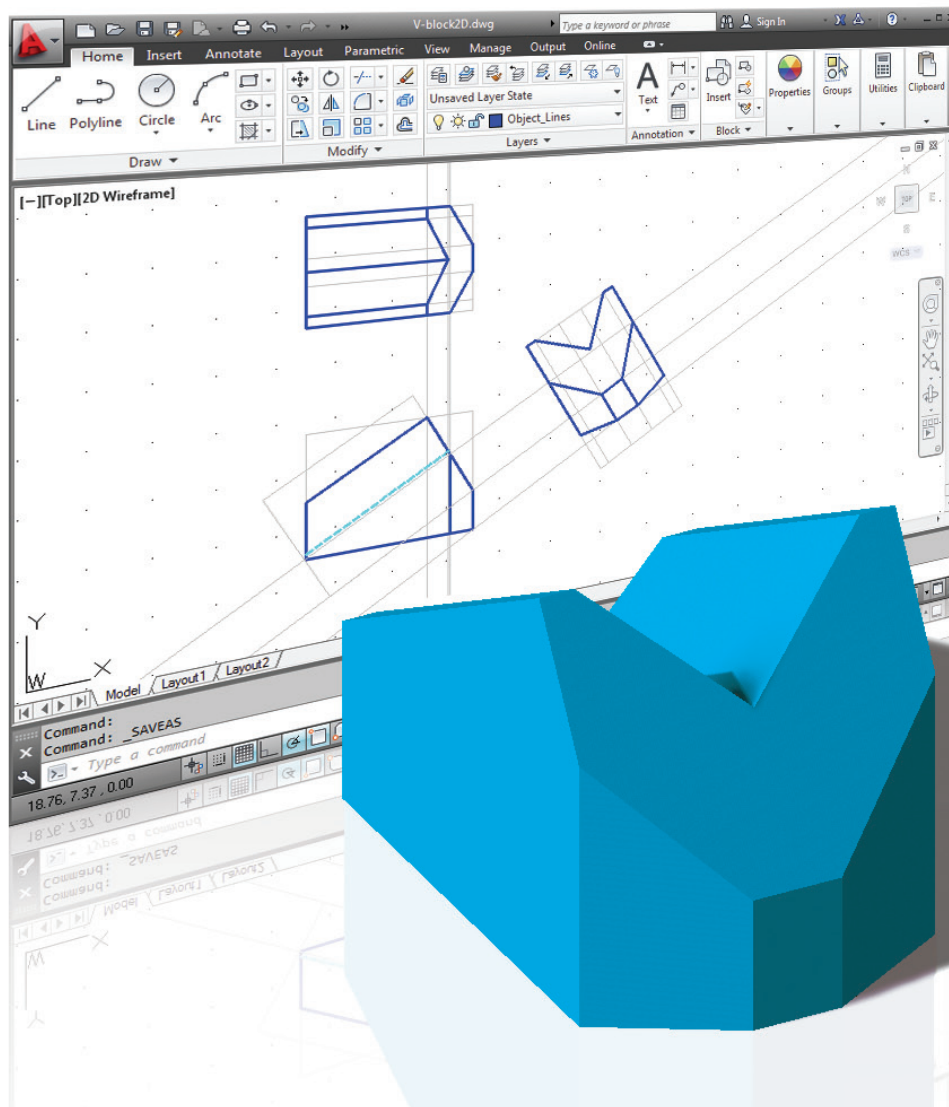


AutoCAD® 2013 Tutorial - Second Level: 3D Modeling

Randy H. Shih



Visit the following websites to learn more about this book:



[amazon.com](https://www.amazon.com)

[BARNES & NOBLE](https://www.barnesandnoble.com)

[Google books](https://books.google.com)

Table of Contents

Preface

Acknowledgments

Chapter 1

Getting Started

Introduction	1-2
Development of Computer Geometric Modeling	1-2
Why Use AutoCAD® 2013	1-5
Getting Started with AutoCAD® 2013	1-7
AutoCAD® 2013 Screen Layout	1-8
Application Menu	1-9
Quick Access Toolbar	1-9
AutoCAD Menu Bar	1-9
Graphics Cursor or Crosshairs	1-9
Command prompt Area	1-9
Cursor Coordinates	1-10
Status Toolbar	1-10
Ribbon Tabs and Panels	1-10
Draw and Modify Toolbar Panel	1-10
Layers Control Toolbar Panel	1-11
Annotation Toolbar Panel	1-11
Layout/Model Toolbar	1-11
Viewing Toolbar	1-11
Workspace Switching	1-11
Mouse Buttons	1-12
[Esc] - Canceling commands	1-12
On-Line Help	1-13
Leaving AutoCAD® 2013	1-14
Create a CAD File Folder	1-14

Chapter 2

User Coordinate System and the Z-Axis

Introduction	2-2
The Floor Plan Design	2-2
Starting Up AutoCAD® 2013	2-3
3D Modeling WorkSpace	2-4
Drawing Units Setup	2-5
Drawing Area Setup	2-6
GRID and SNAP Intervals Setup	2-7
Create Polylines	2-9
Create an Offset Polyline	2-10
Create Interior Walls	2-11
Complete the Doorway Using the TRIM Command	2-14

User Coordinate System – It is an XY CRT, but an XYZ World	2-16
Viewing the 2D Design in 3D Space	2-17
Add the 3rd Dimension to the Floor Plan Design	2-18
View the Design Using the Hide Option	2-20
Add New Layers	2-21
Move Entities to a Different Layer	2-23
Reposition the UCS	2-23
Create the Roof	2-25
Rotating the UCS	2-27
Sketching on the Rotated UCS	2-28
View the Design Using the Hidden Option	2-29
Questions	2-30
Exercises	2-31

Chapter 3

3D Wireframe Modeling

Introduction	3-2
The Locator Design	3-3
Starting Up AutoCAD® 2013	3-4
Activate the Startup Option	3-4
Create the Rectangular Base of the Design	3-6
Create a 3D Box	3-7
Object Snap Toolbar	3-10
Use the Snap Options to Locate the Top Corners	3-10
Use the Copy Option to Create Additional Edges	3-12
Use the <i>TRIM</i> Command	3-14
Use the View Toolbar	3-16
Dynamic Rotation – Free Orbit	3-16
Use the <i>OFFSET</i> Command to Create Parallel Edges	3-17
Create a Circle Above the UCS Sketch Plane	3-19
Complete the Wireframe Model	3-20
Questions	3-22
Exercises	3-23

Chapter 4

UCS, Viewports and Wireframe Modeling

Introduction	4-2
The V-Block Design	4-2
Starting Up AutoCAD® 2013	4-3
Layers Setup	4-4
Create the Rectangular Base of the Design	4-5
Create a Wireframe Box	4-6
Using the View and UCS Toolbars	4-7
Create Construction Lines in the Front View	4-8
Copy Objects in the Negative Z Direction	4-10
Create an Inclined Line at the Base of the Model	4-11

Create Object Lines	4-12
Multiple Viewports	4-14
Use the <i>MIRROR</i> Command	4-15
Turn <i>OFF</i> the Construction Lines	4-17
Create a New UCS	4-18
Create a New Named View	4-20
Create the V-Cut Feature on the Inclined Plane	4-22
Extend the Cut and GRIP Editing	4-23
Questions	4-25
Exercises	4-26

Chapter 5

3D Surface Modeling

Introduction	5-2
Starting Up AutoCAD® 2013	5-4
Use the UCS Toolbars and the Meshes Commands	5-5
Create a Surface Using the <i>2D SOLID</i> Command	5-5
Using the Visual Styles Toolbar	5-8
Create a Surface Using the <i>3D FACE</i> Command	5-10
The ViewCube	5-12
Create a Surface of Irregular Shape	5-14
Use the <i>Invisible Edge</i> Option	5-16
Repositioning with the Grip Editing Tools	5-17
The <i>Locator</i> Wireframe Model	5-18
Moving Objects to a Different Layer	5-18
Advanced Surface Modeling Commands	5-20
Use the <i>Tabulated Surface</i> Option	5-23
Use the <i>Ruled Surface</i> Option	5-24
Questions	5-27
Exercises	5-28

Chapter 6

Solid Modeling - Constructive Solid Geometry

Introduction	6-2
The Guide-Block Design	6-2
<i>Constructive Solid Geometry</i> Concept	6-3
Binary Tree	6-4
The Guide-Block CSG Binary Tree	6-5
Starting Up AutoCAD® 2013	6-6
Layers Setup	6-7
Create the First 3D object	6-7
Create the Second Solid Feature	6-9
Boolean Operation - <i>UNION</i>	6-10
Create the Second Cylinder Feature	6-11
Boolean Operation - <i>SUBTRACT</i>	6-12
Create another Solid Feature	6-13

Visual Styles Options	6-14
Create the Final Feature	6-15
Rotating the Rectangular Block	6-16
Reposition the Rectangular Block	6-17
The SteeringWheels	6-18
Questions	6-20
Exercises	6-21

Chapter 7

Regions, Extrude and Solid Modeling

Introduction	7-2
The V-BlockSolid Design	7-2
Starting Up AutoCAD® 2013	7-3
Layers Setup	7-4
Setting Up a 2D Sketch	7-5
Defining the Front Edges of the Design	7-7
Create a Region	7-10
Extruding the Created Region	7-11
Create a 2D Sketch at the Base of the Model	7-13
Create a Copy of the 2D Sketch	7-14
Create the Cutter Solids	7-15
Boolean Operation - <i>Subtract</i>	7-16
Mass Properties of the Solid Model	7-17
Align the UCS to the Inclined Face	7-18
Create the <i>V-Cut</i>	7-19
Questions	7-22
Exercises	7-23

Chapter 8

Multiview Drawings from 3D Models

Introduction	8-2
The V-Block Design	8-2
Starting Up AutoCAD® 2013	8-3
AutoCAD Paper Space	8-4
Delete the Displayed Viewport	8-5
Adding Borders and Title Block in the Layout	8-6
Setting Up Viewports inside the Title Block	8-7
Setting Up the Standard Views	8-8
Determine the Necessary 2D Views	8-10
Establish an Auxiliary View in Model Mode	8-11
Add a Viewport for an Auxiliary View	8-13
Use the <i>DVIEW</i> Command	8-16
Adjust the Viewport Scale	8-17
Lock the Base View	8-18
Align the 2D Views	8-18
Create 2D Projected Entities - SOLPROF	8-21

Complete the 2D Drawing	8-23
Questions	8-25
Exercises	8-26

Chapter 9

Symmetrical Features in Designs

Introduction	9-2
A Revolved Design: PULLEY	9-2
Modeling Strategy - A Revolved Design	9-3
Starting Up AutoCAD® 2013	9-4
Layers Setup	9-5
Set Up a 2D Sketch for the Revolved Feature	9-6
Perform 2D Boolean Operations	9-8
Create the Revolved Feature	9-12
Mirror image of the Part	9-13
Combine two Parts into one	9-14
Use the 3D Array command	9-15
Position and Perform the Cut	9-18
Questions	9-20
Exercises	9-21

Chapter 10

Advanced Modeling Tools & Techniques

Introduction	10-2
A Thin-walled Design: OIL SINK	10-2
Modeling Strategy	10-3
Starting Up AutoCAD® 2013	10-4
Layers Setup	10-5
The First Extruded Feature	10-6
Create an Offset Geometry from an Extracted Surface	10-8
Extrude with Draft Angle	10-10
Align the Parts	10-11
Create another Extracted Surface	10-12
Combining Parts – Boolean UNION	10-15
Create 3D Rounds and Fillets	10-16
Create a Shell Feature	10-18
Create a Rectangular Array Cut Feature	10-19
Create another Rectangular Array Cut Feature	10-21
Making a Design Change	10-23
Grip Editing Approach	10-23
Dynamic UCS Approach	10-24
Questions	10-27
Exercises	10-28

Chapter 11**Conceptual Design Tools & Techniques**

Introduction	11-2
A Bird House Design	11-3
Starting Up AutoCAD® 2013	11-4
Layers Setup	11-5
The Base Plate	11-6
Create the 1 st Floor Inside Compartments	11-7
Create a Solid Feature Using the Press/Pull Command	11-8
Using the Press/Pull Command as an Editing Tool	11-10
Create another Cut Feature	11-11
Adjust the Compartments	11-13
Add Additional Compartments	11-14
Create the Doors	11-15
Create the 2 nd Floor	11-16
Reposition the 2 nd Floor	11-18
Modeling the Roof Section with the Press/Pull Command	11-19
Using the Imprint Command	11-21
Questions	11-24
Exercises	11-25

Chapter 12**Introduction to Photorealistic Rendering**

Introduction	12-2
Starting Up AutoCAD® 2013 and retrieve the Pulley design	12-3
Environment Setup	12-4
Use the Render command	12-7
Available Lighting Simulation Modes in AutoCAD	12-8
Use the Materials Options	12-9
Activate the Sun & Sky Background option	12-11
Add Additional Walls	12-14
Create a Point Light	12-17
Changing the Applied Materials	12-19
Create a Spotlight	12-20
Removing a Light	12-22
Create a Distant Light	12-23
Create New Materials	12-26
Save the Rendered Images	12-29
Conclusion	12-30
Questions	12-31
Exercises	12-32

Index