

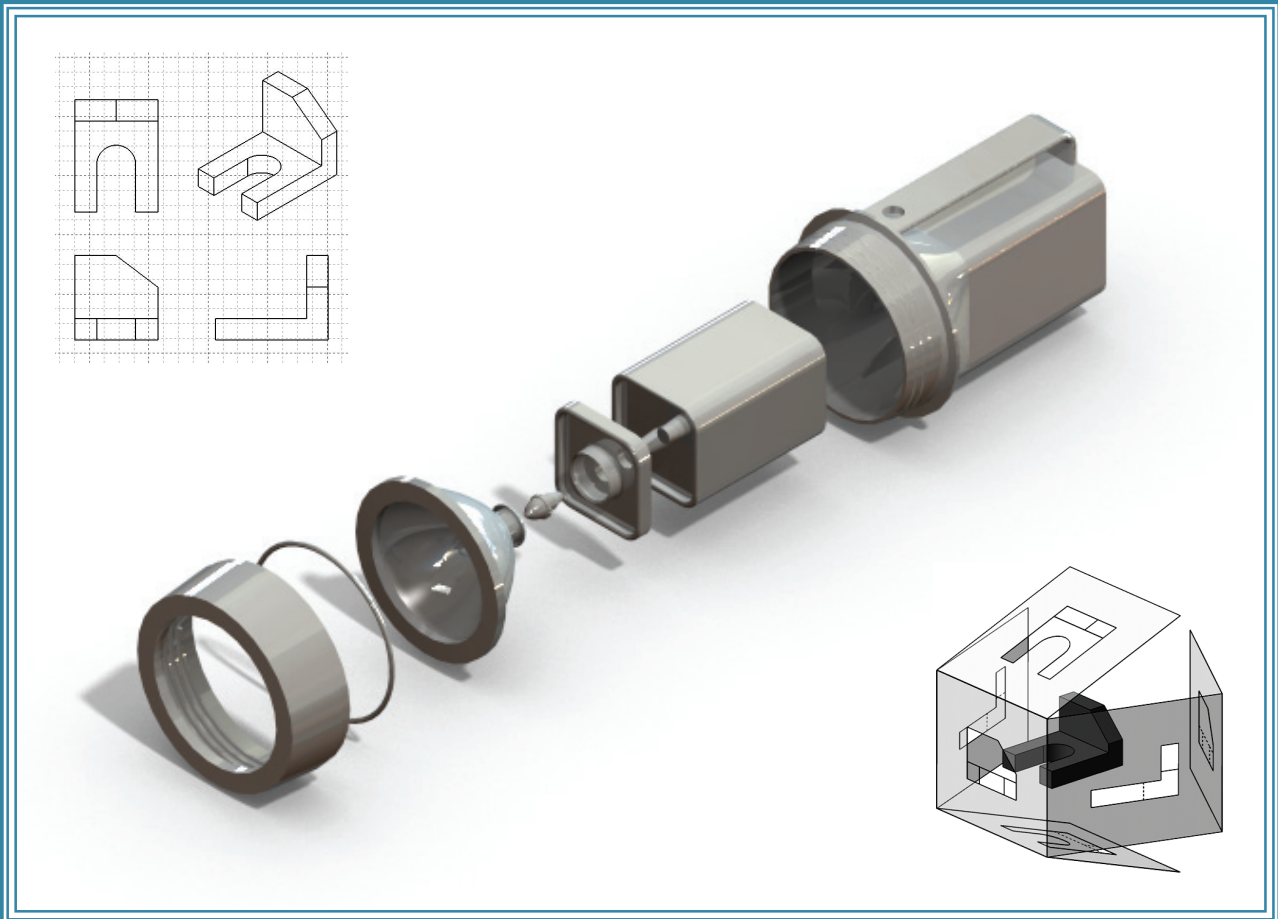
INSIDE:



Engineering Graphics with SolidWorks 2012 and Video Instruction DVD

A Step-by-Step Project Based Approach

Introductory Level ♦ Tutorial Style ♦ Video Instruction



David C. Planchard & Marie P. Planchard CSWP



SDC
PUBLICATIONS

www.SDCpublications.com

Schroff Development Corporation



Solution
Partner

Visit the following websites to learn more about this book:



[amazon.com](https://www.amazon.com)

[BARNES & NOBLE](https://www.barnesandnoble.com)

[Google books](https://books.google.com)

TABLE OF CONTENTS

Introduction	I-1
About the Cover	I-2
About the Authors	I-2
Dedication	I-3
Contact the Authors	I-3
Note to Instructors	I-4
Trademarks, Disclaimers, and Copyrighted Material	I-4
References	I-4
Table of Contents	I-6
Overview of Chapters	I-13
Chapter 1: History of Engineering Graphics	I-13
Chapter 2: Isometric Projection and Multi View Drawings	I-13
Chapter 3: Dimensioning Practices, Tolerancing and Fasteners	I-13
Chapter 4: Introduction to SolidWorks Part Modeling	I-14
Chapter 5: Revolved Boss/Base Features	I-14
Chapter 6: Swept Boss/Base and Loft Boss/Base Features	I-14
Chapter 7: Assembly Fundamentals: Bottom-up method	I-15
Chapter 8: Drawing Fundamentals	I-15
Chapter 9: Introduction to the CSWA exam	I-15
About the Book	I-16
Windows Terminology in SolidWorks	I-17
Chapter 1 - History of Engineering Graphics	1-1
Chapter Overview	1-3
History of Engineering Graphics	1-3
2D Cartesian Coordinate System	1-6
3D Cartesian Coordinate System	1-7
Absolute Coordinates	1-9
Relative Coordinates	1-9
Polar Coordinates	1-10
Cylindrical and Spherical Coordinates	1-10
Free Hand Sketching	1-11
General Sketching Techniques	1-12
Geometric Entities	1-13
Points	1-13
Lines	1-13
Planes	1-14
Circles	1-14
Arcs	1-15
Solid Primitives	1-15
Alphabet of Lines	1-16
Precedence of Line Types	1-22
Alphabet of Lines - Exercises	1-24
Orthographic Projection	1-26
Glass Box Method	1-27
Six Principal Orthographic Views	1-27
Height, Width, and Depth Dimensions	1-30

Transferring Dimensions	1-30
Orthographic Projection - Exercises	1-32
Planes (Normal, Inclined and Oblique)	1-37
Plane - Exercises	1-38
Chapter Summary	1-44
Chapter Terminology	1-44
Questions/Exercises	1-46
Chapter 2 - Isometric Projection and Multi View Drawings	2-1
Chapter Overview	2-3
Isometric Projections	2-3
Isometric Sketching	2-5
Circles drawn in Axonometric Views	2-7
Additional Projections	2-9
Arrangement of Views	2-13
Two View drawing	2-14
One View drawing	2-16
Drawing - Exercises	2-19
Drawing views - Advanced	2-21
Section View	2-21
Detail View	2-23
Broken out View	2-24
Break or Broken View	2-25
Crop View	2-26
Auxiliary View	2-27
Exercises	2-27
History of Computer Aided Design (CAD)	2-28
Boolean operation	2-29
What is SolidWorks?	2-31
Design Intent	2-33
Design Intent in the Sketch	2-33
Design Intent in the Feature	2-34
Design Intent in the Part	2-35
Design Intent in the Assembly	2-35
Design Intent in the Drawing	2-35
Chapter Summary	2-36
Chapter Terminology	2-36
Questions/Exercises	2-39
Chapter 3 - Dimensioning Practices, Tolerancing and Fasteners	3-1
Chapter Overview	3-3
Size and Location Dimensions	3-3
Dimensioning Systems	3-4
Standards for Dimensioning	3-5
Part / Construction Dimensions	3-5
Two Place Decimal Dimensions	3-6
Size Dimensions	3-6
Continuous Dimensions	3-7
Other Dimension Placements	3-8
Dimension - Exercises	3-10
Dimensioning Cylinders	3-12

Dimensioning a Simple Hole	3-14
Dimensioning Angles	3-15
Dimensioning a Point or a Center	3-16
Dimensioning equally spaced holes on a Circle	3-16
Dimensioning Holes not on a circle	3-17
Dimensioning Arcs	3-17
Dimensioning Chamfers	3-18
Dual Dimensioning	3-18
Dimension - Exercises	3-19
Precision and Tolerance	3-22
Tolerance for a drawing	3-22
General Tolerance - Title Block	3-22
Local Tolerance - Dimension	3-23
Limit Tolerance	3-23
Unilateral Tolerance	3-24
Bilateral Tolerance	3-24
Formatting inch Tolerance	3-24
Metric Dimension Specifications	3-25
General Nomenclature	3-25
Fit - Hole Tolerance	3-26
Fit between Mating Parts	3-26
Clearance Fit	3-27
Interference Fit	3-27
Transition Fit	3-27
Line Fit	3-27
Fasteners in General	3-28
Representing External (Male) Threads	3-28
Cutting External (Male) Threads	3-29
Die	3-29
Lathe	3-29
Representing Internal (Female) Threads	3-30
Cutting Internal (Female) Threads	3-30
Taper	3-31
Plug	3-31
Bottoming	3-31
American National Standard and Unified Screw threads	3-32
Single vs. Double or Triple Threads	3-32
Pitch and Major Diameter	3-33
Thread Class of Fit	3-33
Class 1	3-33
Class 2	3-33
Class 3	3-33
General Thread Notes	3-34
Dimensioning a CounterBore Hole	3-35
Dimensioning a CounterSink Hole	3-35
Chapter Summary	3-36
Chapter Terminology	3-38
Questions / Exercises	3-39

Chapter 4 - Introduction to SolidWorks Part Modeling	4-1
Chapter Overview	4-3
File Management	4-4
Start a SolidWorks 2012 Session	4-5
SolidWorks UI and CommandManager	4-6
Menu bar toolbar	4-6
Menu bar menu	4-6
Drop-down menu	4-7
Right-click Context toolbar	4-7
Fly-out tool buttons / Consolidated menu	4-7
System feedback icons	4-8
Confirmation Corner	4-8
Heads-up View toolbar	4-8
CommandManager	4-11
FeatureManager Design Tree	4-15
Fly-out FeatureManager	4-17
Task Pane	4-18
SolidWorks Resources	4-18
Design Library	4-18
File Explorer	4-19
View Palette	4-19
Appearances, Scenes, and Decals	4-20
Custom Properties	4-20
Document Recover	4-20
Motion Study tab	4-21
Create a New Part	4-22
Part Template	4-27
BATTERY Part	4-32
BATTERY Part-Extruded Boss/Base Feature	4-34
BATTERY Part-Fillet Feature	4-38
BATTERY Part-Extruded Cut Feature	4-40
BATTERY Part-Second Fillet Feature	4-42
BATTERY Part Extruded Boss/Base Feature	4-43
BATTERYPLATE Part	4-49
Save As, Delete, Modify, and Edit Feature	4-50
BATTERYPLATE Part-Extruded Boss/Base Feature	4-52
BATTERYPLATE Part-Fillet Features: Full Round, Multiple Radius Options	4-53
Multi-body Parts and Extruded Boss Feature	4-56
Chapter Summary	4-57
Chapter Terminology	4-58
Questions / Exercises	4-61
Chapter 5 - Revolved Features	5-1
Chapter Overview	5-3
LENS Part	5-4
LENS Part Revolved Boss/Base Feature	5-7
LENS Part-Shell Feature	5-8
LENS Part-Extruded Boss/Base Feature and Convert Entities Sketch tool	5-9
LENS Part-Extruded Boss/Base Feature	5-9
LENS Part-Hole Wizard Feature	5-10
LENS Part-Revolved Boss Thin Feature	5-13

LENS Part-Extruded Boss/Base Feature and Offset Entities	5-15
LENS Part-Extruded Boss/Base Feature and Transparent Optical Property	5-17
LENS Part-Transparent Optical Property	5-17
BULB Part	5-19
BULB Part-Revolved Base Feature	5-20
BULB Part-Revolved Boss Feature and Spline Sketch tool	5-22
BULB Part-Revolved Cut Thin Feature	5-24
BULB Part-Dome Feature	5-26
BULB Part-Circular Pattern Feature	5-27
BULB Part-Seed Cut Feature	5-29
BULB Part-Extruded Cut Feature	5-29
BULB Part-Circular Pattern Feature	5-30
Customizing Toolbars and Short Cut Keys	5-31
Chapter Summary	5-33
Chapter Terminology	5-33
Questions / Exercises	5-35
Chapter 6 - Swept, Loft, and Additional Features	6-1
Chapter Overview	6-3
O-RING Part	6-4
O-RING Part-Swept Base Feature	6-4
SWITCH Part	6-7
SWITCH Part-Loft Base Feature	6-8
SWITCH Part-Shape Feature	6-12
Four Major Categories of Solid Features	6-14
LENSCAP Part	6-15
LENSCAP Part-Extruded Boss/Base Feature	6-16
LENSCAP Part-Extruded Cut Feature	6-16
LENSCAP Part-Shell Feature	6-16
LENSCAP Part-Revolved Cut Thin Feature	6-19
LENSCAP Part-Thread Path Feature	6-20
LENSCAP Part-Helix/Spiral Curve Feature	6-20
LENSCAP Part-Swept Boss Feature	6-20
HOUSING Part	6-26
HOUSING Part-Extruded Boss/Base Feature	6-27
HOUSING Part-Loft Boss Feature	6-29
HOUSING Part-First Extruded Boss/Base Feature	6-33
HOUSING Part-Shell Feature	6-34
HOUSING Part-Second Extruded Boss/Base Feature	6-35
HOUSING Part-Draft Feature	6-36
HOUSING Part-Thread Feature	6-37
HOUSING Part-Swept Boss Feature	6-37
HOUSING Part-Handle Swept Boss Feature	6-41
HOUSING Part-Extruded Cut Feature with UpToSurface Option	6-48
HOUSING Part-First Rib Feature	6-50
HOUSING Part-Linear Pattern Feature	6-50
HOUSING Part-Second Rib Feature	6-53
HOUSING Part-Mirror Feature	6-57
Chapter Summary	6-59
Chapter Terminology	6-59
Questions / Exercises	6-61

Chapter 7 - Assembly Modeling	7-1
Chapter Overview	7-3
Assembly Modeling Overview	7-4
FLASHLIGHT Assembly	7-6
Assembly Techniques	7-7
Assembly Template	7-8
Assembly Templates-ASM-IN-ANSI	7-8
Assembly Templates-ASM-MM-ISO	7-9
LENSANDBULB Sub-assembly	7-9
BATTERYANDPLATE Sub-assembly	7-13
CAPANDLENS Sub-assembly	7-15
FLASHLIGHT Assembly	7-19
FLASHLIGHT Assembly-Interference Issues	7-25
FLASHLIGHT Assembly-Exploded View	7-26
FLASHLIGH Assembly-Export Files and eDrawings	7-29
Chapter Summary	7-32
Chapter Terminology	7-32
Questions / Exercises	7-34
Chapter 8 - Fundamentals of Drawing	8-1
Chapter Overview	8-3
New Drawing and the Drawing Template	8-4
Title Block	8-7
Company Logo and Save Sheet Format	8-11
BATTERY Drawing	8-15
BATTERY Drawing - Insert a View	8-16
BATTERY Drawing - Detail View	8-19
BATTERY Drawing - View Display	8-20
BATTERY Drawing - Insert Model Items and Move Dimensions	8-21
BATTERY Drawing - Insert a Note	8-23
New Assembly Drawing and Exploded View	8-25
FLASHLIGHT Drawing - Bill of Materials	8-27
FLASHLIGHT Drawing-Balloons	8-29
Part Numbers	8-29
FLASHLIGHT Drawing - ConfigurationManager	8-30
FLASHLIGHT Drawing - Update the Bill of Materials	8-30
O-RING Part - Design Table	8-32
O-RING Drawing	8-34
O-RING Drawing - Design Table	8-35
Chapter Summary	8-36
Chapter Terminology	8-36
Questions / Exercises	8-38
Chapter 9 - Introduction to the Certified SolidWorks Associate Exam	9-1
Chapter Objective	9-3
Introduction	9-3
Intended Audience	9-3
CSWA Exam Content	9-5
About the Exam	9-9
Exam day	9-9
Drafting Competencies	9-14

Basic and Intermediate Part Creation and Modification	9-16
Advanced Part Creation and Modification	9-22
Assembly Creation and Modification	9-28

Appendix

ECO Form	A-1
Types of Decimal Dimensions (ASME Y14.5M)	A-2
SolidWorks Keyboard Shortcuts	A-3
Windows Shortcuts	A-3
Helpful On-Line information	A-4

Index

I-1

Copy the model folders from the Video Instruction DVD to your local hard drive. Work from your local hard drive. View the 1.5 hour Video Instruction DVD for additional help.

Additional projects are included in the exercise section of Chapter 7. Copy the components from the Chapter 7 Homework folder located on the DVD. View all components. Create an ANSI Assembly document. Insert and create all needed components and mates to assemble the assembly and to simulate proper movement per the provided avi file located in the folders.

