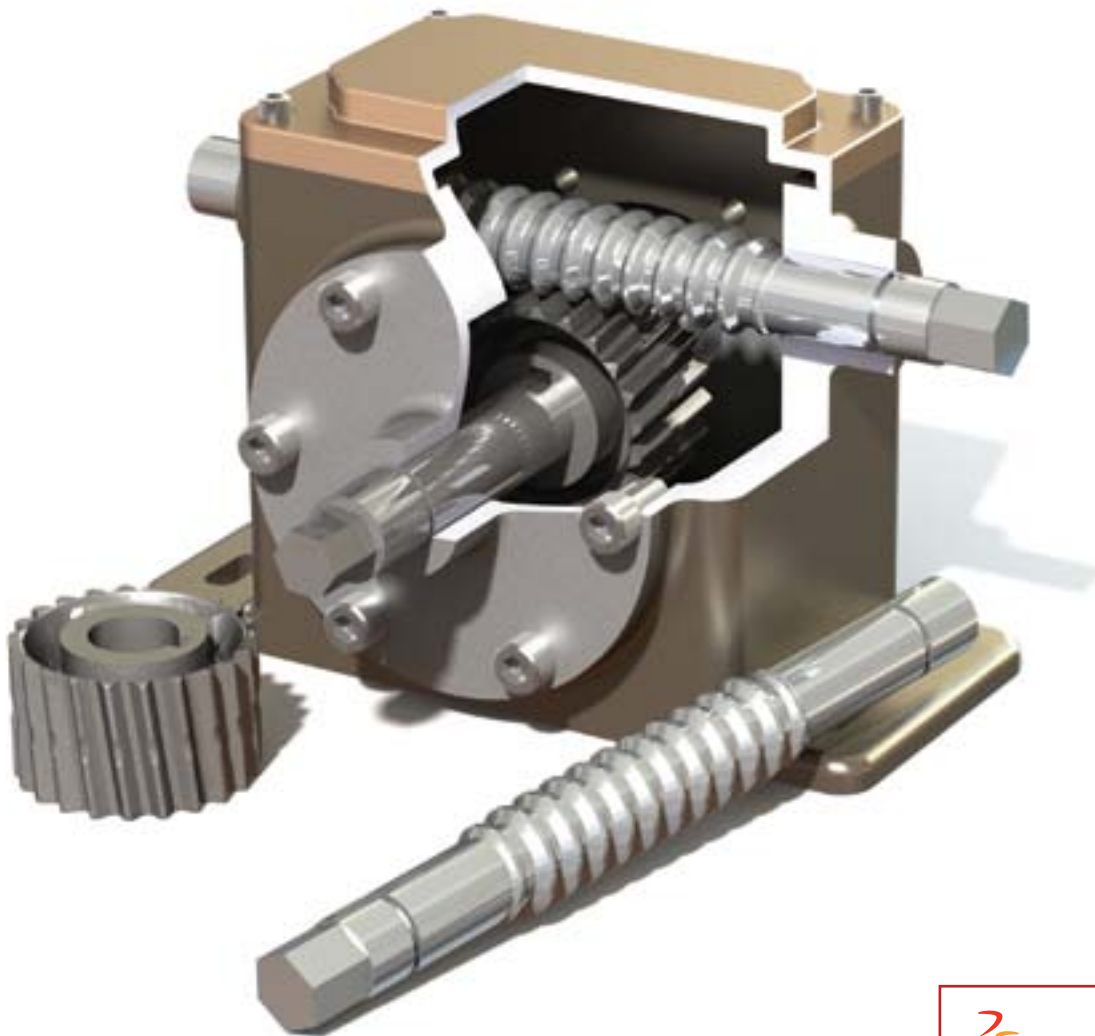


Beginner's Guide to SolidWorks® 2012 – Level I

Alejandro Reyes, MSME, CSWP, CSWI



Visit the following websites to learn more about this book:



[amazon.com](https://www.amazon.com)

[BARNES & NOBLE](https://www.barnesandnoble.com)

[Google books](https://books.google.com)

Table of Contents

Introduction	1
Prerequisites.....	1
The SolidWorks Interface	3
Part Modeling	9
The Housing.....	11
The Side Cover.....	79
The Top Cover.....	95
The Offset Shaft.....	119
The Worm Gear.....	143
The Worm Gear Shaft.....	157
Special Features: Sweep and Loft	165
Sweep: Cup and Springs.....	167
Loft: Bottle.....	189
Detail Drawing	203
Drawing One: The Housing.....	205
Drawing Two: The Side Cover.....	233
Drawing Three: The Top Cover.....	245
Drawing Four: The Offset Shaft.....	259
Drawing Five: The Worm Gear.....	267
Drawing Six: The Worm Gear Shaft.....	279
Assembly Modeling	287
The Gear Housing Assembly.....	289
SmartMates.....	313
Fasteners.....	326
Configurations using Design Tables.....	333
Interference Detection.....	343
Exploded View.....	347
Assembly and Design Table Drawings.....	353
Analysis: SimulationXpress	361
A final word on analysis.....	383
Collaboration: eDrawings	385
How to collaborate with non-SolidWorks users.....	385
Final Comments	389
Appendix	391
Index	397