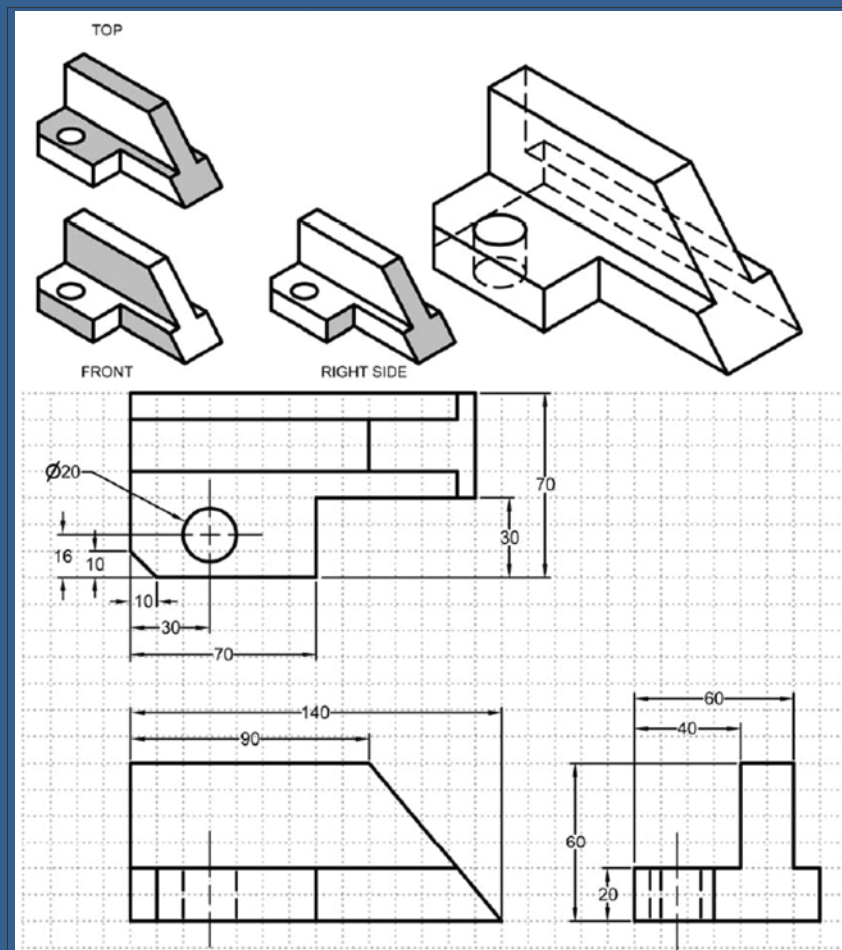


ENGINEERING GRAPHICS ESSENTIALS

with AutoCAD® 2012 Instruction

Introduction to AutoCAD • Engineering Graphics Principles • Hand Sketching

Text and Independent Learning CD



Kirstie Plantenberg
University of Detroit Mercy

Independent
Learning CD:



SDC
PUBLICATIONS

www.SDCpublications.com

Schroff Development Corporation

TABLE OF CONTENTS

Chapter 1: Drawing In AutoCAD

Chapter 2: Orthographic Projection

Chapter 3: Creating Orthographic Projections in AutoCAD

Chapter 4: Dimensioning

Chapter 5: Dimensioning in AutoCAD

Chapter 6: Sectioning

Chapter 7: Creating Section Views in AutoCAD

Chapter 8: Tolerancing

Chapter 9: Tolerancing in AutoCAD

Chapter 10: Threads and Fasteners

Chapter 11: Drawing Threads in AutoCAD

Chapter 12: Assembly Drawings

Chapter 13: Creating Assembly Drawings in AutoCAD

Chapter 14: Pictorial Drawings

Chapter 15: Creating Isometric Pictorials in AutoCAD

Appendix A: Limits and Fits

Appendix B: Threads and Fastener Tables

Appendix C: References

DRAWING IN AUTOCAD

CHAPTER OUTLINE

1.1) INTRODUCTION	5
1.1.1) Navigating through the AutoCAD Tutorials	5
1.2) AUTOCAD'S WORKSPACES AND USER INTERFACE	7
1.3) THE DRAWING AREA.....	9
1.4) ACCESSING AUTOCAD COMMANDS	12
1.4.1) Application Button.....	12
1.4.2) Pull-down Menus (AutoCAD Classic workspace)	13
1.4.3) The Ribbon	13
1.4.4) Toolbars (AutoCAD Classic workspace)	15
1.4.5) Tool Palettes.....	18
1.4.6) Command Prompt / Window	19
1.4.7) Shortcut Menus	20
1.4.8) Application Status Bar	21
1.5) STANDARD AND QUICK ACCESS TOOLBARS	22
1.5.1) Starting a new drawing	23
1.6) CUSTOMIZE USER INTERFACE (CUI).....	25
1.7) USER INTERFACE AND STARTUP TUTORIAL.....	25
1.7.1) Setting up the user interface	25
1.7.2) Starting a new drawing	28
1.7.3) Saving your drawing as a template	30
1.7.4) Checking your drawing parameters.....	30
1.8) COORDINATES	31
1.8.1) Cartesian and Polar Coordinates	31
1.8.2) Cartesian Coordinate System	31
1.8.3) Polar Coordinates.....	32
1.8.4) Relative Coordinates	34
1.8.5) World Coordinate System (WCS) and User Coordinate System (UCS).....	34
1.8.6) The Coordinates Panel.....	36
1.8.7) Coordinate Position	37
1.9) WCS/UCS COORDINATE SYSTEMS TUTORIAL.....	38
1.9.1) Coordinates	38
1.9.2) Change to the <i>User Coordinate System</i> (UCS)	39

1.9.3) Coordinate display and drawing	40
1.9.4) Drawing using the UCS coordinate system.....	40
1.10) DRAWING USING COORDINATES TUTORIAL.....	41
1.10.1) Drawing a rectangle using Cartesian coordinates.....	42
1.10.2) Drawing using relative polar coordinates	44
1.10.3) Drawing using both Cartesian and polar coordinates	45
1.11) PRINTING.....	47
1.11.1) Page Setup.....	49
1.11.2) Plot.....	50
1.11.3) Printing to Scale	51
1.12) PRINTING TUTORIAL.....	51
1.12.1) Creating the drawing	51
1.12.2) Printing.....	52
1.12.3) Printing to scale	54
1.12.4) Printing to PDF	56
1.13) DRAW COMMANDS	56
1.13.1) Line	57
1.13.2) Construction Line.....	57
1.13.3) Ray	58
1.13.4) Polyline	58
1.13.5) Polygon.....	59
1.13.6) Rectangle	59
1.13.7) Arc	60
1.13.8) Circle.....	60
1.13.9) Spline.....	61
1.13.10) Ellipse	62
1.13.11) Point.....	62
1.14) TEXT.....	63
1.14.1) Style.....	64
1.14.2) Single-Line Text.....	64
1.14.3) Multi-Lined Text.....	65
1.15) MODIFY COMMANDS	66
1.15.1) Selecting Objects.....	67
1.15.2) Erase	67
1.15.3) Copy	67
1.15.4) Mirror	68
1.15.5) Offset	69
1.15.6) Array	70
1.15.7) Move.....	72

1.15.8) Rotate	73
1.15.9) Scale	74
1.15.10) Stretch	75
1.15.11) Lengthen	75
1.15.12) Trim	76
1.15.13) Extend	76
1.15.14) Break	77
1.15.15) Join	78
1.15.16) Chamfer	79
1.15.17) Fillet	79
1.15.18) Blend Curves	80
1.15.19) Explode	80
1.16) OBJECT SNAP COMMANDS	80
1.16.1) Endpoint	81
1.16.2) Midpoint	81
1.16.3) Intersection	82
1.16.4) Apparent Intersection	82
1.16.5) Extension	82
1.16.6) Center	83
1.16.7) Quadrant	83
1.16.8) Tangent	84
1.16.9) Perpendicular	84
1.16.10) Parallel	84
1.16.11) Nearest	85
1.16.12) Snap From	85
1.16.13) Insert	85
1.16.14) Node	86
1.16.15) Object Snaps Settings	86
1.16.16) Object Snap Cycling and Aperture	87
1.17) WAGON TUTORIAL	88
1.17.1) Preparing to draw	88
1.17.2) Drawing	89
1.17.3) Using <i>Modify</i> commands	93
1.18) SELECTING OBJECTS	95
1.19) OBJECT SELECTION TUTORIAL	97
1.19.1) Selecting objects using the pickbox	97
1.19.2) Selecting objects using a window	99
1.20) OBJECT SNAP TUTORIAL	101
1.20.1) Drawing using Osnaps	101

1.20.2) Trimming unwanted lines.....	109
1.21) POLAR TRACKING	110
1.22) OBJECT SNAP TRACKING.....	111
1.23) TRACKING TUTORIAL	111
1.23.1) Polar tracking.....	112
1.24) DYNAMIC INPUT	116
1.25) DYNAMIC INPUT TUTORIAL	117
1.25.1) Dynamic input settings	118
1.26) GRIP BOXES.....	120
1.27) GRIP BOX TUTORIAL	121
1.27.1) Preparing to draw	121
1.27.2) Fixing the drawing	122
1.27.3) Modifying the drawings shape	125
1.28) PARAMETRIC DRAWING.....	127
1.28.1) Geometric Constraints	128
1.28.2) Dimensional Constraints.....	129
1.29) APPLYING PARAMETRIC CONSTRAINTS TUTORIAL	129
1.29.1) Applying geometric constraints	129
1.29.2) Applying Dimensional Constraints.....	133
1.30) AUTOMATIC PARAMETRIC CONSTRAINTS TUTORIAL.....	135
DRAWING IN AUTOCAD CROSSWORD PUZZLES.....	139
DRAWING IN AUTOCAD PROBLEMS.....	151

ORTHOGRAPHIC PROJECTION

CHAPTER OUTLINE

2.1) INTRODUCTION TO ENGINEERING GRAPHICS	3
2.2) ORTHOGRAPHIC PROJECTION INTRODUCTION	3
2.2.1) The Six Principle Views	4
2.3) THE GLASS BOX METHOD	5
2.4) THE STANDARD VIEWS	8
2.4.1) The Front View	8
2.5) LINE TYPES USED IN AN ORTHOGRAPHIC PROJECTION	8
2.6) RULES FOR LINE CREATION AND USE	10
2.6.1) Hidden Lines	10
2.6.2) Center Lines	11
2.6.3) Phantom Lines	13
2.6.4) Break Lines	15
2.6.5) Line Type Precedence	15
2.7) CREATING AN ORTHOGRAPHIC PROJECTION	16
2.7.1) Projection Symbol	17
2.8) AUXILIARY VIEWS	30
ORTHOGRAPHIC PROJECTION CROSSWORD PUZZLE	35
ORTHOGRAPHIC PROJECTION PROBLEMS	37

CREATING ORTHOGRAPHIC PROJECTIONS IN AUTOCAD

CHAPTER OUTLINE

3.1) INTRODUCTION	3
3.2) LAYERS	3
3.2.1) The <i>Layers</i> panel.....	6
3.2.2) Layer Properties	7
3.3) LINE TYPE SCALE	9
3.4) PROPERTIES.....	10
3.4.1) The <i>Properties</i> panel	11
3.5) PRINTING USING PEN WIDTHS.....	12
3.6) CREATING LAYERS TUTORIAL	13
3.6.1) Setting drawing parameters	13
3.6.2) Creating layers	13
3.6.3) Drawing on different layers.....	15
3.6.4) Line type scale.....	16
3.7) TITLE BLOCKS.....	17
3.7.1) Title Block Contents.....	17
3.7.2) Date	17
3.7.3) Sheet Layout	17
3.8) BLOCKING	19
3.9) TITLE BLOCK TUTORIAL.....	22
3.9.1) Drawing the Border.....	22
3.9.2) Framing in the title block.....	24
3.9.3) Filling in the title block text	25
3.9.4) Blocking the title block and border	27
3.10) MODEL AND LAYOUT SPACE.....	28
3.10.1) Model Space.....	28
3.10.2) Layout Space.....	28
3.11) ORTHOGRAPHIC PROJECTION TUTORIAL	30
3.11.1) Draw the front view.....	30
3.11.2) Drawing the right side view	32
3.11.3) Drawing the top view	34

3.11.4) Drawing centerlines	35
3.11.5) Printing the layout.....	37
3.11.6) Printing a metric drawing.....	43
3.12) AUXILIARY VIEW TUTORIAL	45
3.12.1) Drawing the orthographic projection.....	46
3.12.2) Creating the auxiliary view	47
ORTHOGRAPHIC PROJECTIONS IN AUTOCAD CROSSWORD PUZZLE	51
ORTHOGRAPHIC PROJECTIONS IN AUTOCAD PROBLEMS	53

DIMENSIONING

CHAPTER OUTLINE

4.1) DETAILED DRAWINGS	3
4.2) LEARNING TO DIMENSION.....	4
4.3) DIMENSION APPEARANCE AND TECHNIQUES.....	4
4.3.1) Lines Used in Dimensioning	4
4.3.2) Types of Dimensions	6
4.3.3) Lettering	6
4.3.4) Dimensioning Symbols	7
4.3.5) Dimension Spacing and Readability.....	7
4.3.6) Dimension Placement.....	9
4.4) DIMENSIONING AND LOCATING SIMPLE FEATURES	14
4.5) DIMENSIONING AND LOCATING ADVANCED FEATURES	19
4.5.1) Drawing Notes	24
4.6) DIMENSION CHOICE	27
4.6.1) Units and Decimal Places.....	27
4.6.2) Locating Features Using Datums	28
4.6.3) Dimension Accuracy	30
4.6.4) Rounding off.....	31
4.6.5) Cumulative Tolerances (Error Buildup).....	32
DIMENSIONING CROSSWORD PUZZLE	47
DIMENSIONING PROBLEMS.....	49

DIMENSIONING IN AUTOCAD

CHAPTER OUTLINE

5.1) INTRODUCTION	3
5.2) DIMENSION COMMANDS.....	4
5.2.1) Dimensions panel	4
5.2.2) The Leaders Panel.....	6
5.3) DIMENSION STYLES	7
5.3.1) Dimension Style Manager.....	7
5.3.2) Multileader Style Manager	8
5.4) DIMENSION VARIABLES.....	9
5.4.1) Dimension Scale	9
5.4.2) Dimension and Extension Lines	9
5.4.3) Dimension Text.....	10
5.4.4) Diameter and Radial Dimensions	10
5.4.5) Angular Dimensions.....	10
5.4.6) Alternative Units.....	11
5.4.7) Toleranced Dimensions	11
5.4.8) Miscellaneous	11
5.5) THE DIM PROMPT.....	11
5.5.1) Creating Dimensions from the <i>Dim</i> Prompt.....	11
5.6) ASSOCIATIVE DIMENSIONS.....	12
5.7) ANNOTATIVE OBJECTS	12
5.7.1) Annotative Object Scale	14
5.8) DIMENSIONING TUTORIAL.....	15
5.8.1) Drawing the object	15
5.8.2) Drawing linear dimensions.....	16
5.8.3) Drawing diameter and radius dimensions	17
5.8.4) Drawing angular dimensions	18
5.8.5) Drawing leaders	18
5.8.6) Creating a new dimension style.....	19
5.8.7) Annotative objects.....	26
5.8.8) Dimension scale and associativity	30
5.9) EDITING DIMENSION TEXT TUTORIAL	33

DIMENSIONING IN AUTOCAD CROSSWORD PUZZLE 37
DIMENSIONING IN AUTOCAD PROBLEMS 39

SECTIONING

CHAPTER OUTLINE

6.1) SECTIONAL VIEWS.....	3
6.1.1) Creating a Section View	3
6.1.2) Lines used in Sectional Views	5
6.1.3) Rules of Sectioning.....	6
6.2) BASIC SECTIONS	7
6.2.1) Full Section	7
6.2.2) Half Section.....	7
6.3) ADVANCED SECTIONS	17
6.3.1) Aligned Section	17
6.3.2) Rib and Web Sections	18
6.3.3) Broken Section.....	19
6.3.4) Removed Section.....	19
6.3.5) Revolved Section	20
6.3.6) Non-Sectioned Parts.....	20
6.3.7) Thin Sections	20
SECTIONING CROSSWORD PUZZLE	23
SECTIONING PROBLEMS	25

CREATING SECTION VIEWS IN AUTOCAD

CHAPTER OUTLINE

7.1) INTRODUCTION	3
7.2) CUTTING PLANE LINES	3
7.3) HATCHES.....	4
7.4) CREATING HATCHES TUTORIAL	7
7.4.1) Creating hatches	7
7.4.2) Changing hatch properties	9
7.5) HALF SECTION TUTORIAL	10
7.5.1) Inserting the cutting plane line.....	10
7.5.2) Creating the half section view	14
SECTION VIEWS IN AUTOCAD CROSSWORD PUZZLE	17
SECTION VIEWS IN AUTOCAD PROBLEMS	19

TOLERANCING

CHAPTER OUTLINE

8.1) TOLERANCING AND INTERCHANGEABILITY	3
8.2) TOLERANCING STANDARDS.....	3
8.3) TOLERANCE TYPES.....	4
8.4) SHAFT-HOLE ASSEMBLY.....	5
8.5) INCH TOLERANCES	5
8.5.1) Types of Fits	7
8.5.2) ANSI Standard Limits and Fits (English)	8
8.6) METRIC TOLERANCES	15
8.6.1) ANSI Standard Limits and Fits (Metric)	17
8.6.2) Tolerance Designation.....	17
8.6.3) Basic Hole and Basic Shaft Systems.....	18
8.7) SELECTING TOLERANCES	19
8.8) TOLERANCE ACCUMULATION	20
8.9) FORMATTING TOLERANCES	23
8.9.1) Metric Tolerances	23
8.9.2) Inch Tolerances	24
TOLERANCING CROSSWORD PUZZLE (Inch)	25
TOLERANCING CROSSWORD PUZZLE (Metric)	27
TOLERANCING PROBLEMS	29

TOLERANCING IN AUTOCAD

CHAPTER OUTLINE

9.1) INTRODUCTION	3
9.2) TOLERANCE PARAMETERS	3
9.3) TOLERANCING TUTORIAL	5
9.3.1) Drawing the object	5
9.3.2) Tolerancing	6
TOLERANCING IN AUTOCAD CROSSWORD PUZZLE.....	9
TOLERANCING IN AUTOCAD PROBLEMS.....	11

THREADS AND FASTENERS

CHAPTER OUTLINE

10.1) FASTENERS	3
10.2) SCREW THREAD DEFINITIONS.....	3
10.3) TYPES OF THREAD	6
10.4) MANUFACTURING SCREW THREADS.....	6
10.5) DRAWING SCREW THREADS	7
10.5.1) Detailed Representation	7
10.5.2) Schematic Representation.....	7
10.5.3) Simplified Representation.....	8
10.6) UNIFIED THREADS	10
10.6.1) Unified Thread Note.....	10
10.6.2) Unified Thread Tables	12
10.7) METRIC THREADS.....	13
10.7.1) Metric thread note.....	13
10.7.2) Metric Thread Tables	14
10.8) DRAWING BOLTS	15
10.9) BOLT AND SCREW CLEARANCES.....	15
THREAD AND FASTENER CROSSWORD PUZZLE	19
THREAD AND FASTENER PROBLEMS	21

DRAWING THREADS IN AUTOCAD

CHAPTER OUTLINE

11.1) INTRODUCTION	3
11.2) EXTERNAL THREADS TUTORIAL.....	3
11.2.1) Drawing external Unified National threads	3
11.3) INTERNAL THREADS TUTORIAL	6
11.3.1) Drawing Unified National internal threads	6
11.4) HEX NUTS AND BOLTS TUTORIAL	8
11.4.1) Drawing a hex head bolt.....	9
11.4.2) Drawing a hex head nut.....	10
DRAWING THREADS IN AUTOCAD PROBLEMS.....	13

ASSEMBLY DRAWINGS

CHAPTER OUTLINE

12.1) DEFINITIONS	3
12.1.1) Drawing Order.....	3
12.2) VIEWS USED IN ASSEMBLY DRAWINGS	6
12.2.1) Selecting Views.....	6
12.2.2) Sectional Views.....	6
12.3) THINGS TO INCLUDE/NOT INCLUDE.....	7
12.3.1) Hidden Lines	7
12.3.2) Dimensions	7
12.3.3) Identification.....	7
12.3.4) Parts List/ Bill of Material	7
12.4) STANDARD PARTS.....	9
12.4.1) General Fastener Specifications.....	9
ASSEMBLY CROSSWORD PUZZLE.....	21
ASSEMBLY PROBLEMS.....	23

CREATING ASSEMBLY DRAWINGS IN AUTOCAD

CHAPTER OUTLINE

13.1) INTRODUCTION	3
13.2) ASSEMBLY TUTORIAL.....	3
13.2.1) Creating the assembly drawing	5
13.2.2) Balloon the assembly.....	9
13.2.3) Create a parts list.....	12
13.2.4) Title block information	13
ASSEMBLY DRAWINGS IN AUTOCAD PROBLEMS.....	15

PICTORIALS

CHAPTER OUTLINE

14.1) PICTORIALS INTRODUCTION	3
14.2) ISOMETRIC PICTORIAL AXES.....	5
14.3) DRAWING LINEAR FEATURES	5
14.4) DRAWING CIRCLES AND RADII.....	11
14.5) DRAWING CYLINDERS	13
14.6) OBLIQUE PICTORIAL OVERVIEW.....	18
PICTORIAL CROSSWORD PUZZLE	21
PICTORIAL PROBLEMS	23

**CREATING ISOMETRIC PICTORIALS
IN AUTOCAD**

CHAPTER OUTLINE

15.1) ISOMETRIC SNAP	3
15.2) ISOCIRCLES	3
15.3) ISOMETRIC PICTORIAL TUTORIAL	5
15.3.1) Setting up to draw an isometric pictorial	5
15.3.2) Drawing the isometric pictorial	7
15.4) ISOCIRCLE TUTORIAL	10
15.4.1) Setting up to draw an isometric pictorial	10
15.4.2) Drawing the isometric pictorial	11

APPENDIX A: LIMITS AND FITS

APPENDIX OUTLINE

A.1) LIMITS AND FITS (INCH)	3
A.1.1) Running or Sliding Clearance Fits.....	3
A.1.2) Locational Clearance Fits.....	5
A.1.3) Locational Transition Fits.....	7
A.1.4) Locational Interference Fits.....	8
A.1.5) Force and Shrink Fits.....	9
A.2) METRIC LIMITS AND FITS	10
A.2.1) Hole Basis Clearance Fits.....	10
A.2.2) Hole Basis Transition and Interference Fits.....	11
A.2.3) Shaft Basis Clearance Fits.....	12
A.2.3) Shaft Basis Clearance Fits.....	12
A.2.4) Shaft Basis Transition and Interference Fits.....	13

APPENDIX B: THREADS AND FASTENERS

APPENDIX OUTLINE

- B.1) UNIFIED NATIONAL THREAD FORM..... 3**
- B.2) METRIC THREAD FORM..... 4**
- B.3) FASTENERS (INCH SERIES)..... 5**
 - B.3.1) Dimensions of Hex Bolts and Heavy Hex Bolts 5
 - B.3.2) Dimensions of Hex Nuts and Hex Jam Nuts..... 6
 - B.3.3) Dimensions of Hexagon and Spline Socket Head Cap Screws 7
 - B.3.4) Drill and Counterbore Sizes for Socket Head Cap Screws..... 8
 - B.3.5) Dimensions of Hexagon and Spline Socket Flat Countersunk Head Cap Screws 9
 - B.3.6) Dimensions of Slotted Flat Countersunk Head Cap Screws 10
 - B.3.7) Dimensions of Slotted Round Head Cap Screws 10
 - B.3.8) Dimensions of Preferred Sizes of Type A Plain Washers..... 11
 - B.3.9) Dimensions of Regular Helical Spring-Lock Washers 12
- B.4) METRIC FASTENERS..... 13**
 - B.4.1) Dimensions of Hex Bolts 13
 - B.4.2) Dimensions of Hex Nuts, Style 1 14
 - B.4.3) Dimensions of Metric Socket Head Cap Screws 15
 - B.4.4) Drill and Counterbore Sizes for Socket Head Cap Screws..... 16
 - B.4.5) Dimensions of Metric Countersunk Socket Head Cap Screws..... 17
 - B.4.6) Drill and Countersink Sizes for Flat Countersunk Head Cap Screws..... 18
- B.5) BOLT AND SCREW CLEARANCE HOLES 19**
 - B.5.1) Inch Clearance Holes..... 19
 - B.5.2) Metric Clearance Holes..... 20