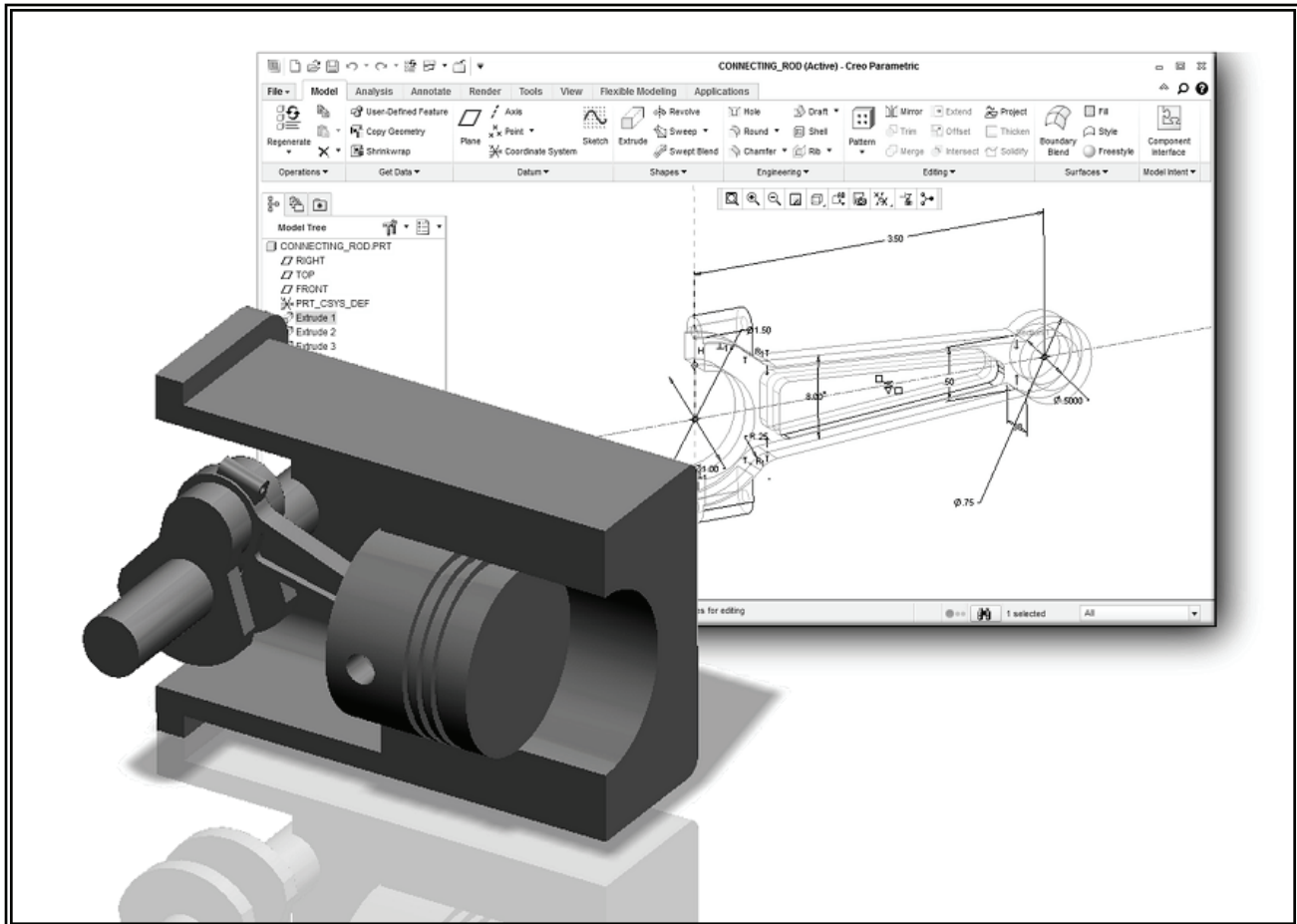


# Parametric Modeling with Creo™ Parametric

An Introduction to Creo™ Parametric 1.0



**Randy H. Shih**  
*Oregon Institute of Technology*

**SDC**  
PUBLICATIONS

[www.SDCpublications.com](http://www.SDCpublications.com)

Schroff Development Corporation

**INCLUDES NEW CHAPTER**  
Advanced Assembly  
Modeling and  
Creo Animation

# Table of Contents

## Preface

## Acknowledgments

## Introduction

Introduction	Intro-2
Development of Computer Geometric Modeling	Intro-2
Feature-Based Parametric Modeling	Intro-6
Getting Started with Creo Parametric	Intro-7
Starting Creo Parametric	Intro-7
Creo Parametric Screen Layout	Intro-8
Ribbon Toolbar	Intro-9
Quick Access Toolbar	Intro-9
Message area	Intro-9
Graphics display area	Intro-9
Navigator	Intro-10
Web Browser	Intro-10
Navigator Display Controls	Intro-10
Basic Functions of Mouse Buttons	Intro-11
Model Tree window and Menu Manager	Intro-12
On-Line Help	Intro-13
Leaving Creo Parametric	Intro-14
Creating a CAD files folder	Intro-14

## Chapter 1

## Parametric Modeling Fundamentals

Introduction	1-2
The Adjuster design	1-3
Starting Creo Parametric	1-3
Step 1: Units and Basic Datum Geometry Setups	1-5
Adding the First Part Features — Datum Planes	1-7
Step 2: Determine/Setup the Base Solid Feature	1-8
Sketching plane – It is an XY CRT, but an XYZ World	1-9
Defining the Sketching Plane	1-10
Defining the Orientation of the Sketching Plane	1-11
Step 3: Creating 2D rough sketches	1-13
The Creo Parametric SKETCHER and INTENT MANAGER	1-14
Graphics Cursors	1-15
Geometric Constraint Symbols	1-16
Dynamic Viewing Functions	1-17
Step 4: Apply/modify constraints and dimensions	1-18
Modifying the dimensions in a sketch	1-21

Repositioning Dimensions	1-23
Step 5: Completing the Base Solid Feature	1-24
The Third Dynamic Viewing Function	1-25
Display Modes: Wireframe, Shaded, Hidden Edge, Enhanced	1-26
Step 6: Adding additional features	1-27
Creating a CUT Feature	1-32
Creating the 2D Section of the CUT Feature	1-33
Save the Part and Exit	1-36
Questions	1-37
Exercises	1-38

## **Chapter 2**

### **Constructive Solid Geometry Concepts**

Introduction	2-2
Binary Tree	2-3
The <i>Locator</i> design	2-4
Modeling Strategy - CSG Binary Tree	2-5
Starting Creo Parametric	2-6
Units Setup	2-7
Adding the First Part Features — Datum Planes	2-9
Base Feature	2-9
Creating a 2D parametric section	2-11
Creating the Second Solid Feature	2-14
Creating the 2D sketch	2-15
Creating a CUT Feature	2-18
Creating a 2-D section	2-19
Redefine a Feature Element	2-22
Creating a Placed HOLE Feature	2-24
Creating the Final Feature	2-27
Creating the 2-D Section	2-28
Questions	2-32
Exercises	2-33

## **Chapter 3**

### **Model History Tree**

Introduction	3-2
The <i>L-Support</i> Design	3-3
Starting Creo Parametric	3-3
Modeling Strategy	3-6
Creating the Base Feature	3-7
2D Sketching of the Base Feature	3-7
Set up the Default View	3-9

Add the Second Solid Feature	3-10
Renaming the Part Features	3-14
Expanding the Model Tree Listing	3-15
Creating a Placed HOLE Feature	3-16
Creating a Rectangular Cutout	3-18
Examining the Model History	3-22
History-based Part Modifications	3-23
Modifying Dimensional Values	3-24
Modifying the 2-D Section of the Base Feature	3-26
Using the Measure Tools	3-28
Calculating the Associated Physical Properties	3-29
Questions	3-34
Exercises	3-35

## **Chapter 4**

### **Parametric Relations and Constraints**

Geometric Construction and Constraints	4-2
The <i>Gasket</i> Design	4-2
Modeling Strategy	4-3
Starting Creo Parametric and using the Metric Template	4-4
Adjusting the Default Model Orientation and Sketcher Startup	4-5
Creating the Base Feature	4-6
Implicit Geometric Relationships	4-7
Lock/Disable/Enable Constraints	4-8
Create and Divide a Circle	4-11
Create a closed region Sketch	4-12
Modify Geometry by Drag-and-Drop	4-13
Controlling Geometric Relationships	4-14
REDO and UNDO	4-16
Using Sketcher Points	4-17
Deleting Geometric Constraints	4-18
Weak Dimensions and Constraints	4-19
Completing the Base Feature	4-20
Using the Offset Loop Option to create a CUT feature	4-21
Parametric Relations and Geometric Constraints	4-24
Create a Simple Plate Design	4-24
Using a Sketch file	4-25
Dimensional Values and Dimensional Variables	4-26
Saving the Sketch File and Exit the Sketcher Mode	4-28
Sketch Files vs. Part Files	4-29
Starting a new Creo Parametric Part	4-29
Creating the Base Feature	4-30
Placing the 2-D Sketch	4-31
Display the Parametric Relations	4-33

Complete the Extrusion Feature	4-34
Parametric Relations at different levels	4-35
Questions	4-39
Exercises	4-40

## **Chapter 5**

### **Parent/Child Relationships**

Introduction	5-2
The <i>U-Bracket</i> Design	5-3
Preliminary Modeling Considerations	5-3
Starting Creo Parametric	5-4
Creating the Base Feature	5-5
Creating a and transform a Rough Sketch	5-6
Creating the Second Solid Feature	5-14
Creating a CUT Feature	5-16
Creating the CENTER_DRILL Feature	5-17
Examining the Parent/Child Relationships	5-19
Display Parent/Child Info	5-20
Modify a Parent Dimension	5-21
A Design Change	5-22
Feature Suppression	5-23
Creating the Circular Cut Feature	5-24
Listing Suppressed Features	5-25
Reactivate the CENTER_DRILL Feature	5-26
Reroute the CENTER_DRILL Feature	5-27
Suppress the RECT_CUT Feature	5-28
A Flexible Design Approach	5-29
Questions	5-30
Exercises	5-31

## **Chapter 6**

### **Datum Features, 3D Annotation and Part Drawings**

Datum Features	6-2
3D Annotation	6-2
Drawings from Solid Models	6-2
The <i>Rod-Guide</i> Design	6-3
Modeling Strategy	6-4
Starting Creo Parametric	6-5
Creating the Base Feature	6-5
Creating a Datum Axis	6-8
Creating a Datum Plane at an angle	6-9

Create the next Solid Feature	6-11
Creating a Datum Plane Using the Filter option	6-13
Creating a Placed Feature	6-17
Add four holes to the Base Feature	6-18
3D Annotation	6-20
Creating a Multi-View Drawing using a Drawing Template	6-32
Creating another Multi-View Drawing	6-34
Adding a new Sheet in the Existing Drawing	6-35
Adding a Primary Main View	6-36
Adding a Projected Auxiliary View	6-37
Adjust the Overall Drawing Display	6-38
Displaying Feature Dimensions	6-40
Displaying Center Axes	6-42
Annotation Appearances	6-43
Adding/Deleting Dimensions – Feature/Driven Dimensions	6-44
Adding an Isometric View	6-46
Questions	6-49
Exercises	6-50

## **Chapter 7**

### **Symmetrical Features in Designs**

Symmetrical Features in Designs	7-2
A Revolved Part: <i>Wheel</i>	7-2
Modeling Strategy - A Revolved Design	7-3
Starting Creo Parametric	7-4
Creating the Base Feature	7-4
Creating Diameter Dimensions	7-6
Modify the Values of Dimensions	7-7
Completing the Revolved Feature	7-8
Using the Mirror Option	7-9
Adding a Radial Hole Feature	7-10
Create a Circular Pattern	7-12
Parametric Relations	7-13
Creating a Multi-View Part Drawing	7-15
Adding the Primary Main View	7-16
Adding a Projected Sectional View	7-17
Modify the Overall Drawing Display	7-20
Displaying Feature Dimensions	7-21
Adding Additional Driven Dimensions	7-23
Dimension Appearances	7-24
Displaying Centerlines	7-25
Adjusting the Length of Centerlines	7-26
Creating Additional Centerlines	7-26
Overriding a Dimension Value	7-29

Associative Functionality – Modifying Feature Dimensions	7-30
Bi-Directional Associative Functionality	7-32
Questions	7-34
Exercises	7-35

## **Chapter 8**

### **Three Dimensional Construction Tools**

Introduction	8-2
A Thin-Walled Part: <i>Dryer Housing</i>	8-2
Modeling Strategy	8-3
Starting Creo Parametric	8-4
Creating the Base Feature	8-4
Create a Revolved Feature	8-6
Creating the second Feature	8-7
Create a Blend Feature	8-9
Creating 2-D Blend Sections	8-11
Create 3-D Rounds and Fillets	8-15
Creating a Shell Feature	8-16
Create a Pattern Leader	8-18
Create a Rectangular Pattern	8-20
Creating a Sweep Feature	8-22
Define the Sweep Trajectory	8-22
Define the Sweep Section	8-24
Questions	8-26
Exercises	8-27

## **Chapter 9**

### **Advanced Modeling Tools**

Introduction	9-2
Summary of Modeling Considerations	9-2
The <i>BRACKET</i> Design	9-2
Modeling Strategy	9-3
Starting Creo Parametric	9-4
Creating the Base Feature	9-4
Using the CUT Option to Create a <i>Boolean INTERSECT</i>	9-6
Creating a Reference Plane	9-10
Creating Another Extrude Feature	9-11
Using the Draft Angle Tool	9-14
Create the Top Cylindrical Feature	9-16
Create the Hole through the Cylinder	9-18
Create a Sketched Hole on the Base Feature	9-18
Using the Copy Function to Create a Mirror Feature	9-21

Creating Chamfers	9-22
Adding <i>SIMPLE</i> Rounds and Fillets - Edges	9-23
Adding <i>Advanced</i> Rounds and Fillets - Surfaces	9-24
Adding the Last Feature	9-26
Changing Model Colors	9-27
Saving the Part	9-28
Questions	9-30
Exercise	9-31

## **Chapter 10**

### **Assembly – Putting It All Together**

Introduction	10-2
The <i>BRACKET</i> Assembly	10-2
Assembly Modeling Methodology	10-3
Additional Parts	10-4
(1) <i>Base Plate</i>	10-4
(2) <i>Bushing</i>	10-4
(3) <i>Cap Screw</i>	10-5
Create a Subassembly	10-6
Retrieving the <i>Bracket</i> Component	10-7
Retrieving the <i>Bushing</i> Component	10-7
Placement Constraints	10-8
Placing the <i>Bushing</i>	10-9
Create the Second Placement Constraint	10-11
Create the <i>Bracket</i> Assembly Model	10-13
Base Component	10-14
Fully Constraining the <i>Base-Plate</i> to the Assembly	10-15
Retrieving the <i>Bracket-Bushing</i> Subassembly	10-16
Placing the <i>Bracket-Bushing</i> Subassembly	10-16
Placing the <i>Cap Screws</i>	10-22
Exploding the Assembly	10-24
Bi-directional Associative Functionality	10-27
Questions	10-29
Exercise	10-30

## **Chapter 11**

### **Advanced Assembly Modeling and Creo Animation**

Introduction	11-2
Joint Connections	11-3
Basic Joint Connections	11-4
Pin	11-4
Slider	11-4



Cylinder	11-5
Planar	11-5
Servo Motor	11-6
Bodies	11-6
Ground Body	11-6
The <i>Crank-Slider</i> Assembly	11-7
Creating the required Parts	11-7
(1) <i>End Cap</i>	11-7
(2) <i>Connecting Rod</i>	11-8
(3) <i>Base Block</i>	11-9
(4) <i>Crank Shaft</i>	11-10
(5) <i>Piston</i>	11-11
Create the Crank Slider Assembly Model	11-12
Base Component	11-13
Assembling the <i>Crank Shaft</i>	11-14
Assembling the <i>Connecting Rod</i>	11-16
Assembling the <i>Piston</i>	11-18
Assembling the <i>End Cap</i>	11-20
Starting the Creo Animation Module	11-21
Defining an Animation in Creo Animation	11-22
The Basic Animation Body Definitions and Display Controls	11-23
Creating the Animation using the Key Frame Approach	11-24
Adjusting the Time Domain of the Animation	11-29
Creating another Animation by using a Servo Motor	11-30
Output the Animation as a Video file	11-32
Conclusion	11-33
Questions	11-34
Exercises	11-35

## INDEX