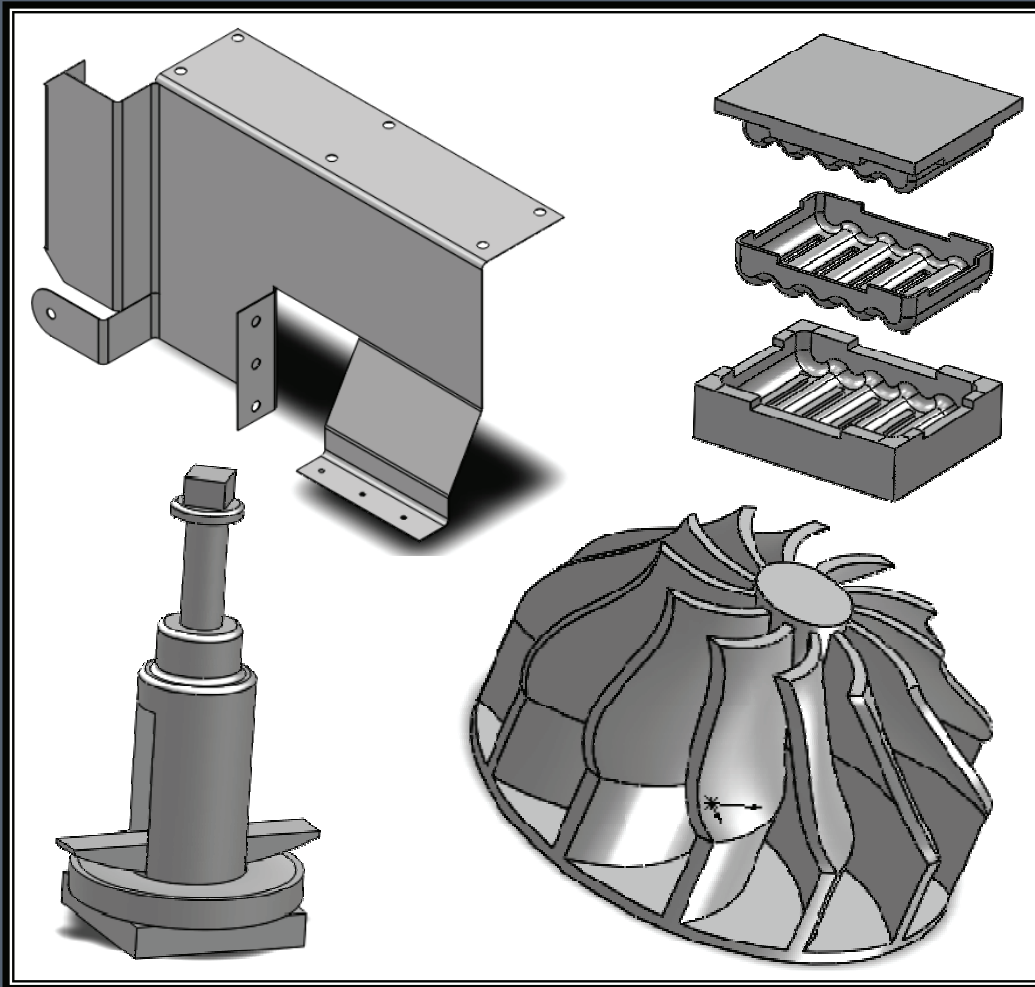


A Comprehensive Introduction to SolidWorks 2011



Godfrey Onwubolu, Ph.D.

SDC
PUBLICATIONS

www.SDCpublications.com

Schroff Development Corporation

Table of Contents

PART I: Introductory Engineering Design Principles with SolidWorks

1. Introduction	1-1
SolidWorks within the Context of CAE Framework	1-1
Three-dimensional (3D) Wireframes	1-2
Constructive Solid Geometry (CSG)	1-2
Boundary Representation (B-Rep) Scheme	1-3
Feature-based Parametric Modeling	1-4
Background Knowledge about SolidWorks	1-4
Starting a SolidWorks Session	1-5
SolidWorks User Interface	1-5
Menu-bar toolbar	1-6
Menu-bar menu	1-6
Task pane	1-7
CommandManager	1-8
FeatureManager design tree	1-10
Head-up view toolbar	1-10
Drop-down menu	1-11
Right-click	1-12
Consolidated toolbar	1-12
System feedback	1-13
Setting the Document Options	1-13
System options	1-13
Document properties	1-14
File Management	1-16
Caution needed during a SolidWorks session	1-16
Starting a New Document in SolidWorks	1-16
My First Part	1-17
Useful SolidWorks Resources	1-21
Compatibility of SolidWorks with other Software	1-22
Summary	1-22
Exercises	1-23
2. Geometric Construction Tools	2-1
Introduction	2-1
Sketch Entities	2-1
Line	2-2
Rectangle	2-2
Parallelogram	2-3
Slot	2-4
Polygon	2-4
Circle	2-5
Arc	2-5
Ellipse	2-6
Parabola	2-7
Spline	2-8
Sketch Tools	2-9

Fillet	2-10
Chamfer	2-10
Offset	2-11
Convert Entities	2-12
Trim	2-12
Extend	2-13
Split Entities	2-13
Construction Geometry	2-13
Mirror	2-14
Stretch Entities	2-14
Move Entities	2-15
Rotate Entities	2-16
Scale Entities	2-16
Copy Entities	2-17
Pattern	2-18
Summary	2-19
Exercises	2-20
3. Features	3-1
Introduction	3-2
Extruded Boss/Base	3-3
Draft, Dome, Rib	3-3
Extruded Cut	3-6
Revolved Boss/Base	3-7
Revolved Cut	3-10
Lofted Boss/Base	3-11
Lofted Cut	3-14
Swept Boss/Base	3-15
Swept Cut	3-17
Hole Wizard	3-18
Shell	3-21
Fillet tool	3-22
Chamfer tool	3-26
Linear Pattern	3-28
Circular Pattern	3-29
Mirror	3-29
Editing features	3-29
Tutorials	3-31
Tutorial 1	3-31
Tutorial 2	3-33
Tutorial 3	3-34
Tutorial 4	3-36
Tutorial 5	3-37
Tutorial 6	3-38
Tutorial 7	3-39
Tutorial 8	3-42
Tutorial 9	3-43
Tutorial 10	3-46
Patterns—Advanced Methods	3-48
Sketch Driven Pattern	3-49
Curve Driven Pattern	3-51

Table Driven Pattern	3-56
Reference Planes	3-57
Tutorial 1 for Plane	3-58
Tutorial 2 for Plane	3-58
Tutorial 3 for Plane	3-59
Tutorial 4 for Plane	3-60
Creating Patterns	3-61
Summary	3-66
Exercises	3-67
4. Part Modeling—CSWA Preparations	4-1
Introduction	4-1
Tutorials	4-1
Tutorial 4.1a: Widget	4-1
Tutorial 4.1b: Widget	4-4
Tutorial 4.2	4-5
Tutorial 4.3a	4-7
Tutorial 4.3b	4-11
Tutorial 4.4	4-12
Tutorial 4.5a	4-12
Tutorial 4.5b	4-17
Tutorial 4.6a	4-18
Tutorial 4.6b	4-23
Tutorial 4.7a	4-24
Tutorial 4.7b	4-29
Summary	4-30
Exercises	4-30
5. Advanced Part Modeling	5-1
Introduction	5-1
Advanced Part Modeling Tutorials	5-2
Tutorial 1: Block with hook	5-2
Tutorial 2: Bracket 1	5-8
Tutorial 3: Bracket 2	5-11
Tutorial 4: Inclined Block	5-15
Tutorial 5: Generalized Block	5-22
Tutorial 6: Inclined Block	5-33
Tutorial 7: Bent Plate	5-42
Tutorial 8: Inclined Block	5-49
Summary	5-62
Exercises	5-62
6. Revolved, Swept, and Lofted Parts	6-1
Revolved Boss/Base	6-1
Practical examples	6-3
Engine cylinder	6-3
Pulley	6-5
Swept Boss/Base	6-8
Practical examples	6-10
Spring	6-10

O-Ring	6-12
Threaded cap	6-15
Lofted Boss/Base	6-19
Practical examples	6-22
Impeller	6-22
Aircraft wing	6-27
Practical Swept Feature: Elbow Casting	6-30
Practical Swept Feature: Lathe Tailstock	6-37
Summary	6-42
Exercise	6-43
7. Part Modeling with Equation Driven Curves	7-1
Introduction	7-1
Equation Driven Curves	7-1
Problem 1	7-2
Integral Calculus Solution for Area	7-2
Solidworks Solution for Area	7-3
Part Design Using the Solidworks Equation Driven Curves	7-5
Effect of Changing the Axis of Rotation	7-7
Problem 2	7-8
Integral Calculus Solution for Area	7-8
Solidworks Solution for Area	7-8
Part Design Using the Solidworks Equation Driven Curves	7-10
Problem 3	7-11
Integral Calculus Solution for Volume	7-12
Solidworks Solution for Area	7-12
Part Design Using the Solidworks Equation Driven Curves	7-13
Problem 4	7-14
Integral Calculus Solution for Area	7-14
Solidworks Solution for Area	7-15
Problem 5	7-17
Integral Calculus Solution for Area	7-17
Solidworks Solution for Area	7-17
Part Design Using the Solidworks Equation Driven Curves	7-19
Summary	7-21
Exercises	7-22
8. Assembly Modeling—CSWA Preparations	8-1
Introduction	8-1
Starting the Assembly Mode of SolidWorks	8-2
Inserting Components into an Assembly Document	8-3
Mates	8-5
Project	8-10
Planning the Assembly	8-10
Starting the Assembly Mode of SolidWorks	8-10
Inserting Components into an Assembly Document	8-10
Mates	8-14
Assembling the Components	8-14
Assembly Analysis	8-19
Exploded View	8-20

Animate an Exploded View	8-2
Tutorials	8-23
Tutorial 8-1	8-23
Tutorial 8-2	8-26
Tutorial 8-3	8-29
Large Assemblies	8-31
Exercises	8-31

9. Part and Assembly Drawings 9-1

Introduction	9-1
Orthographic Projection	9-1
Creating a SolidWorks Drawing Template	9-2
Document properties	9-2
Sheet properties	9-6
Title block	9-6
Saving the template	9-8
Part Drawing of Tool Post	9-9
Screw: Standard Views	9-9
Post: Standard Views	9-11
Wedge: Standard Views	9-13
Ring: Standard Views	9-15
Block: Standard Views	9-17
Assigning Properties through File > Properties	9-19
Assigning Properties through Configuration Manager	9-21
Tool Post Assembly Drawing	9-22
Exploded View	9-22
Balloons	9-25
Bill of Material (BOM)	9-26
Summary	9-27
Exercises	9-27

PART II: Intermediate Engineering Design Principles with SolidWorks

10. Reverse Engineering using Auto Trace & FeatureWorks 10-1

Reverse Engineering	10-1
Solidworks Reverse Engineering Tools	10-3
Create Auto Trace Tool	10-3
Methodology for Importing and Extracting Image Features	10-6
Featureworks Tool	10-13
Featureworks Product Overview	10-13
Featureworks Add-In	10-16
Featureworks Options	10-17
Featureworks Propertymanager	10-18
Problem Description	10-18
Automatic Feature Recognition Methodology	10-19
Import Geometry	10-19
Import Diagnostics	10-21
Automatic Feature Recognition	10-23

Interactive Feature Recognition Methodology	10-24
Summary	10-34
Exercises	10-34
11. Top-Down Design	11-1
Designing From Layout	11-1
Layout of the Cabinet	11-1
Microcontroller-Insert Component	11-7
Cooling Unit-Insert Component	11-10
Power Supply-Insert Component	11-12
Housing-Insert Component	11-13
Designing from Part Outline	11-17
Part Model	11-17
Modeling In-Context	11-17
Summary	11-24
Exercises	11-24
12. Surface Modeling	12-1
Generalized Methodology for Freeform Surface Design	12-1
Control Polygon	12-1
Lofting B-Splines Using a Control Polygon	12-3
Freeform Surface Design	12-5
Effect of Modifying a Control Polygon	12-6
Extruded Surface: Type I	12-8
Revolved Surface: Type I	12-9
Knitting Multiple Surfaces	12-10
Thicken Feature	12-10
Fill Surface	12-13
Extruded Surface: Type II	12-13
Revolved Surface: Type II	12-14
Swept Surface	12-15
Lofted Surface	12-19
Freeform Surface Design: Boundary Surface	12-20
Summary	12-31
Exercises	12-32
13. Tool Boxes and Design Libraries	13-1
Introduction	13-1
SolidWorks Toolbox Add-Ins	13-1
How to Use SolidWorks Design Library & Toolbox	13-2
Features available in the Toolbox via CommandManager	13-2
Features available in the Toolbox via Design Library	13-3
Structural Steel	13-3
Beam Calculator	13-12
Grooves	13-15
O-Ring Grooves: Retaining Ring Grooves	13-17
Creating Standard Parts using Design Library & Toolbox	13-18
Gear Design using SolidWorks	13-21
Design Methodology for Gears	13-21
Problem Description	13-22

SolidWorks Solution Procedure	13-22
Animation	13-30
Bevel Gear Design	13-31
Summary	13-3
Exercises	13-3
14. Animation with Basic Motion	14-1
Different Types of Motion Studies	14-1
Modelling of Linkages	14-2
Assembly Modelling of Linkages	14-3
MotionManager Interface	14-8
Summary	14-11
15. Animation with SolidWorks Motion	15-1
Type of Motion Study	15-1
Deciding Which Type of Study to Use	15-2
Animation, Basic Motion & Motion Analysis	15-2
SolidWorks Motion Overview	15-3
SolidWorks Motion <i>Add-In</i>	15-3
Four-bar linkage Mechanism and Slider-Crank Mechanism	15-5
Problem Description	15-6
SolidWorks Parts and Assembly	15-6
Using SolidWorks Motion	15-7
Methodology for Motion Analysis using SolidWorks Motion	15-7
Defining Bodies	15-7
Driving Joints	15-8
Turning off Gravity	15-10
Running Motion Analysis	15-12
Kinematic Analysis	15-13
Interference Check	15-16
Dynamic Analysis	15-17
Validating the Results	15-22
Summary	15-22
Exercises	15-23
16. Rendering	16-1
Introduction	16-1
Surface Model	16-1
Zebra Stripes	16-2
Inserting Zebra Stripes Tool	16-2
Including Zebra Stripes Effects on a Part	16-3
Removing Zebra Stripes Effects	16-3
Curvature	16-4
Inserting Curvature Tool	16-4
PhotoWorks Toolbar	16-6
Inserting PhotoWorks Tool	16-6
Exercises	16-8
Summary	16-8

PART III: Engineering Design Practice with SolidWorks

17. Mold Design	17-1
Mold Design Background	17-1
Mold Design Tools Overview	17-2
Mold Design Methodology	17-4
What is New in SolidWorks 2010 & 2011: Mold Design?	17-4
Exercises	17-11
Summary	17-11
18. Sheet Metal Part Design-I	18-1
18.1 Sheet Metal Manufacturing Processes	18-1
18.2 Sheet Metal Part Design Methodology: Base Flange	18-4
18.3 Case Study Using Base Flange	18-7
Summary	18-25
19. Sheet Metal Part Design-II	19-1
Comparing Sheet Metal Design Methods	19-1
Advantages of the Base Flange Approach	19-1
Tutorials on Base Flange Approach for Sheet Metal Design	19-2
The Sheet Metal User Interface	19-2
Tutorial 1: General Sheet Metal Part	19-3
Tutorial 2: P1	19-16
Tutorial 3: P2	19-22
Tutorial 4: Hanger Support	19-30
Tutorial 5: Jogged Sheet Metal Part	19-39
Tutorial 6: Lofted Sheet Metal	19-45
Tutorial 7: P9	19-48
Tutorial 8: General Sheet Metal	19-60
Tutorial 9: Hanger	19-70
Tutorial 10: CSWP-SMTL	19-83
Summary	19-92
Exercises	19-93
20. Weldments	20-1
Introduction	20-1
Creating Parts with a 3D Sketch	20-1
Tutorials	20-2
Tutorial 1: Bent tube	20-2
Tutorial 2: Bent tube	20-4
Tutorial 3: Handlebar tube	20-5
Weldments Toolbar	20-8
Structural member	20-8
Trimming the structural members	20-11
Adding end caps to structural members	20-12
Adding gussets to structural members	20-13
Adding fillet beads to structural members	20-14

21. Routings: Piping and Tubing	21-1
Introduction	21-1
Activating the SolidWorks Routing Add-In	21-1
Background	21-2
Customizing Routing Templates	21-2
Adding Parts to the Routing Library	21-3
Illustration 1	21-3
Starting a route	21-4
Creating a route	21-6
Illustration 2	21-7
Route Drawing	21-10
22. Power Transmission Elements	22-1
Gears and Power Transmission	22-1
Spur Gears	22-2
Creating gears	22-2
Power description	22-3
Support plate sizing	22-4
Gear assembly modeling	22-4
Assembly of the support plate, pin and gears	22-6
Animation	22-10
Rack-and-Pinion Gears	22-11
Problem description	22-11
Gear assembly modeling	22-12
Animation	22-18
Belts and Pulleys	22-20
Problem description	22-20
Belt-and-pulley assembly modeling	22-21
Animation	22-27
Chain Drive: Chains and Sprockets	22-28
Problem description	22-28
Chain-and-sprocket assembly modeling	22-29
Animation	22-35
Bevel Gear Box Design	22-36
Problem description	22-38
Assembly modeling	22-39
Summary	22-43
Exercises	22-43
23. Cam Design	23-1
Introduction	23-1
Types of Cams	23-1
Types of Followers	23-1
Creating Cams using the Traditional Method	23-1
Creating Cams in SolidWorks	23-2
Problem definition	23-2
SolidWorks Toolbox add-ins	23-2
To access the SolidWorks Cams tool	23-3
Cam-Circular Setup	23-3
Cam-Circular Motion	23-4

Cam-Circular Creation	23-7
Creating a Hub	23-8
Creating a Hub using the Cam-Circular Dialog	23-9
Creating a Hole for a Key using the Hole Wizard	23-10
Cam Shaft Assembly	23-11
Spring	23-11
Cam follower bracket	23-12
Cam bracket	23-12
Roller	23-14
Cam shaft	23-15
Handle	23-15
Pin	23-15
Assembly of cam shaft components	23-16
Exercises	23-16
24. Mechanism Design Using Blocks	24-1
Introduction	24-1
Blocks Toolbar	24-1
Problem Description	24-2
Creating Sketches of a Mechanism	24-3
Saving the Sketches as Different Block Files	24-4
Saving the Block into the Layout Environment	24-4
Applying Relations to the Blocks	24-5
Converting Blocks into Parts	24-9
Extruding the Parts	24-10
Summary	24-14
25. Die Design	25-1
Scope of Die Design	25-1
Components of a Die Set	25-1
Pierce and Blank Die	25-2
Scrap Strip	25-5
Design of Die Holder of a Die Set	25-5
Design of Punch Holder of a Die Set	25-8
Design of Guide Post	25-10
Design of Bushing	25-10
Design of Die Block	25-11
Exercises	25-12
26. Finite Element Analysis using SolidWorks	26-1
Introduction to COSMOS/SolidWorks Simulation	26-1
What is SolidWorks Simulation?	26-1
Product development cycle (PDC)	26-2
What is finite element analysis?	26-2
How does finite element analysis work?	26-4
Types of engineering analysis	26-6
Principles of finite element analysis	26-7
SolidWorks Simulation add-ins	26-9

SolidWorks Simulation CommandManager	26-10
SolidWorks Simulation toolbars	26-12
Starting a new study in SolidWorks Simulation	26-13
Basic SolidWorks Simulation steps	26-14
Finite Element Analysis of a Plate	26-15
Summary	26-21
Exercises	26-22