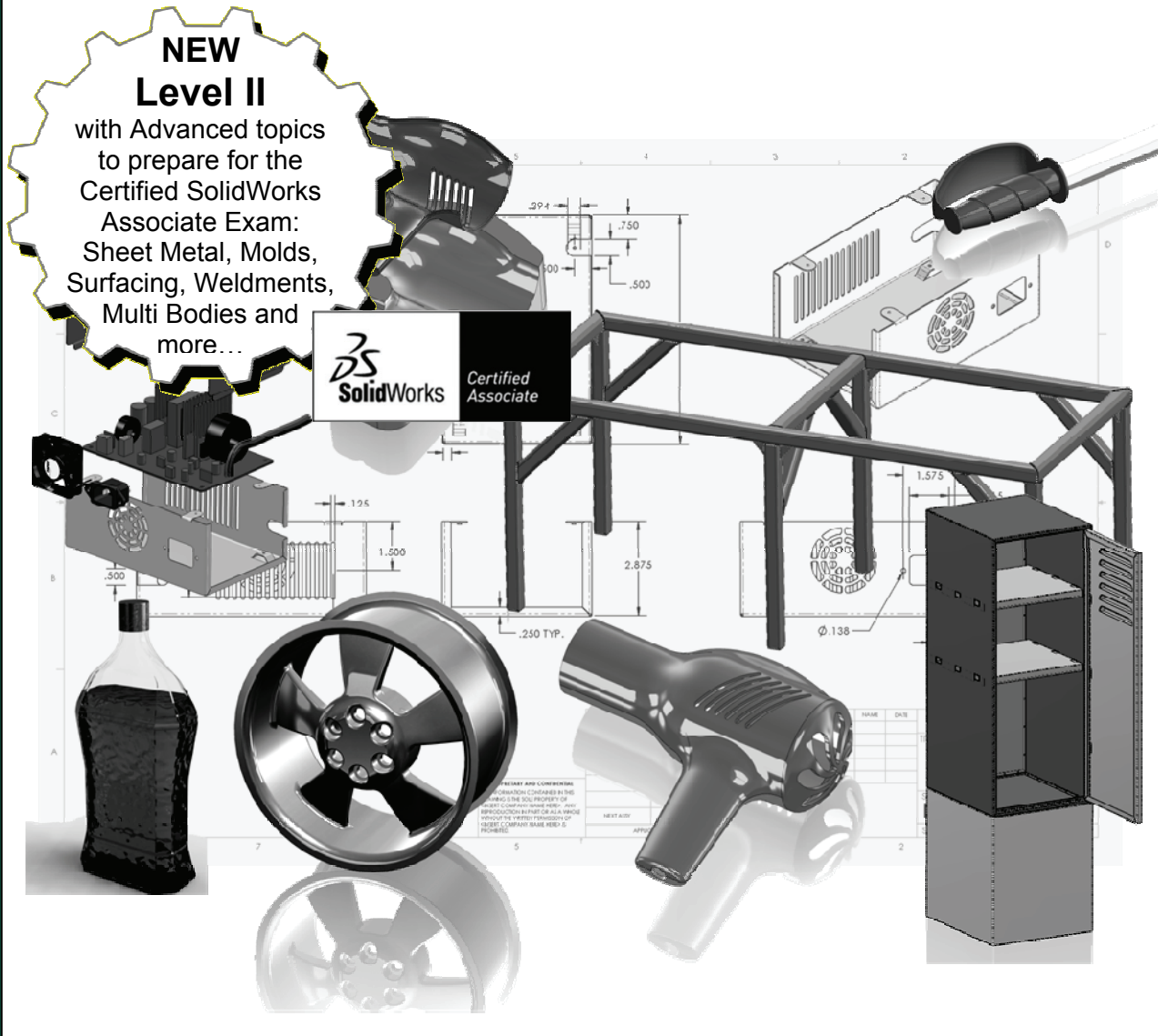


# Beginner's Guide to SolidWorks 2011 – Level II



**Alejandro Reyes, MSME**  
Certified SolidWorks Professional



**SDC**  
PUBLICATIONS

[www.SDCpublications.com](http://www.SDCpublications.com)

Schroff Development Corporation

## **Table of Contents**

<b>Introduction .....</b>	<b>1</b>
Prerequisites .....	2
<b>Multi Body Parts, Sketch Editing and Other Tools .....</b>	<b>3</b>
Multi Body Parts .....	5
Contour Selection .....	31
Part Editing .....	37
Equations .....	59
<b>Sheet Metal and Top Down Design .....</b>	<b>71</b>
Understanding Top Down Design .....	73
Sheet Metal and Top Down Design. ....	89
Sheet Metal Drawings .....	151
Sheet Metal Locker Top Down Design.....	155
<b>3D Sketch and Weldments .....</b>	<b>215</b>
3D Sketch .....	217
Weldments .....	235
Structural Member Libraries.....	273
<b>Surfacing and Mold Tools .....</b>	<b>277</b>
Surface Modeling .....	277
Mold Tools .....	319
<b>Final Comments .....</b>	<b>367</b>
<b>Index .....</b>	<b>369</b>