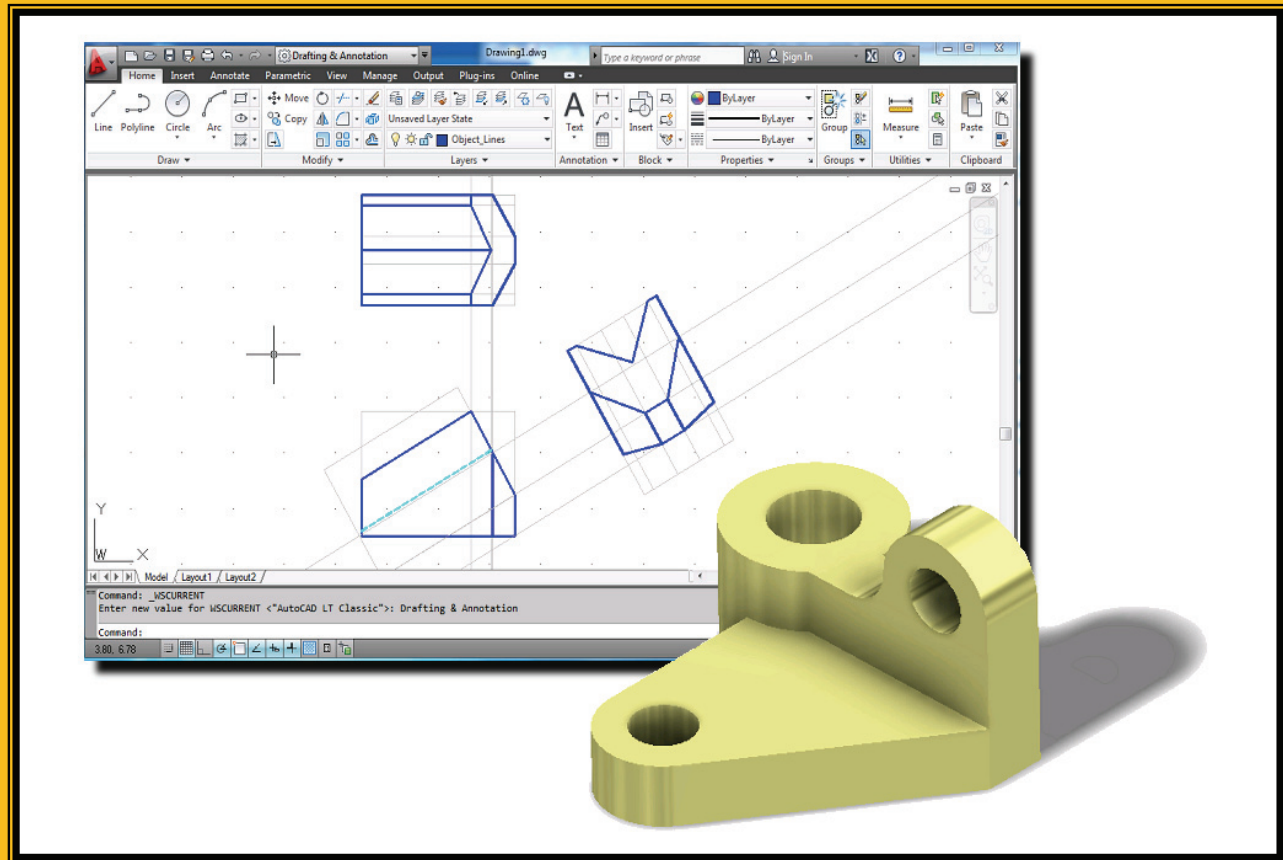


AutoCAD LT® 2012 Tutorial



Randy H. Shih
Oregon Institute of Technology

SDC
PUBLICATIONS

www.SDCpublications.com

Schroff Development Corporation

Table of Contents

Preface

Acknowledgments

Introduction

Getting Started

| | |
|--|----------|
| Introduction | Intro-2 |
| Development of Computer Geometric Modeling | Intro-2 |
| Why Use AutoCAD LT® 2012 | Intro-5 |
| Getting Started with AutoCAD LT® 2012 | Intro-7 |
| AutoCAD LT® 2012 Screen Layout | Intro-8 |
| Mouse Buttons | Intro-12 |
| [Esc] - Canceling Commands | Intro-12 |
| On-Line Help | Intro-13 |
| Leaving AutoCAD LT® 2012 | Intro-14 |
| Creating a CAD File Folder | Intro-15 |

Lesson 1

Geometric Construction Basics

| | |
|---|------|
| Introduction | 1-2 |
| Starting Up AutoCAD LT® 2012 | 1-2 |
| Drawing Units Setup | 1-4 |
| Drawing Area Setup | 1-5 |
| Using the <i>InfoCenter</i> to Get More Information | 1-6 |
| Drawing Lines with the <i>Line</i> Command | 1-7 |
| Visual Reference | 1-10 |
| <i>GRID</i> ON | 1-10 |
| Dynamic Input OFF | 1-11 |
| <i>SNAP</i> ON | 1-11 |
| Using the <i>ERASER</i> | 1-13 |
| Repeat the Last Command | 1-14 |
| The CAD Database and the User Coordinate System | 1-15 |
| Changing to the 2D UCS Icon Display | 1-16 |
| Cartesian and Polar Coordinate Systems | 1-17 |
| Absolute and Relative Coordinates | 1-17 |
| Defining Positions | 1-18 |
| The <i>Guide Plate</i> | 1-18 |
| Creating <i>Circles</i> | 1-22 |
| Save the CAD File | 1-24 |
| Exit AutoCAD LT | 1-25 |
| Review Questions | 1-26 |
| Exercises | 1-27 |

Lesson 2

Construction and Editing Tools

| | |
|---|------|
| Introduction | 2-2 |
| Starting Up AutoCAD LT 2012 | 2-4 |
| Dynamic Input | 2-4 |
| The Gasket Design | 2-7 |
| Drawing Units Setup | 2-8 |
| <i>GRID</i> and <i>SNAP</i> Intervals Setup | 2-9 |
| Using the <i>LINE</i> Command | 2-10 |
| Object Snap Toolbar | 2-12 |
| Using the Object Snap Options | 2-13 |
| Using the <i>EXTEND</i> Command | 2-16 |
| Using the <i>TRIM</i> Command | 2-17 |
| Creating a <i>TTR Circle</i> | 2-18 |
| Using the <i>FILLET</i> Command | 2-19 |
| Converting Objects into a <i>Polyline</i> | 2-20 |
| Using the <i>OFFSET</i> Command | 2-21 |
| Using the Area Inquiry Tool to Measure Area and Perimeter | 2-22 |
| Using the <i>EXPLODE</i> Command | 2-24 |
| Create another <i>FILLET</i> | 2-24 |
| Save the CAD File | 2-25 |
| Exit AutoCAD | 2-25 |
| Review Questions | 2-26 |
| Exercises | 2-27 |

Lesson 3

Object Properties and Organization

| | |
|--|------|
| Introduction | 3-2 |
| Floor Plan Design | 3-2 |
| Starting Up AutoCAD LT® 2012 | 3-3 |
| Activate the Startup Option | 3-3 |
| Drawing Units Setup | 3-5 |
| Reference Area Setup | 3-5 |
| <i>GRID</i> and <i>SNAP</i> Intervals Setup | 3-6 |
| Using the <i>ZOOM Extents</i> Command | 3-7 |
| The AutoCAD LT <i>DOUBLE LINE</i> Command | 3-7 |
| Setting the Offset Distance of <i>Double Lines</i> | 3-8 |
| Setting the Appearance of Endpoints | 3-8 |
| Controlling Placement of <i>Double Lines</i> | 3-9 |
| The <i>DLINE</i> Break Option | 3-9 |
| Drawing <i>Double Lines</i> | 3-10 |
| Display the Object Snap Toolbar | 3-11 |
| Controlling the Appearance of Intersections | 3-11 |
| Creating Additional Interior Walls | 3-12 |
| Using <i>Layers</i> and Object Properties | 3-16 |
| Using <i>ZOOM REALTIME</i> | 3-19 |

| | |
|-------------------------------------|------|
| Modeling the Bathroom | 3-19 |
| Controlling <i>Layer Visibility</i> | 3-21 |
| Adding another New Layer | 3-22 |
| Moving Objects to a Different Layer | 3-22 |
| Review Questions | 3-24 |
| Exercises | 3-25 |

Lesson 4

Orthographic Views in Multiview Drawings

| | |
|---|------|
| Introduction | 4-2 |
| The LOCATOR Design | 4-2 |
| The LOCATOR Part | 4-3 |
| Starting Up AutoCAD LT [®] 2012 | 4-3 |
| <i>GRID</i> and <i>SNAP</i> Intervals Setup | 4-4 |
| <i>Layers</i> Setup | 4-5 |
| Drawing <i>Construction Lines</i> | 4-6 |
| Using the <i>OFFSET</i> Command | 4-6 |
| Set Layer <i>Object</i> as the Current Layer | 4-8 |
| Using the <i>Running Object Snaps</i> | 4-8 |
| Creating <i>Object lines</i> | 4-10 |
| Turn <i>OFF</i> the Construction Lines | 4-11 |
| Adding More Objects in the Front View | 4-11 |
| The AutoSnap [™] and AutoTrack [™] Features | 4-12 |
| Adding More Objects in the Top View | 4-14 |
| Drawing using the <i>Miter Line</i> Method | 4-18 |
| More <i>Layers Setup</i> | 4-20 |
| Top View to Side View Projection | 4-21 |
| Completing the Front View | 4-23 |
| Object Information Using the List Command | 4-25 |
| Object Information Using the Properties Command | 4-26 |
| Review Questions | 4-27 |
| Exercises | 4-28 |

Lesson 5

Basic Dimensioning and Notes

| | |
|---|------|
| Introduction | 5-2 |
| The Bracket Design | 5-2 |
| Starting Up AutoCAD LT [®] 2012 | 5-3 |
| <i>GRID</i> and <i>SNAP</i> intervals Setup | 5-4 |
| <i>Layers</i> Setup | 5-5 |
| The Bracket Design | 5-6 |
| Drawing Construction Lines | 5-7 |
| Using the <i>OFFSET</i> Command | 5-7 |
| Set Layer <i>Object Lines</i> as the <i>Current Layer</i> | 5-9 |
| Creating Object lines | 5-9 |
| Creating Hidden lines | 5-10 |

| | |
|---|------|
| Creating Center lines | 5-11 |
| Turn <i>OFF</i> the Construction Lines | 5-11 |
| Using the <i>FILLET</i> Command | 5-12 |
| Saving the CAD File | 5-13 |
| Accessing the Dimensioning Commands | 5-14 |
| The <i>Dimension Toolbar</i> | 5-15 |
| Using <i>Dimension Style Manager</i> | 5-15 |
| Dimensions Nomenclature and Basics | 5-16 |
| Using the <i>Center Mark</i> Option | 5-19 |
| Adding <i>Linear</i> Dimensions | 5-20 |
| Adding <i>Angular</i> Dimensions | 5-21 |
| Adding <i>Radius</i> and <i>Diameter</i> Dimensions | 5-22 |
| Using the <i>Multiline TEXT</i> Command | 5-23 |
| Adding Special Characters | 5-24 |
| Saving the CAD File | 5-25 |
| A Special Note on Layers Containing Dimensions | 5-25 |
| Review Questions | 5-26 |
| Exercises | 5-27 |

Lesson 6

Templates and Plotting

| | |
|---|------|
| Introduction | 6-2 |
| The Geneva Cam Design | 6-2 |
| Starting Up AutoCAD LT® 2012 | 6-3 |
| Setting Up the <i>Plot Style Mode</i> | 6-4 |
| Starting a New File | 6-6 |
| <i>GRID</i> and <i>SNAP</i> Intervals Setup | 6-7 |
| <i>Layers</i> Setup | 6-8 |
| Adding Borders and Title Block in the Layout | 6-9 |
| Create a <i>Template file</i> | 6-12 |
| Exit AutoCAD LT® 2012 | 6-13 |
| Starting Up AutoCAD LT® 2012 | 6-13 |
| The Geneva Cam Drawing | 6-14 |
| Drawing Construction Lines | 6-15 |
| Creating Object Lines | 6-16 |
| Using the <i>OFFSET</i> Command | 6-17 |
| Using the <i>MIRROR</i> Command | 6-19 |
| Using the <i>ARRAY</i> Command | 6-20 |
| Creating a <i>Viewport</i> Inside the Title Block | 6-22 |
| <i>Viewport</i> Properties | 6-23 |
| Hide the <i>Viewport Borders</i> | 6-24 |
| Adjusting the Dimension Scale | 6-24 |
| <i>Plot/Print</i> the Drawing | 6-26 |
| Review Questions | 6-28 |
| Exercises | 6-29 |

Lesson 7**Auxiliary Views and Editing with GRIPS**

| | |
|---|------|
| Introduction | 7-2 |
| The V-Block Design | 7-2 |
| The V-Block Example | 7-3 |
| Starting Up AutoCAD LT® 2012 | 7-3 |
| Using the AutoCAD LT Classic Workspace | 7-4 |
| Setting up the Principal Views | 7-5 |
| Setting up the <i>Top View</i> | 7-8 |
| Using the <i>OFFSET</i> Command | 7-9 |
| Creating Object Lines in the <i>Front View</i> | 7-11 |
| Setting the POLAR TRACKING Option | 7-12 |
| Setting up an Auxiliary View | 7-15 |
| Aligning the Auxiliary View to the Front View | 7-16 |
| Creating the V-Cut in the Auxiliary View | 7-16 |
| Creating the V-Cut in the <i>Front View</i> and <i>Top View</i> | 7-19 |
| Setting the <i>Polar Tracking</i> Option | 7-21 |
| Completing the <i>Top View</i> | 7-21 |
| Edit the Plot Style Table | 7-25 |
| Review Questions | 7-27 |
| Exercises | 7-28 |

Lesson 8**Section Views**

| | |
|---|------|
| Introduction | 8-2 |
| The Bearing Design | 8-2 |
| Starting Up AutoCAD LT® 2012 | 8-3 |
| The Bearing Design | 8-4 |
| Setting Up the <i>Principal Views</i> | 8-4 |
| Creating Object Lines in the <i>Front View</i> | 8-6 |
| Editing the Circles | 8-8 |
| Setting Up the <i>Side View</i> | 8-9 |
| Adding Hidden Lines in the <i>Side View</i> | 8-11 |
| Changing the <i>Linetype Scale</i> Property | 8-13 |
| Stretching and Moving Objects with <i>GRIPS</i> | 8-14 |
| Drawing a Cutting Plane Line | 8-15 |
| Converting the Side View into a Section View | 8-18 |
| Adding <i>Section Lines</i> | 8-20 |
| Review Questions | 8-23 |
| Exercises | 8-24 |

Lesson 9**Assembly Drawings and AutoCAD Blocks**

| | |
|-------------------------------|-----|
| Introduction | 9-2 |
| The Shaft Support Subassembly | 9-3 |

| | |
|---|------|
| Additional parts | 9-3 |
| (1) Cap-Screw | 9-3 |
| (2) Collar | 9-4 |
| (3) Base-Plate | 9-4 |
| Starting Up AutoCAD LT® 2012 | 9-5 |
| Using AutoCAD LT with the Internet | 9-6 |
| Rearrange the Displayed Windows | 9-7 |
| Defining a <i>Block</i> | 9-8 |
| Inserting a <i>Block</i> | 9-10 |
| Starting the <i>Assembly Drawing</i> | 9-11 |
| Copying and Pasting with the <i>Windows Clipboard</i> | 9-12 |
| Converting the View into a <i>Section View</i> | 9-13 |
| Adding the <i>Bearing</i> to the Assembly | 9-15 |
| Adding the <i>Cap-Screws</i> to the Assembly | 9-18 |
| Creating <i>Callouts</i> with the Multileader Command | 9-20 |
| Creating a <i>Viewport</i> in the A-size Layout | 9-23 |
| <i>Viewport</i> Properties | 9-24 |
| Adding a <i>PARTS LIST</i> to the Assembly Drawing | 9-25 |
| Review Questions | 9-31 |
| Exercise | 9-32 |

Lesson 10

3D Wireframe Modeling

| | |
|---|-------|
| Introduction | 10-2 |
| The V-Block Design | 10-3 |
| Starting Up AutoCAD LT® 2012 | 10-4 |
| The 2D Sketch of the Base | 10-5 |
| UCS – It is an XY CRT, but an XYZ World | 10-6 |
| Viewing the 2D Sketch in 3D Space | 10-7 |
| Creating a Wireframe Box | 10-9 |
| Using the <i>View</i> and <i>UCS</i> Toolbars | 10-10 |
| Creating Construction Lines in the Front View | 10-11 |
| Copying in the Negative Z Direction | 10-12 |
| Creating an Inclined Line at the Base of the Model | 10-13 |
| Creating Object Lines | 10-14 |
| Multiple Viewports | 10-16 |
| Using the Mirror Command | 10-17 |
| Turn <i>OFF</i> the Construction Lines | 10-19 |
| Creating a NEW UCS | 10-20 |
| Changing the Displayed View and Creating a Named View | 10-21 |
| Creating the V-Cut Feature on the Inclined Plane | 10-23 |
| Extend the Cut and GRIP Editing | 10-24 |
| Conclusion | 10-25 |
| Review Questions | 10-26 |
| Exercises | 10-27 |

Index