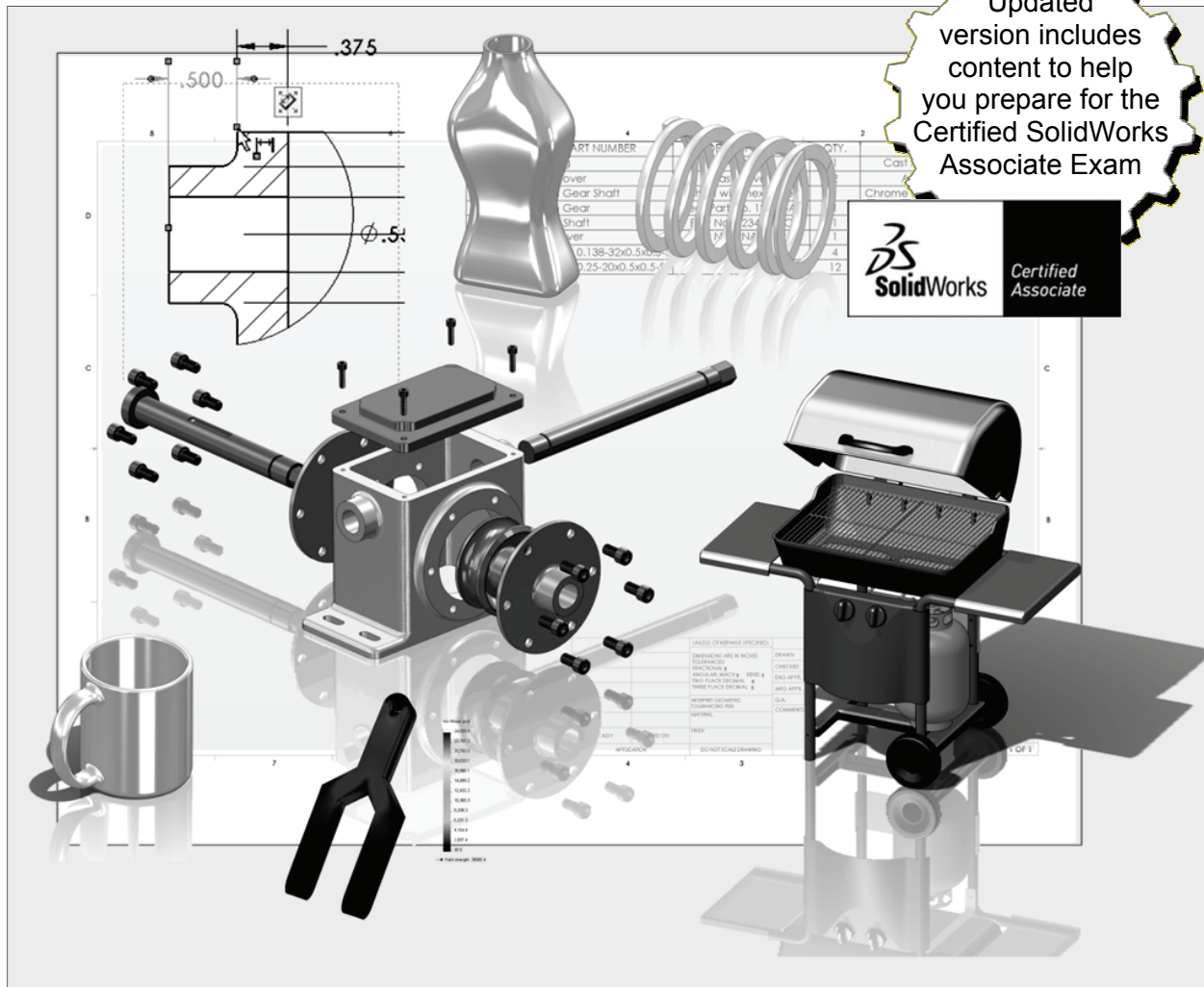


Beginner's Guide to SolidWorks 2011 – Level I



Alejandro Reyes, MSME
Certified SolidWorks Professional



SDC
PUBLICATIONS

www.SDCpublications.com

Schroff Development Corporation

Table of Contents

Introduction	1
Prerequisites.....	1
The SolidWorks Interface	3
Part Modeling	9
The Housing.....	11
The Side Cover.....	71
The Top Cover.....	83
The Offset Shaft.....	105
The Worm Gear.....	125
The Worm Gear Shaft.....	137
Special Features: Sweep and Loft	143
Sweep: Cup and Springs.....	145
Loft: Bottle.....	163
Detail Drawing	175
Drawing One: The Housing.....	177
Drawing Two: The Side Cover.....	201
Drawing Three: The Top Cover.....	211
Drawing Four: The Offset Shaft.....	223
Drawing Five: The Worm Gear.....	229
Drawing Six: The Worm Gear Shaft.....	239
Assembly Modeling	247
The Gear Housing Assembly.....	249
SmartMates.....	273
Fasteners.....	283
Configurations using Design Tables.....	291
Interference Detection.....	299
Exploded View.....	303
Assembly Drawing.....	309
Analysis: SimulationXpress	317
Collaboration: eDrawings	337
How to collaborate with non-SolidWorks users.....	337
Final Comments	341
Appendix	343
Index	351