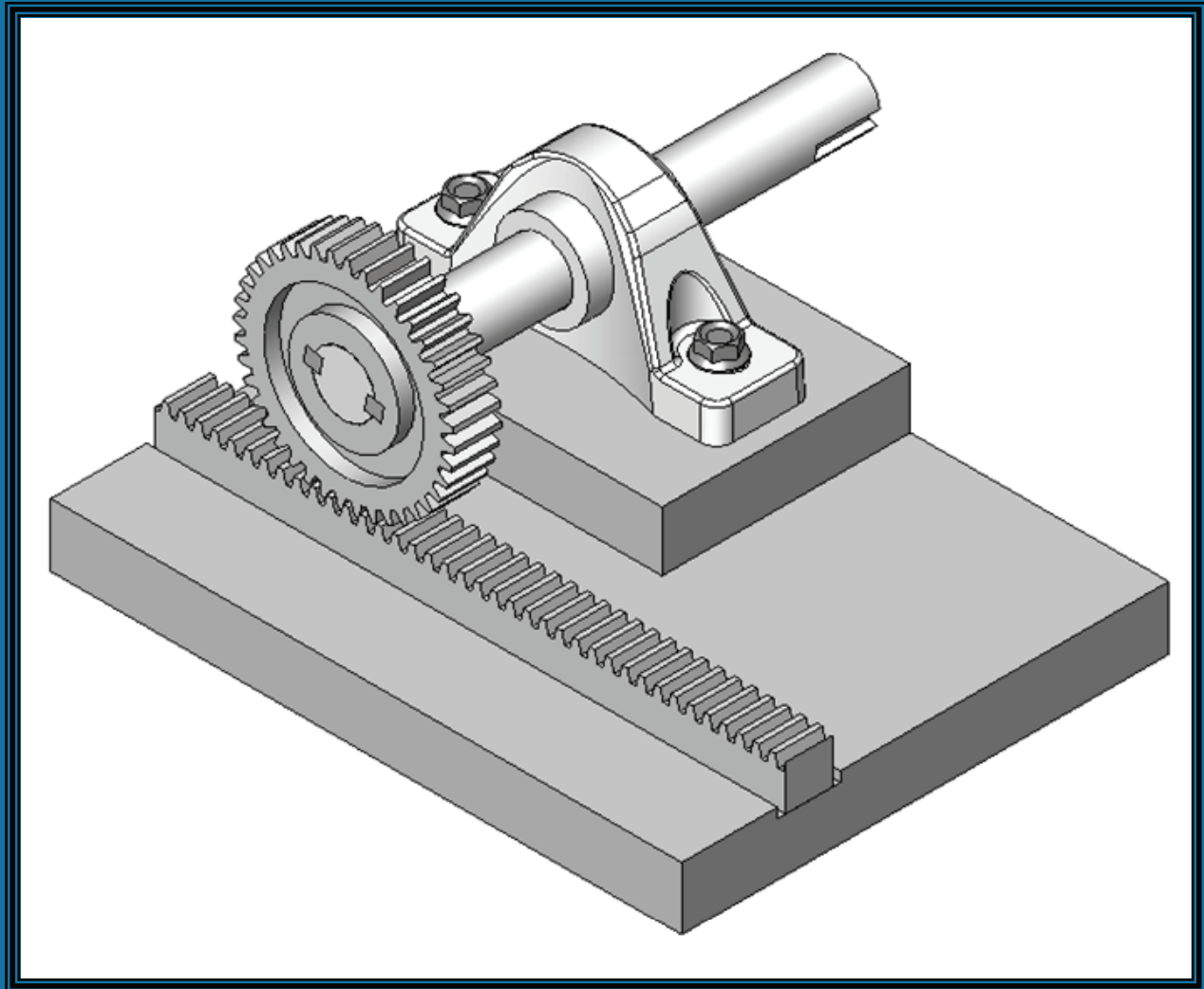


# Commands Guide Tutorial for SolidWorks® 2011

A comprehensive reference guide with over 230 tutorials

David C. Planchard & Marie P. Planchard CSWP



**SDC**  
PUBLICATIONS

[www.SDCpublications.com](http://www.SDCpublications.com)  
Schroff Development Corporation



---

# TABLE OF CONTENTS

<b>Introduction</b>	<b>I-1</b>
About the Book	I-1
About the Authors	I-2
Acknowledgment	I-3
Contact the Authors	I-3
Trademarks, Disclaimer and Copyrighted Material	I-4
Note to Instructors	I-4
References	I-4
Table of Contents	I-6
Command Syntax	I-23
Windows Terminology in SolidWorks	I-23
<b>Chapter 1 - Quick Start</b>	<b>1-1</b>
Chapter Objective	1-1
What is SolidWorks?	1-2
Basic concepts in SolidWorks	1-3
Start a SolidWorks Session	1-5
<i>Tutorial: Starting a SolidWorks Session 1-1</i>	1-6
SolidWorks User Interface (UI) and CommandManager	1-6
Menu Bar toolbar	1-6
Menu Bar menu	1-7
Drop-down menu	1-7
Right-click	1-8
Consolidated toolbar	1-8
System feedback	1-8
Confirmation Corner	1-9
Heads-up View toolbar	1-9
CommandManager (Part)	1-11
CommandManager (Drawing)	1-12
CommandManager (Assembly)	1-13
FeatureManager Design Tree	1-15
Fly-out FeatureManager	1-17
Task Pane	1-18
SolidWorks Resources	1-18
Design Library	1-18
File Explorer	1-19
Search	1-19
View Palette	1-19
Appearances/Scenes	1-20
Custom Properties	1-20
Document Recovery	1-20
Motion Study	1-21
Create New Parts	1-23
<i>Tutorial: Axle 1-1</i>	1-23
<i>Tutorial: Flatbar 1-2</i>	1-28
Create a New Assembly	1-33
<i>Tutorial: AirCylinder Linkage Assembly 1-3</i>	1-33
Create a New Drawing	1-38
<i>Tutorial: AirCylinder Linkage Drawing 1-4</i>	1-38
Summary	1-41
Key Terms	1-42

<b>Chapter 2 - SolidWorks System Options</b>	<b>2-1</b>
Chapter Objective	2-1
System Options	2-1
<i>Tutorial: Close All Models 2-1</i>	2-1
General	2-2
Drawings:	2-5
Display Style	2-7
Area Hatch/Fill	2-8
Colors	2-9
Sketch	2-11
Relations/Snaps	2-13
Display/Selection	2-14
Performance	2-18
Assemblies	2-21
External References	2-22
Default Templates	2-24
File Locations	2-25
<i>Tutorial: Document Templates Location 2-2</i>	2-25
<i>Tutorial: Referenced Document Location 2-3</i>	2-26
<i>Tutorial: Design Library Location 2-4</i>	2-26
FeatureManager	2-27
Spin Box Increments	2-28
View	2-29
Backup/Recover	2-29
Hole Wizard/Toolbox	2-31
File Explorer	2-31
File and Model Search	2-32
Collaboration	2-32
Advance	2-33
Saving Custom Interface Settings	2-33
Summary	2-34
<b>Chapter 3 - SolidWorks Document Properties</b>	<b>3-1</b>
Chapter Objective	3-1
Document Properties / Templates	3-2
<i>Tutorial: Close All Models 3-1</i>	3-2
Drafting Standard:	3-2
Annotations - General	3-3
Annotations - Balloons	3-5
Annotations - Datums	3-7
Annotations - Geometric Tolerance	3-9
Annotations - Notes	3-10
Annotations - Surfaces Finishes	3-11
Annotations - Weld Symbols	3-12
Dimensions	3-13
Dimensions - Angle	3-17
Dimensions - Arc Length	3-18
Dimensions - Chamfer	3-20
Dimensions - Diameter	3-21
Dimensions - Hole Callout	3-23
Dimensions - Linear	3-25
Dimensions - Ordinate	3-27
Dimensions - Radius	3-29
Virtual Sharps	3-31

## Introduction

Tables	3-31
Bill of Materials	3-31
Title Block Table	3-33
Detailing	3-33
Grid/Snap	3-34
Units	3-35
Model Display	3-37
Material Properties	3-37
Image Quality	3-38
Sheet Metal	3-39
Plane Display	3-39
<i>Tutorial: Assembly Template 3-2</i>	3-40
<i>Tutorial: Part Template 3-3</i>	3-41
DimXpert	3-42
DimXpert - Size Dimensions	3-43
DimXpert - Location Dimension	3-44
DimXpert - Chain Dimension	3-44
DimXpert - Geometric Tolerance	3-45
DimXpert - Chamfer Controls	3-47
DimXpert - Display Options	3-47
Drawing Document Properties Section	3-48
Dimensions - Centerlines/Center Marks	3-49
Dimensions - DimXpert	3-50
Tables - General	3-51
Tables - Holes	3-52
Tables - Revision	3-54
Tables - Weld Table	3-55
View Labels	3-55
Detailing	3-56
Line Font	3-57
Line Style	3-57
Line Thickness	3-58
Sheet Metal	3-58
Summary	3-59
<b>Chapter 4 - Design Intent, Sketching and Sketch Entities</b>	<b>4-1</b>
Chapter Objective	4-1
Design Intent	4-2
Design Intent in a Sketch	4-2
Design Intent in a Feature	4-3
Design Intent in a Part	4-3
Design Intent in an Assembly	4-4
Design Intent in a Drawing	4-4
SolidWorks Design Intent tools	4-4
Comments	4-4
Design Binder	4-5
ConfigurationManager	4-5
Dimensions	4-5
Equations	4-5
Design Tables	4-6
Features	4-6
Sketching / Reference Planes	4-6
2D Sketching / Reference Planes	4-7
<i>Tutorial: Default Reference Planes 4-1</i>	4-8

3D Sketching / Reference Planes	4-9
<i>Tutorial: 3D Sketching 4-1</i>	4-10
<i>Tutorial: 3D Sketching 4-2</i>	4-10
<i>Tutorial: 3D Sketching 4-3</i>	4-12
<i>Tutorial: 3D Sketching 4-4</i>	4-13
2D Sketching / Inserting Reference Planes	4-15
Plane Tool	4-15
<i>Tutorial: Reference Plane 4-1</i>	4-17
<i>Tutorial: Reference Plane 4-2</i>	4-17
<i>Tutorial: Reference Plane 4-3</i>	4-18
<i>Tutorial: Reference Plane 4-4</i>	4-19
Parent/Child Relationship	4-19
<i>Tutorial: Parent-Child 4-1</i>	4-19
Sketch States	4-20
Sketch Entities:	4-21
Line Sketch Entity	4-21
Rectangle and Parallelogram Sketch Entity	4-22
Slot Sketch Entity	4-23
<i>Tutorial: Slot Sketch - Instant3D 4-1</i>	4-24
Polygon Sketch Entity	4-26
<i>Tutorial: Polygon 4-1</i>	4-27
Circle Sketch and Perimeter Circle Sketch Entity	4-28
<i>Tutorial: Perimeter Circle 4-1</i>	4-29
Centerpoint Arc Sketch Entity	4-30
<i>Tutorial: Centerpoint Arc 4-1</i>	4-31
Tangent Arc Sketch Entity	4-31
<i>Tutorial: Tangent Arc 4-1</i>	4-31
3 Point Arc Sketch Entity	4-31
<i>Tutorial: 3 Point Arc 4-1</i>	4-33
Ellipse Sketch Entity	4-34
<i>Tutorial: Ellipse 4-1</i>	4-34
Partial Ellipse Sketch Entity	4-34
Parabola Sketch Entity	4-35
<i>Tutorial: Parabola 4-1</i>	4-35
Spline Sketch Entity	4-36
Spline Toolbar	4-38
<i>Tutorial: Spline 4-1</i>	4-39
<i>Tutorial: 2D Spline 4-2</i>	4-39
<i>Tutorial: 3D Spline 4-1</i>	4-41
<i>Tutorial: 3D Spline 4-2</i>	4-41
<i>Tutorial: 3D Spline 4-3</i>	4-41
Add New elements to a 3D Spline	4-41
Spline on Surface Entity	4-43
<i>Tutorial: Spline on Surface 4-1</i>	4-43
Intelligent modeling	4-44
Equation Driven Curve	4-44
<i>Tutorial: Equation Driven Curve 4-1</i>	4-44
Curve Through XYZ Points	4-45
<i>Tutorial: Curve Through XYZ Points 4-1</i>	4-46
Curve Through Reference Points	4-47
Point Sketch Entity	4-47
Centerline Sketch Entity	4-48
Text Sketch Entity	4-49
<i>Tutorial: Text 4-1</i>	4-50
Plane Sketch Entity	4-51
<i>Tutorial: Sketch Plane 4-1</i>	4-52

Route Line Sketch Entity:	4-53
<i>Tutorial: Route Line 4-1</i>	4-54
<i>Tutorial: Route Line 4-2</i>	4-55
Belt/Chain Sketch Entity	4-57
Blocks	4-58
Blocks Toolbar	4-58
<i>Tutorial: Block 4-1</i>	4-59
<i>Tutorial: Belt-Chain 4-2</i>	4-60
Reusing a Sketch	4-61
<i>Tutorial: Shard Sketch 4-1</i>	4-61
Summary	4-62
<b>Chapter 5 - Sketch Tools, Geometric Relations and Dimensions/Relations tools</b>	<b>5-1</b>
Chapter Objective	5-1
Sketch Tools	5-2
Sketch Fillet Sketch tool	5-2
<i>Tutorial: 2D Sketch Fillet 5-1</i>	5-3
<i>Tutorial: 3D Sketch Fillet 5-2</i>	5-4
Sketch Chamfer Sketch tool	5-5
<i>Tutorial: Sketch Chamfer 5-1</i>	5-5
<i>Tutorial: Sketch Chamfer 5-2</i>	5-6
<i>Tutorial: Sketch Chamfer 5-3</i>	5-7
Offset Entities Sketch tool	5-7
<i>Tutorial: Offset Entity 5-1</i>	5-8
<i>Tutorial: Offset Entity 5-2</i>	5-9
Convert Entities Sketch tool	5-9
<i>Tutorial: Convert Entity 5-1</i>	5-10
Intersection Curve Sketch tool	5-10
<i>Tutorial: Intersection Curve 5-1</i>	5-11
Face Curves Sketch tool	5-12
<i>Tutorial: Face Curve 5-1</i>	5-13
<i>Tutorial: Face Curve 5-2</i>	5-14
Trim Entities Sketch tool	5-14
<i>Tutorial: Trim Entity 5-1</i>	5-15
<i>Tutorial: Trim Entity 5-2</i>	5-15
Extend Entities Sketch tool	5-16
<i>Tutorial: Extend Entity 5-1</i>	5-16
Split Entities Sketch tool	5-16
<i>Tutorial: Split Entity 5-1</i>	5-17
Construction Geometry Sketch tool	5-17
<i>Tutorial: Construction Geometry 5-1</i>	5-17
Jog Line Sketch tool	5-18
<i>Tutorial: Jog line 5-1</i>	5-18
<i>Tutorial: Jog line 5-2</i>	5-19
Make Path Sketch tool	5-19
<i>Tutorial: Make Path 5-1</i>	5-20
Mirror Sketch tool	5-21
<i>Tutorial: Mirror Entity 5-1</i>	5-22
Dynamic Mirror Sketch tool	5-22
<i>Tutorial: Dynamic Mirror 5-1</i>	5-23
Stretch Sketch tool	5-23
<i>Tutorial: Stretch 5-1</i>	5-24
Move Sketch tool	5-25
<i>Tutorial: Move 5-1</i>	5-26
Copy Sketch tool	5-27
<i>Tutorial: Copy 5-1</i>	5-27

Scale Sketch tool	5-28
<i>Tutorial: Scale 5-1</i>	5-28
Rotate Sketch tool	5-29
<i>Tutorial: Rotate 5-1</i>	5-30
Linear Pattern Sketch tool	5-30
<i>Tutorial: Linear Pattern 5-1</i>	5-32
Circular Pattern Sketch tool	5-33
<i>Tutorial: Circular Pattern 5-1</i>	5-34
SketchXpert	5-35
<i>Tutorial: SketchXpert 5-1</i>	5-36
Align Sketch tool	5-38
Sketch tool	5-38
Align Grid/Origin Sketch tool	5-38
Custom Menu	5-38
<i>Tutorial: Align 5-1</i>	5-39
Modify Sketch tool	5-40
<i>Tutorial: Modify 5-1</i>	5-41
2D to 3D Sketch Tool	5-41
<i>Tutorial: 2D to 3D Sketch tool 5-1</i>	5-43
Creates Sketch from Selections	5-45
<i>Tutorial: Create Sketch from Selections 5-1</i>	5-45
Repair	5-45
<i>Tutorial: Repair Sketch 5-1</i>	5-46
Sketch Picture	5-46
<i>Tutorial: Sketch Picture 5-1</i>	5-47
Geometric Relations 2D Sketches	5-48
Automatic Relations	5-48
Manual Relations	5-49
Geometric Relations in 3D Sketches	5-52
3D Sketch Relations	5-52
Dimension/Relations Toolbar	5-53
Smart Dimension tool	5-54
Smart Dimension tool - Value tab	5-54
Smart Dimension tool - Leaders tab	5-57
Smart Dimension tool - Other tab	5-59
Horizontal Dimension tool	5-59
Vertical Dimension tool	5-59
Baseline Dimension tool	5-60
<i>Tutorial: Baseline Dimension Drawing 5-1</i>	5-60
Ordinate Dimension tool	5-61
<i>Tutorial: Ordinate Dimension Drawing 5-1</i>	5-61
Horizontal Ordinate Dimension	5-62
Vertical Ordinate Dimension	5-62
Chamfer Dimension	5-62
<i>Tutorial: Chamfer Dimension Drawing 5-1</i>	5-62
Add Relation tool	5-63
<i>Tutorial: Add Relation 5-1</i>	5-64
<i>Tutorial: Add Relation 5-2</i>	5-64
<i>Tutorial: Add Relation 5-3</i>	5-65
Display/Delete Relations Dimension tool	5-65
<i>Tutorial: Display/Delete 5-1</i>	5-66
Fully Defined Sketch tool	5-67
<i>Tutorial: Fully Defined 5-1</i>	5-68
DimXpertManager	5-69

DimXpert toolbar	5-70
Auto Dimension Scheme tool	5-71
<i>Tutorial: DimXpert 5-1</i>	5-73
<i>Tutorial: DimXpert 5-2</i>	5-74
<i>Tutorial: DimXpert 5-3</i>	5-79
Show Tolerance Status	5-80
Copy Scheme	5-81
TolAnalyst Study	5-81
Summary	5-83
<b>Chapter 6 - Extruded Boss/Base, Extruded Cut, Fillet and Cosmetic Features</b>	<b>6-1</b>
Chapter Objective	6-1
Extruded Features	6-1
Extruded Boss/Base Feature	6-2
<i>Tutorial: Boss/Base Extrude 6-1</i>	6-8
Detailed Preview PropertyManager	6-9
<i>Tutorial: Boss/Base Extrude 6-2</i>	6-10
<i>Tutorial: Boss/Base Extrude 6-3</i>	6-12
Extruded Cut Feature	6-12
<i>Tutorial: Extruded Cut 6-1</i>	6-18
<i>Tutorial: Extruded Cut 6-2</i>	6-20
<i>Tutorial: Extruded Cut 6-3</i>	6-21
Extruded Solid Thin Feature	6-22
<i>Tutorial: Solid Thin 6-1</i>	6-22
Extruded Surface Feature	6-23
<i>Tutorial: Extruded Surface 6-1</i>	6-26
Cut With Surface Feature	6-27
<i>Tutorial: Cut With Surface 6-1</i>	6-28
<i>Tutorial: Cut With Surface 6-2</i>	6-29
Fillets in General	6-30
Fillet Feature	6-31
Fillet PropertyManager: Manual Tab	6-31
Control Points	6-34
<i>Tutorial: Fillet 6-1</i>	6-35
<i>Tutorial: Fillet 6-2</i>	6-35
<i>Tutorial: Fillet 6-3</i>	6-36
<i>Tutorial: Fillet 6-4</i>	6-38
FilletXpert PropertyManager	6-38
FilletXpert PropertyManager: Add Tab	6-39
FilletXpert PropertyManager: Change Tab	6-39
FilletXpert PropertyManager: Corner Tab	6-40
<i>Tutorial: Fillet 6-5</i>	6-40
<i>Tutorial: Fillet 6-6</i>	6-41
<i>Tutorial: Fillet 6-7</i>	6-41
Cosmetic Thread Feature	6-42
<i>Tutorial: Cosmetic Thread 6-1</i>	6-44
Cosmetic Pattern	6-45
<i>Tutorial: Cosmetic Patter 6-1</i>	6-45
Summary	6-47
<b>Chapter 7 - Revolved, Simple Hole, Hole Wizard and Dome Features</b>	<b>7-1</b>
Chapter Objective	7-1
Revolved Boss/Base Feature	7-1
<i>Tutorial: Revolve Boss/Base 7-1</i>	7-4
<i>Tutorial: Revolve Boss/Base 7-2</i>	7-5
<i>Tutorial: Revolve Boss/Base 7-3</i>	7-5



Revolved Cut Feature	7-7
<i>Tutorial: Revolved Cut 7-1</i>	7-8
<i>Tutorial: Revolved Cut 7-2</i>	7-9
Revolved Boss Thin Feature	7-10
<i>Tutorial: Revolve Boss Thin 7-1</i>	7-10
Revolved Surface Feature	7-11
<i>Tutorial: Revolved Surface 7-1</i>	7-12
<i>Tutorial: Revolved Surface 7-2</i>	7-12
Simple Hole Feature	7-14
<i>Tutorial: Simple Hole 7-1</i>	7-14
Hole Wizard Feature	7-15
<i>Tutorial: Hole Wizard 7-1</i>	7-19
<i>Tutorial: Hole Wizard 7-2</i>	7-21
<i>Tutorial: Hole Wizard 7-3</i>	7-22
<i>Tutorial: Hole Wizard 7-4</i>	7-23
Dome Feature	7-26
<i>Tutorial: Dome 7-1</i>	7-27
<i>Tutorial: Dome 7-2</i>	7-27
Summary	7-28
<b>Chapter 8 - Shell, Draft and Rib Features</b>	<b>8-1</b>
Chapter Objective	8-1
Shell Feature	8-1
<i>Tutorial: Shell 8-1</i>	8-3
<i>Tutorial: Shell 8-2</i>	8-4
Draft Feature	8-4
Draft PropertyManager	8-5
Draft PropertyManager: Manual Tab	8-5
<i>Tutorial: Draft 8-1</i>	8-7
<i>Tutorial: Draft 8-2</i>	8-7
DraftXpert PropertyManager: Add/Change Tab	8-8
<i>Tutorial: DraftXpert 8-1</i>	8-10
<i>Tutorial: DraftXpert 8-2</i>	8-11
Rib Feature	8-12
<i>Tutorial: Rib 8-1</i>	8-14
<i>Tutorial: Rib 8-2</i>	8-15
<i>Tutorial: Rib 8-3</i>	8-15
<i>Tutorial: Rib 8-4</i>	8-16
Summary	8-17
<b>Chapter 9 - Pattern Features, Mirror Features and Coordinate System PropertyManager</b>	<b>9-1</b>
Chapter Objective	9-1
Linear Pattern Feature	9-1
<i>Tutorial: Linear Pattern 9-1</i>	9-4
<i>Tutorial: Linear Pattern 9-2</i>	9-5
<i>Tutorial: Linear Pattern 9-3</i>	9-6
<i>Tutorial: Linear Pattern 9-4</i>	9-7
Circular Pattern Feature	9-8
<i>Tutorial: Circular Pattern 9-1</i>	9-11
Curve Driven Pattern Feature	9-12
<i>Tutorial: Curve Driven 9-1</i>	9-14
Sketch Driven Pattern	9-15
<i>Tutorial: Sketch Driven 9-1</i>	9-16
Table Driven Pattern Feature	9-17

## Introduction

Coordinate System PropertyManager	9-18
<i>Tutorial: Table Driven 9-1</i>	9-20
<i>Tutorial: Table Driven 9-2</i>	9-21
Fill Pattern Feature	9-22
<i>Tutorial: Fill Pattern 9-1</i>	9-26
Mirror Feature	9-26
<i>Tutorial: Mirror 9-1</i>	9-28
Summary	9-29
<b>Chapter 10 - Swept, Loft, Wrap and Flex Features</b>	<b>10-1</b>
Chapter Objective	10-1
Swept Feature	10-1
Swept Boss/Base Feature	10-2
<i>Tutorial: Swept Base 10-1</i>	10-5
<i>Tutorial: Swept Base 10-2</i>	10-6
<i>Tutorial: Swept Boss 10-1</i>	10-7
<i>Tutorial: 3D Swept Base 10-1</i>	10-8
Swept Thin Feature	10-9
<i>Tutorial: Swept Thin 10-1</i>	10-9
<i>Tutorial: Swept Guide Curves 10-1</i>	10-10
<i>Tutorial: Swept Guide Curves 10-2</i>	10-11
<i>Tutorial: Swept Twist 10-1</i>	10-11
<i>Tutorial: Swept Merge Tangent Faces 10-1</i>	10-12
Swept Cut Feature	10-13
<i>Tutorial: Swept Cut 10-1</i>	10-13
<i>Tutorial: Swept Cut 10-2</i>	10-15
Loft Feature	10-15
<i>Tutorial: Loft 10-1</i>	10-21
<i>Tutorial: Loft Guide Curves 10-1</i>	10-22
<i>Tutorial: Loft to Point 10-1</i>	10-22
<i>Tutorial: Loft Multi-body 10-1</i>	10-23
<i>Tutorial: Loft Twist 10-1</i>	10-25
Loft Cut Feature	10-25
<i>Tutorial: Loft Cut 10-1</i>	10-25
<i>Tutorial: Loft Flex 10-1</i>	10-25
Adding A Loft Section	10-26
<i>Tutorial: Add Loft section 10-1</i>	10-27
Wrap Feature	10-27
<i>Tutorial: Wrap 10-1</i>	10-28
<i>Tutorial: Wrap 10-2</i>	10-29
Flex Feature	10-30
Summary	10-31
<b>Chapter 11 - Bottom-Up Assembly Modeling and More</b>	<b>11-1</b>
Chapter Objective	11-1
Bottom-Up Assembly Modeling	11-2
Terminology Review	11-2
Design Table	11-2
Hide Components	11-2
Lightweight Components	11-2
Suppress	11-2
Assembly Configuration Methods	11-3
Manual (Add Configuration)	11-3
Design Tables	11-6
Configure Component tool / Configure Dimension tool	11-8
Assembly Task List - Before you begin	11-9

Assembly Templates	11-9
Assembly FeatureManager and Component States	11-10
General Mates Principles	11-12
Mate PropertyManager	11-13
Mate PropertyManager - Mates tab	11-13
<i>Tutorial: Coincident and Distance Mate 11-1</i>	11-17
<i>Tutorial: Angle Mate 11-1</i>	11-18
<i>Tutorial: Angle Mate 11-2</i>	11-19
<i>Tutorial: Gear Mate 11-1</i>	11-20
<i>Tutorial: Cam Mate 11-1</i>	11-21
<i>Tutorial: Rack Pinion Gear Mate 11-1</i>	11-22
<i>Tutorial: Hinge Mate 11-1</i>	11-24
<i>Tutorial: Screw Mate 11-1</i>	11-26
<i>Tutorial: Universal Joint Mate 11-1</i>	11-27
<i>Tutorial: Path Mate 11-1</i>	11-28
<i>Tutorial: Limit Mate 11-1</i>	11-29
<i>Tutorial: Width Mate 11-1</i>	11-30
<i>Tutorial: Symmetric Mate 11-1</i>	11-31
Mate PropertyManager - Analysis Tab	11-32
<i>Tutorial: Assign Mate properties with the Analysis tab 11-1</i>	11-33
SmartMates	11-34
Types of SmartMates	11-34
<i>Tutorial: SmartMate 11-1</i>	11-35
<i>Tutorial: SmartMate 11-2</i>	11-36
InPlace Mates	11-37
<i>Tutorial: InPlace Mate 11-1</i>	11-38
Mate References	11-39
<i>Tutorial: Mate Reference 11-1</i>	11-40
Mate Diagnostics/MateXpert	11-41
<i>Tutorial: MateXpert 11-1</i>	11-43
AssemblyXpert	11-46
<i>Tutorial: AssemblyXpert 11-1</i>	11-46
Assembly Visualization	11-46
<i>Tutorial: Assembly Visualization 11-1</i>	11-47
Large Assembly mode	11-48
Fully Resolved	11-48
Lightweight	11-48
Quick View	11-48
Selective Open	11-48
Instant3D in an Assembly	11-50
<i>Tutorial: Instant3D 11-1</i>	11-50
<i>Tutorial: Instant3D 11-2</i>	11-50
Summary	11-51
<b>Chapter 12 - Top-Down Assembly Modeling and More</b>	<b>12-1</b>
Chapter Objective	12-1
Top-Down Assembly Modeling	12-2
Assembly Methods	12-2
In-Context	12-3
Out of Context	12-4
Assembly Toolbar	12-4
Insert Component tool	12-4
New Part tool	12-5
New Assembly tool	12-5
<i>Tutorial: Insert a feature In-Context of an assembly 12-1</i>	12-5
<i>Tutorial: New Part In-Context of an assembly 12-1</i>	12-6

## Introduction

<i>Tutorial: Layout Sketch Assembly 12-1</i>	12-7
<i>Tutorial: Entire Assembly 12-2</i>	12-8
<i>Tutorial: Layout tool with Block Assembly 12-3</i>	12-9
<i>Tutorial: Layout tool with Block Assembly 12-4</i>	12-11
Copy with Mates tool	12-14
Mate tool	12-14
Linear Component Pattern tool	12-14
Smart Fasteners tool	12-14
<i>Tutorial: Insert a Smart Fastener 12-1</i>	12-16
<i>Tutorial: Insert a Smart Fastener 12-2</i>	12-18
Move Component tool	12-19
Rotate Component tool	12-21
Show Hidden Components	12-21
Consolidated Assembly Features	12-21
Consolidated Reference Geometry	12-21
Bill of Materials	12-21
New Motion Study	12-22
Animation Wizard	12-23
Basic Motion	12-23
Animation Wizard	12-24
Linear / Rotary Motor	12-24
Spring	12-24
Contact	12-26
Gravity tool	12-26
<i>Tutorial: Motion Study 12-1</i>	12-26
<i>Tutorial: Motion Study 12-2</i>	12-28
Exploded View tool	12-30
<i>Tutorial: Exploded View 12-1</i>	12-31
Exploded Line Sketch tool	12-32
<i>Tutorial: Exploded Line Sketch 12-1</i>	12-32
Interference Detection tool	12-34
<i>Tutorial: Interference Detection 12-1</i>	12-35
Clearance Verification	12-37
AssemblyXpert	12-39
Hide/Show Components / Display Pane	12-39
<i>Tutorial: Component States 12-1</i>	12-39
Edit Component tool	12-40
<i>Tutorial: Edit Component 12-1</i>	12-41
Configurations	12-42
Manual Configurations	12-43
Manual Configuration / Add Configuration PropertyManager	12-43
<i>Tutorial: Manual Configuration 12-1</i>	12-45
Manual Configuration / Edit Configuration	12-46
<i>Tutorial: Manual Configuration 12-2</i>	12-47
Automatic Configuration: Design Tables	12-47
<i>Tutorial: Design Table 12-1</i>	12-48
<i>Tutorial: Design Table 12-2</i>	12-49
Configure Component tool / Configure Dimension tool	12-50
<i>Tutorial: Configure component / Dimension tool 12-1</i>	12-51
Equations	12-52
Equations tool	12-53
<i>Tutorial: Equation 12-1</i>	12-54
<i>Tutorial: Equation 12-2</i>	12-55
Summary	12-57

<b>Chapter 13 - 2D Drawings and eDrawings</b>	<b>13-1</b>
Chapter Objective	13-1
Drawings	13-1
Sheet Format, Size, and Properties	13-2
<i>Tutorial: Sheet Properties 13-1</i>	13-4
View Palette	13-4
<i>Tutorial: View Palette 13-1</i>	13-5
View Layout Toolbar	13-6
Standard 3 Views tool	13-7
<i>Tutorial: Standard 3 View 13-1</i>	13-7
Model View tool	13-8
<i>Tutorial: Model View 13-1</i>	13-11
Projected View tool	13-12
<i>Tutorial: Projected View 13-1</i>	13-14
Auxiliary View tool	13-15
<i>Tutorial: Auxiliary View 13-1</i>	13-17
<i>Tutorial: Auxiliary View 13-2</i>	13-17
Section View tool	13-18
<i>Tutorial: Section View 13-1</i>	13-21
Aligned Section View tool	13-22
<i>Tutorial: Aligned Section View</i>	13-22
<i>Tutorial: Copy / Paste 13-1</i>	13-23
Detail View tool	13-24
<i>Tutorial: Detail View 13-1</i>	13-26
Broken-out Section tool	13-28
<i>Tutorial: Broken-out Section 13-1</i>	13-28
Break tool	13-29
<i>Tutorial: Break View 13-1</i>	13-30
Crop tool	13-30
<i>Tutorial: Crop View 13-1</i>	13-31
Alternate Position View tool	13-32
<i>Tutorial: Alternate Position 13-1</i>	13-32
Annotations Toolbar	13-33
Smart Dimension tool	13-34
Smart Dimension tool: DimXpert tab	13-34
<i>Tutorial: Smart Dimension 13-1</i>	13-35
Smart Dimension tool: AutoDimension tab	13-36
<i>Tutorial: Autodimension 13-1</i>	13-37
Model Items tool	13-38
<i>Tutorial: Model Items view 13-1</i>	13-40
Note tool	13-40
<i>Tutorial: Note 13-1</i>	13-43
Linear Note Pattern tool	13-44
Spell Checker tool	13-45
Format Painter tool	13-45
<i>Tutorial: Format Painter 13-1</i>	13-45
Balloon tool	13-46
<i>Tutorial: Balloon 13-1</i>	13-47
AutoBalloon tool	13-48
<i>Tutorial: AutoBalloon 13-1</i>	13-50
Surface Finish tool	13-51
<i>Tutorial: Surface Finish 13-1</i>	13-53
Weld Symbol tool	13-53
<i>Tutorial: Weld Symbol 13-1</i>	13-54
Geometric Tolerance tool	13-56
<i>Tutorial: Geometric Tolerance 13-1</i>	13-57

Datum Feature tool	13-59
<i>Tutorial: Datum Feature 13-1</i>	13-61
Datum Target tool	13-62
Hole Callout tool	13-63
<i>Tutorial: Hole Callout 13-1</i>	13-63
Revision Symbol tool	13-64
<i>Tutorial: Revision Symbol 13-1</i>	13-64
Area Hatch/Fill tool	13-65
<i>Tutorial: Area Hatch/Fill 13-1</i>	13-66
Block tool	13-67
Center Mark tool	13-67
<i>Tutorial: Center Mark 13-1</i>	13-69
Centerline tool	13-70
<i>Tutorial: Centerline 13-1</i>	13-70
Consolidated Table toolbar	13-71
Table tool - General	13-71
Table tool - Hole	13-72
Table tool - Bill of Materials	13-73
<i>Tutorial: Bill of Materials 13-1</i>	13-75
Table tool- Revision Table	13-76
DimXpert Dimensions and Drawings	13-77
<i>Tutorial: DimXpert 13-1</i>	13-77
<i>Tutorial: DimXpert 13-2</i>	13-81
<i>Tutorial: DimXpert 13-3</i>	13-81
eDrawings	13-83
eDrawings Toolbar	13-84
Publish eDrawings 2011 File tool	13-84
Animate with eDrawings 2011 tool	13-84
<i>Tutorial: eDrawing 13-1</i>	13-85
Line Formats Toolbar	13-85
Layer Properties	13-86
Line Color	13-86
Line Thickness	13-86
Line Style	13-87
Hidden Edge	13-87
Color Display Mode	13-87
Summary	13-87
<b>Chapter 14 - Sheet Metal</b>	<b>14-1</b>
Chapter Objective	14-1
Sheet Metal	14-1
Sheet Metal Toolbar	14-2
Base-Flange/Tab tool	14-2
<i>Tutorial: Base Flange 14-1</i>	14-4
Convert to Sheet Metal tool	14-5
<i>Tutorial: Convert to Sheet Metal 14-1</i>	14-6
Lofted Bend tool	14-7
<i>Tutorial: Lofted Blend 14-1</i>	14-8
Edge Flange tool	14-8
<i>Tutorial: Edge Flange 14-1</i>	14-11
<i>Tutorial: Edge Flange 14-2</i>	14-11
Miter Flange tool	14-13
<i>Tutorial: Miter Flange 14-1</i>	14-15
Hem tool	14-15
<i>Tutorial: Hem 14-1</i>	14-17
Sketch Bend tool	14-17

<i>Tutorial: Sketch Bend 14-1</i>	14-18
Jog tool	14-19
<i>Tutorial: Jog 14-1</i>	14-21
Cross-Break tool	14-21
<i>Tutorial: Cross-Break 14-1</i>	14-22
Consolidated Corner toolbar	14-23
Closed Corner tool	14-23
<i>Tutorial: Closed Corner 14-1</i>	14-24
Welded Corner tool	14-25
<i>Tutorial: Welded Corner 14-1</i>	14-25
Break Corner tool	14-26
<i>Tutorial: Break Corner/Corner Trim 14-1</i>	14-26
Simple Hole tool	14-26
Vent tool	14-27
<i>Tutorial: Vent 14-1</i>	14-28
Unfolded tool	14-29
<i>Tutorial: Unfolded 14-1</i>	14-29
Fold tool	14-30
<i>Tutorial: Fold 14-1</i>	14-30
Flatten tool	14-30
<i>Tutorial: Flatten 14-1</i>	14-31
No Bends tool	14-32
Insert Bends tool	14-32
<i>Tutorial: Insert Bends 14-1</i>	14-34
Rip tool	14-34
<i>Tutorial: Rip 14-1</i>	14-35
Sheet Metal Library Feature	14-36
<i>Tutorial: Sheet Metal Library Feature 14-1</i>	14-36
Summary	14-37
<b>Chapter 15 - PhotoView 360 and Measure tool</b>	<b>15-1</b>
Chapter Objective	15-1
SolidWorks PhotoView 360	15-1
Introduction	15-1
PhotoView 360 Toolbar	15-2
Edit Appearance	15-2
Edit Scene	15-3
Edit Decals	15-3
Preview Render	15-4
Options	15-4
Final Render	15-5
Schedule Render	15-5
Recall Last Render	15-5
<i>Tutorial: PhotoView 15-1</i>	15-5
<i>Tutorial: PhotoView 15-2</i>	15-8
Measure Tool	15-10
Arc/Circle Measurements	15-11
Units/Precision	15-11
Show XYZ Measurements	15-11
XYZ Relative To	15-11
Projected On	15-11
<i>Tutorial: Measure 15-1</i>	15-12
Summary	15-13

<b>Chapter 16 - Sharing SolidWorks Documents and Design Library</b>	<b>16-1</b>
Chapter Objective	16-1
Pack and Go	16-2
<i>Tutorial: Pack and Go 16-1</i>	16-4
<i>Tutorial: Pack and Go 16-2</i>	16-5
PDFs of SolidWorks Documents	16-6
3D PDF files	16-6
U3D files	16-6
SolidWorks eDrawings®	16-7
<i>Tutorial: eDrawing 16-1</i>	16-8
SolidWorks Detached Drawings	16-9
Export Drawings to another Software Package	16-9
DXF/DWG translator	16-10
XREFs in AutoCAD DWG files	16-10
Make Assembly Components Virtual	16-10
<i>Tutorial: Virtual Component 16-1</i>	16-11
Design Library	16-12
SolidWorks Toolbox	16-12
Working with Design Library Contents	16-13
<i>Tutorial: Assembly Design Library 16-1</i>	16-13
Add a Design Library tab	16-14
<i>Tutorial: Assembly Design Library 16-2</i>	16-14
SolidWorks Explorer	16-15
<i>Tutorial: SolidWorks Explorer 16-1</i>	16-16
Summary	16-20
<b>Chapter 17 - SimulationXpress, Sustainability/SustainabilityXpress, and FloXpress</b>	<b>17-1</b>
Chapter Objective	17-1
SolidWorks SimulationXpress	17-1
SimulationXpress User Interface	17-2
Welcome	17-2
Fixture	17-2
Load	17-2
Material	17-2
Run	17-2
Results	17-2
<i>Tutorial: SimulationXpress 17-1</i>	17-3
Sustainability/SustainabilityXpress	17-9
Life Cycle Assessment	17-10
Key Elements	17-10
Sustainability Xpress Wizard	17-11
Material Class	17-11
Material Name	17-12
Manufacturing Process	17-12
Manufacturing Region	17-12
Transportation and Usage Region	17-12
References	17-13
SolidWorks Sustainability Methodology	17-14
<i>Tutorial: SustainabilityXpress 17-1</i>	17-14
SolidWorks FloXpress	17-22
<i>Tutorial: FlowXpress 17-1</i>	17-22
Summary	17-25
<b>Chapter 18 - Intelligent Modeling Techniques</b>	<b>18-1</b>
Chapter Objective	18-1
Design Intent	18-2



Sketch	18-2
Geometric Relations	18-3
Fully Defined Sketch	18-3
<i>Tutorial: Fully Defined Sketch tool 18-1</i>	18-4
SketchXpert	18-6
<i>Tutorial: SketchXpert 18-1</i>	18-7
Equations	18-9
Dimension Driven Equations	18-9
<i>Tutorial: Equation 18-1</i>	18-10
Equation Driven Curve	18-12
Explicit Equation	18-12
<i>Tutorial: Explicit Equation Driven Curve 18-1</i>	18-12
Parametric Equation Driven Curve	18-13
<i>Tutorial: Parametric Equation Driven Curve 18-1</i>	18-14
Curves	18-15
<i>Tutorial: Curves Through XYZ Points 18-1</i>	18-16
<i>Tutorial: Projected Composite Curves 18-1</i>	18-18
Feature - End Conditions	18-20
Blind	18-20
Through All	18-20
Up to Next	18-20
Up to Vertex	18-20
Up to Surface	18-20
Offset from Surface	18-20
Up to Body	18-20
Mid Plane	18-20
<i>Tutorial: Feature - End Conditions 18-1</i>	18-21
Along a Vector	18-23
<i>Tutorial: Along a Vector 18-1</i>	18-23
FeatureXpert (Constant Radius)	18-24
Symmetry	18-25
Bodies to mirror	18-25
<i>Tutorial: Bodies to Mirror 18-1</i>	18-25
Planes	18-27
<i>Tutorial: Angle Plane 18-1</i>	18-27
Conic Section and Planes	18-28
<i>Tutorial: Conic Section 18-1</i>	18-21
Assembly	18-29
Assembly Visualization	18-29
<i>Tutorial: Assembly Visualization 18-1</i>	18-30
SolidWorks Sustainability	18-30
MateXpert	18-31
Drawings	18-31
DimXpert	18-31
<i>Tutorial: DimXpert 18-1</i>	18-32
<i>Tutorial: DimXpert 18-1</i>	18-32
Summary	18-35
<b>Appendix</b>	
Types of Decimal Dimensions ASME Y14.5M	<b>A-1</b>
SolidWorks Keyboard Shortcuts	A-2
Helpful On-Line Information	A-4
SolidWorks Document Types	A-5

**Index**