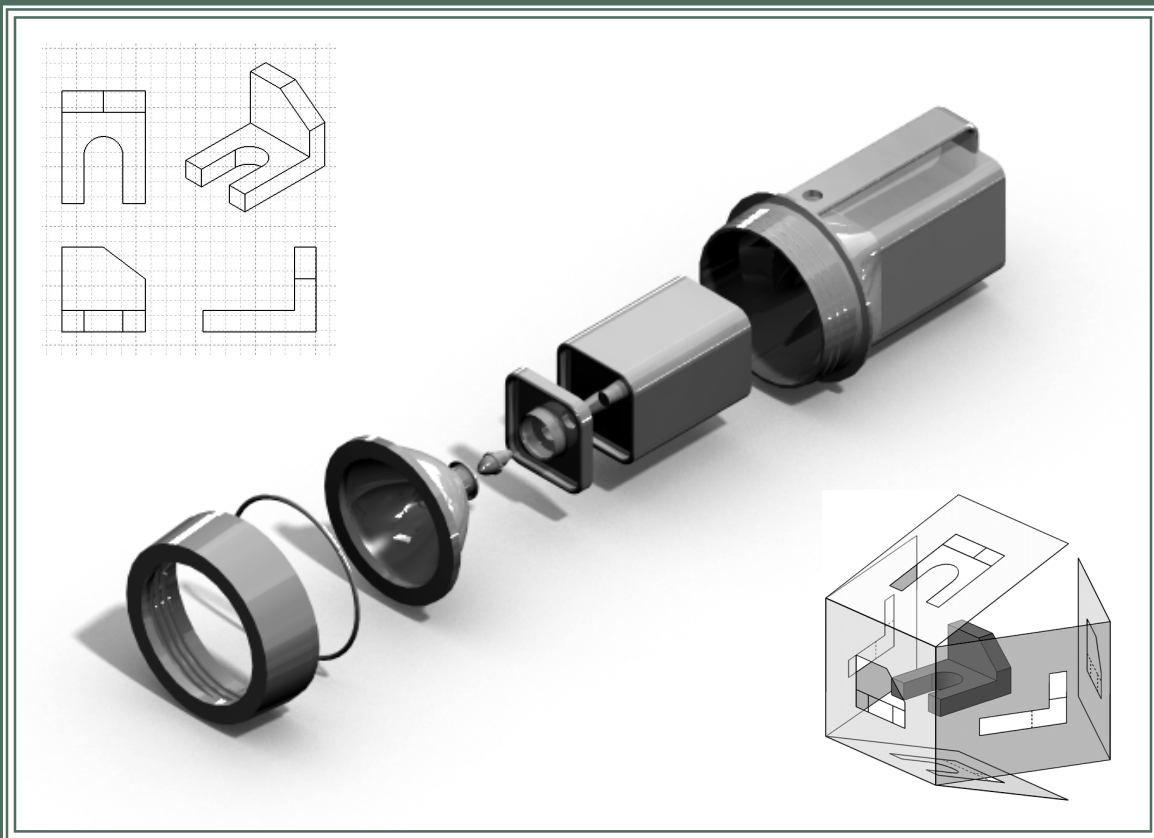


# Engineering Graphics with SolidWorks 2010

Introduction to SolidWorks  
Engineering Graphics with Sketching Worksheets  
MultiMedia Video Instruction



David C. Planchard & Marie P. Planchard CSWP

INSIDE:



**SDC**  
PUBLICATIONS

Schroff Development Corporation  
[www.schroff.com](http://www.schroff.com)

Better Textbooks. Lower Prices.

**3D**  
SolidWorks

Solution  
Partner

## TABLE OF CONTENTS

<b>Introduction</b>	<b>I-1</b>
About the Cover	I-2
About the Authors	I-2
Dedication	I-3
Contact the Authors	I-3
Note to Instructors	I-4
Trademarks, Disclaimers, and Copyrighted Material	I-4
References	I-4
Table of Contents	I-5
Overview of Chapters	I-11
Chapter 1: History of Engineering Graphics	I-11
Chapter 2: Isometric Projection and Multi View Drawings	I-11
Chapter 3: Dimensioning Practices	I-11
Chapter 4: Introduction to SolidWorks Part Modeling	I-12
Chapter 5: Revolved Boss/Base Features	I-12
Chapter 6: Swept Boss/Base and Loft Boss/Base Features	I-12
Chapter 7: Assembly Fundamentals: Bottom-up method	I-13
Chapter 8: Drawing Fundamentals	I-13
Chapter 9: Introduction to the CSWA exam	I-13
About the Book	I-14
Windows Terminology in SolidWorks	I-15
<b>Chapter 1 - History of Engineering Graphics</b>	<b>I-1</b>
Chapter Overview	I-3
History of Engineering Graphics	I-3
2D Cartesian Coordinate System (Absolute Coordinates)	I-6
3D Cartesian Coordinate System (Absolute Coordinates)	I-7
Free Hand Sketching	I-9
General Sketching Techniques	I-10
Alphabet of Lines	I-11
Precedence of Line Types	I-17
Line - Exercises	I-19
Orthographic Projection	I-21
Glass Box Method	I-22
Six Principal views	I-22
Height, Width, and Depth Dimensions	I-25
Transferring Dimensions	I-25
Isometric Projection – Exercises	I-27
Planes (Normal, Inclined and Oblique)	I-32
Plane - Exercises	I-33
Chapter Summary	I-38
Chapter Terminology	I-38
Questions/Exercises	I-40

<b>Chapter 2 - Isometric Projection and Multi View Drawings</b>	<b>2-1</b>
Chapter Overview	2-3
Isometric Projections	2-3
Isometric Sketching	2-5
Circles drawn in Axonometric views	2-7
Additional Projections	2-9
Arrangement of views	2-13
Two view drawing	2-14
One view drawing	2-16
Drawing - Exercises	2-19
Drawing views - Advanced	2-20
Section view	2-20
Detail view	2-22
Broken out view	2-23
Break or Broken view	2-24
Crop view	2-25
Auxiliary view	2-26
Exercises	2-27
Introduction to CAD	2-28
Boolean operation	2-29
What is SolidWorks?	2-31
Design Intent	2-33
Design Intent in the Sketch	2-33
Design Intent in the Feature	2-34
Design Intent in the Part	2-35
Design Intent in the Assembly	2-35
Design Intent in the Drawing	2-35
Chapter Summary	2-36
Chapter Terminology	2-36
Questions/Exercises	2-38
<b>Chapter 3 - Dimensioning Practices and Tolerances</b>	<b>3-1</b>
Chapter Overview	3-3
Size and Location Dimensions	3-3
Dimensioning Systems	3-4
Standards for Dimensioning	3-5
Part / Construction Dimensions	3-5
Two Place Decimal Dimensions	3-6
Size Dimensions	3-6
Continuous Dimensions	3-7
Other Dimension Placements	3-8
Dimension - Exercises	3-10
Dimensioning Cylinders	3-12
Dimensioning a Simple Hole	3-14
Dimensioning Angles	3-15
Dimensioning a Point or a Center	3-16
Dimensioning equally spaced holes on a Circle	3-16
Dimensioning Holes not on a circle	3-17
Dimensioning Arcs	3-17
Dimensioning Chamfers	3-18
Dual Dimensioning	3-18

Dimension - Exercises	3-19
Tolerance for a drawing	3-20
Tolerance for a dimension	3-22
Formatting inch Tolerance	3-24
Metric Dimension Specifications	3-24
Metric Dimension Specifications	3-25
Fasteners in General	3-26
Representing and Dimensioning External Screw Threads	3-26
American National Standard and Unified Screw threads	3-27
Single vs. Double or Triple Threads	3-27
Pitch and Major Diameter	3-28
Thread Class of Fit	3-28
General Thread Notes	3-29
Dimensioning a CounterBore	3-30
Dimensioning a CounterSink	3-30
Chapter Summary	3-31
Chapter Terminology	3-31
Questions / Exercises	3-33
<b>Chapter 4 - Introduction to SolidWorks Part Modeling</b>	<b>4-1</b>
Chapter Overview	4-3
File Management	4-4
Start a SolidWorks session	4-5
SolidWorks UI and CommandManager	4-6
Menu bar toolbar	4-6
Menu bar menu	4-6
Drop-down menu	4-7
Right-click Context toolbar	4-7
Fly-out tool buttons / Consolidated menu	4-7
System feedback icons	4-8
Confirmation Corner	4-8
Heads-up View toolbar	4-8
CommandManager	4-11
FeatureManager Design Tree	4-12
Fly-out FeatureManager	4-14
Task Pane	4-15
SolidWorks Resources	4-15
Design Library	4-15
File Explorer	4-16
Search	4-16
View Palette	4-16
Appearances/Scenes	4-17
Custom Properties	4-17
Document Recover	4-17
Motion Study tab	4-18
Create a New Part	4-20
Part Template	4-24
BATTERY Part	4-29
BATTERY Part-Extruded Boss/Base Feature	4-31
BATTERY Part-Fillet Feature	4-35
BATTERY Part-Extruded Cut Feature	4-37

BATTERY Part-Second Fillet Feature	4-39
BATTERY Part Extruded Boss/Base Feature	4-40
BATTERYPLATE Part	4-46
Save As, Delete, Modify, and Edit Feature	4-47
BATTERYPLATE Part-Extruded Boss/Base Feature	4-49
BATTERYPLATE Part-Fillet Features: Full Round, Multiple Radius Options	4-50
Multi-body Parts and Extruded Boss Feature	4-53
Chapter Summary	4-54
Chapter Terminology	4-55
Questions / Exercises	4-58
<b>Chapter 5 - Revolved Features</b>	<b>5-1</b>
Chapter Overview	5-3
LENS Part	5-4
LENS Part Revolved Boss/Base Feature	5-7
LENS Part-Shell Feature	5-8
LENS Part-Extruded Boss/Base Feature and Convert Entities Sketch tool	5-9
LENS Part-Extruded Boss/Base Feature	5-9
LENS Part-Hole Wizard Feature	5-10
LENS Part-Revolved Boss Thin Feature	5-13
LENS Part-Extruded Boss/Base Feature and Offset Entities	5-15
LENS Part-Extruded Boss/Base Feature and Transparent Optical Property	5-17
LENS Part-Transparent Optical Property	5-17
BULB Part	5-19
BULB Part-Revolved Base Feature	5-20
BULB Part-Revolved Boss Feature and Spline Sketch tool	5-22
BULB Part-Revolved Cut Thin Feature	5-24
BULB Part-Dome Feature	5-26
BULB Part-Circular Pattern Feature	5-27
BULB Part-Seed Cut Feature	5-29
BULB Part-Extruded Cut Feature	5-29
BULB Part-Circular Pattern Feature	5-30
Customizing Toolbars and Short Cut Keys	5-31
Chapter Summary	5-33
Chapter Terminology	5-33
Questions / Exercises	5-35
<b>Chapter 6 - Swept, Loft, and Additional Features</b>	<b>6-1</b>
Chapter Overview	6-3
O-RING Part	6-4
O-RING Part-Swept Base Feature	6-4
SWITCH Part	6-7
SWITCH Part-Loft Base Feature	6-8
SWITCH Part-Shape Feature	6-12
Four Major Categories of Solid Features	6-14
LENSCAP Part	6-15
LENSCAP Part-Extruded Boss/Base Feature	6-16
LENSCAP Part-Extruded Cut Feature	6-16
LENSCAP Part-Shell Feature	6-16
LENSCAP Part-Revolved Cut Thin Feature	6-19
LENSCAP Part-Thread Path Feature	6-20

LENSCAP Part-Helix/Spiral Curve Feature	6-20
LENSCAP Part-Swept Boss Feature	6-20
HOUSING Part	6-26
HOUSING Part-Extruded Boss/Base Feature	6-27
HOUSING Part-Loft Boss Feature	6-29
HOUSING Part-First Extruded Boss/Base Feature	6-33
HOUSING Part-Shell Feature	6-34
HOUSING Part-Second Extruded Boss/Base Feature	6-35
HOUSING Part-Draft Feature	6-36
HOUSING Part-Thread Feature	6-37
HOUSING Part-Swept Boss Feature	6-37
HOUSING Part-Handle Swept Boss Feature	6-41
HOUSING Part-Extruded Cut Feature with UpToSurface Option	6-48
HOUSING Part-First Rib Feature	6-50
HOUSING Part-Linear Pattern Feature	6-50
HOUSING Part-Second Rib Feature	6-53
HOUSING Part-Mirror Feature	6-57
Chapter Summary	6-59
Chapter Terminology	6-59
Questions / Exercises	6-61
<b>Chapter 7 - Assembly Modeling</b>	<b>7-1</b>
Chapter Overview	7-3
Assembly Modeling Overview	7-4
FLASHLIGHT Assembly	7-6
Assembly Techniques	7-7
Assembly Template	7-8
Assembly Templates-ASM-IN-ANSI	7-8
Assembly Templates-ASM-MM-ISO	7-9
LENSANDBULB Sub-assembly	7-9
BATTERYANDPLATE Sub-assembly	7-13
CAPANDLENS Sub-assembly	7-15
FLASHLIGHT Assembly	7-19
FLASHLIGHT Assembly-Interference Issues	7-25
FLASHLIGHT Assembly-Exploded View	7-26
FLASHLIGH Assembly-Export Files and eDrawings	7-29
Chapter Summary	7-32
Chapter Terminology	7-32
Questions / Exercises	7-34
<b>Chapter 8 - Fundamentals of Drawing</b>	<b>8-1</b>
Chapter Overview	8-3
New Drawing and the Drawing Template	8-4
Title Block	8-7
Company Logo and Save Sheet Format	8-11
BATTERY Drawing	8-15
BATTERY Drawing - Insert a View	8-16
BATTERY Drawing - Detail View	8-19
BATTERY Drawing - View Display	8-20
BATTERY Drawing - Insert Model Items and Move Dimensions	8-21
BATTERY Drawing - Insert a Note	8-23

New Assembly Drawing and Exploded View	8-25
FLASHLIGHT Drawing - Bill of Materials	8-27
FLASHLIGHT Drawing-Balloons	8-29
Part Numbers	8-29
FLASHLIGHT Drawing - ConfigurationManager	8-30
FLASHLIGHT Drawing - Update the Bill of Materials	8-30
O-RING Part - Design Table	8-32
O-RING Drawing	8-34
O-RING Drawing - Design Table	8-35
Chapter Summary	8-36
Chapter Terminology	8-36
Questions / Exercises	8-38
<b>Chapter 9 – Introduction to the Certified SolidWorks Associate Exam</b>	<b>9-1</b>
Chapter Objective	9-3
Introduction	9-3
Intended Audience	9-3
CSWA Exam Content	9-5
About the Exam	9-7
Exam day	9-10
When I pass	9-14
Basic Theory and Drawing Theory	9-16
Part Modeling	9-21
Advanced Part Modeling	9-28
Assembly Modeling	9-34
Advanced Modeling Theory and Analysis	9-39
Definition review	9-42
<b>Appendix</b>	
ECO Form	A-1
Types of Decimal Dimensions (ASME Y14.5M)	A-2
SolidWorks Keyboard Shortcuts	A-3
Windows Shortcuts	A-3
Helpful On-Line information	A-4

**Index**