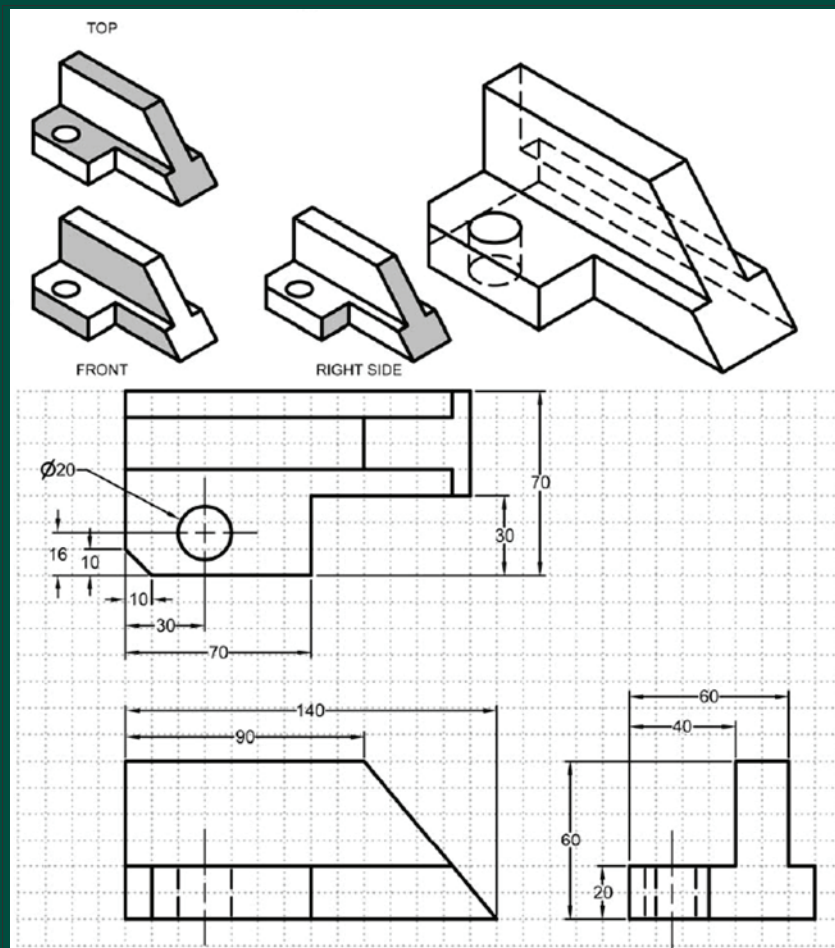


ENGINEERING GRAPHICS ESSENTIALS

with AutoCAD 2011[®] Instruction

Introduction to AutoCAD • Engineering Graphics Principles • Hand Sketching

Text and Independent Learning CD



Kirstie Plantenberg
University of Detroit Mercy

Independent
Learning CD:



SDC
PUBLICATIONS

www.SDCpublications.com

Schroff Development Corporation

TABLE OF CONTENTS

Chapter 1: Drawing In AutoCAD

1.1) Introduction	1 - 1
1.2) AutoCAD's User Interface	1 - 3
1.3) The Drawing Area	1 - 6
1.4) Accessing AutoCAD Commands	1 - 8
1.5) Standard and Quick Access Toolbars	1 - 18
1.6) Customize User Interface (CUI)	1 - 21
1.7) <i>User Interface and Startup Tutorial</i>	1 - 21
1.8) Coordinates	1 - 28
1.9) <i>WCS/UCS Coordinate Systems Tutorial</i>	1 - 35
1.10) <i>Drawing using Coordinates Tutorial</i>	1 - 39
1.11) Printing	1 - 44
1.12) <i>Printing Tutorial</i>	1 - 48
1.13) Draw Commands	1 - 53
1.14) Text	1 - 59
1.15) Modify Commands	1 - 62
1.16) Object Snap Commands	1 - 76
1.17) <i>Wagon Tutorial</i>	1 - 83
1.18) Selecting Objects	1 - 89
1.19) <i>Object Selection Tutorial</i>	1 - 91
1.20) <i>Object Snap Tutorial</i>	1 - 96
1.21) Polar Tracking	1 - 105
1.22) Object Snap Tracking	1 - 106
1.23) <i>Tracking Tutorial</i>	1 - 106
1.24) Dynamic Input	1 - 111
1.25) <i>Dynamic Input Tutorial</i>	1 - 112
1.26) Grip Boxes	1 - 115
1.27) <i>Grip Box Tutorial</i>	1 - 116
1.28) Parametric Drawing	1 - 122
1.29) <i>Applying Parametric Constraints Tutorial</i>	1 - 124
1.30) <i>Automatic Parametric Constraints Tutorial</i>	1 - 130
Crossword puzzle	1 - 133
Problems	1 - 145

Chapter 2: Orthographic Projection

2.1) Introduction to Engineering Graphics	2 - 1
2.2) Orthographic Projection Introduction	2 - 1
2.3) The Glass Box Method	2 - 3
2.4) The Standard Views	2 - 6
2.5) Line Types Used in an Orthographic Projection	2 - 6
2.6) Rules for Line Creation and Use	2 - 8
2.7) Creating an Orthographic Projection	2 - 14
2.8) Auxiliary Views	2 - 28
Crossword puzzle	2 - 33
Problems	2 - 35

Chapter 3: Creating Orthographic Projections in AutoCAD

3.1) Introduction	3 - 1
3.2) Layers	3 - 1
3.3) Line Type Scale	3 - 8
3.4) Properties	3 - 8
3.5) Printing using Pen Widths	3 - 10
3.6) <i>Creating Layers Tutorial</i>	3 - 11
3.7) Title Blocks	3 - 15
3.8) Blocking	3 - 17
3.9) <i>Title Block Tutorial</i>	3 - 20
3.10) Model and Layout Space	3 - 26
3.11) <i>Orthographic Projection Tutorial</i>	3 - 28
3.12) <i>Auxiliary View Tutorial</i>	3 - 43
Crossword puzzle	3 - 49
Problems	3 - 51

Chapter 4: Dimensioning

4.1) Detailed Drawings	4 - 1
4.2) Learning to Dimension	4 - 2
4.3) Dimension Appearance and Techniques	4 - 2
4.4) Dimensioning and Locating Simple Features	4 - 12
4.5) Dimensioning and Locating Advanced Features	4 - 17
4.6) Dimension Choice	4 - 25
Crossword puzzle	4 - 45
Problems	4 - 47

Chapter 5: Dimensioning in AutoCAD

5.1) Introduction	5 - 1
5.2) Dimension Commands	5 - 2
5.3) Dimension Styles	5 - 5
5.4) Dimension Variables	5 - 7
5.5) The DIM Prompt	5 - 9
5.6) Associative Dimensions	5 - 10
5.7) Annotative Objects	5 - 10
5.8) <i>Dimensioning Tutorial</i>	5 - 13
5.9) <i>Editing Dimensions Tutorial</i>	5 - 31
Crossword puzzle	5 - 35
Problems	5 - 37

Chapter 6: Sectioning

6.1) Sectional Views	6 - 1
6.2) Basic Sections	6 - 5
6.3) Advanced Sections	6 - 8
Crossword puzzle	6 - 21
Problems	6 - 23

Chapter 7: Creating Section Views in AutoCAD

7.1) Introduction	7 - 1
7.2) Cutting Plane Lines	7 - 1
7.3) Hatches	7 - 2
7.4) <i>Creating Hatches Tutorial</i>	7 - 5
7.5) <i>Half Section Tutorial</i>	7 - 9
Crossword puzzle	7 - 15
Problems	7 - 17

Chapter 8: Tolerancing

8.1) Tolerancing and Interchangeability	8 - 1
8.2) Tolerancing Standards	8 - 1
8.3) Tolerance Types	8 - 2
8.4) Shaft-Hole Assembly	8 - 3
8.5) Inch Tolerances	8 - 3
8.6) Metric Tolerances	8 - 13
8.7) Selecting Tolerances	8 - 17
8.8) Tolerance Accumulation	8 - 18
8.9) Formatting Tolerances	8 - 21
Crossword puzzle	8 - 23
Problems	8 - 27

Chapter 9: Tolerancing in AutoCAD

9.1) Introduction	9 - 1
9.2) Tolerance Parameters	9 - 1
9.3) Tolerancing Tutorial	9 - 3
Crossword puzzle	9 - 7
Problems	9 - 9

Chapter 10: Threads and Fasteners

10.1) Fasteners	10 - 1
10.2) Screw Thread Definitions	10 - 1
10.3) Types of Thread	10 - 4
10.4) Manufacturing Screw Threads	10 - 4
10.5) Drawing Screw Threads	10 - 5
10.6) Unified Threads	10 - 8
10.7) Metric Threads	10 - 11
10.8) Drawing Bolts	10 - 13
10.9) Bolt and Screw Clearances	10 - 13
Crossword puzzle	10 - 17
Problems	10 - 19

Chapter 11: Drawing Threads in AutoCAD

11.1) Introduction	11 - 1
11.2) External Threads Tutorial	11 - 1
11.3) Internal Threads Tutorial	11 - 4
11.4) Hex Nuts and Bolts Tutorial	11 - 6
Problems	11 - 11

Chapter 12: Assembly Drawings

12.1) Definitions	12 - 1
12.2) Views Used in Assembly Drawings	12 - 4
12.3) Things to Include/Not Include	12 - 5
12.4) Standard Parts	12 - 7
Crossword puzzle	12 - 19
Problems	12 - 21

Chapter 13: Creating Assembly Drawings in AutoCAD

13.1) Introduction	13 - 1
13.2) Assembly Tutorial	13 - 1
Problems	13 - 13

Chapter 14: Pictorial Drawings

14.1) Pictorials Introduction	14 - 1
14.2) Isometric Pictorial Axes	14 - 3
14.3) Drawing Linear Features	14 - 3
14.4) Drawing Circles and Radii	14 - 6
14.5) Drawing Cylinders	14 - 9
14.6) Oblique Pictorial Overview	14 - 9
Crossword puzzle	14 - 17
Problems	14 - 19

Chapter 15: Creating Isometric Pictorials in AutoCAD

15.1) Isometric Snap	15 - 1
15.2) Isocircles	15 - 2
15.3) <i>Isometric Pictorial Tutorial</i>	15 - 3
15.4) <i>Isocircle Tutorial</i>	15 - 8
Crossword puzzle	15 - 13
Problems	15 - 15

Appendix A: Limits and Fits

A.1) Limits and Fits (Inch)	A - 1
A.2) Metric Limits and Fits	A - 8

Appendix B: Threads and Fastener Tables

B.1) Unified National Thread Form	B - 1
B.2) Metric Thread Form	B - 2
B.3) Fasteners (Inch Series)	B - 3
B.4) Metric Fasteners	B - 11
B.5) Bolt and Screw Clearance Holes	B - 17

Appendix C: References C - 1