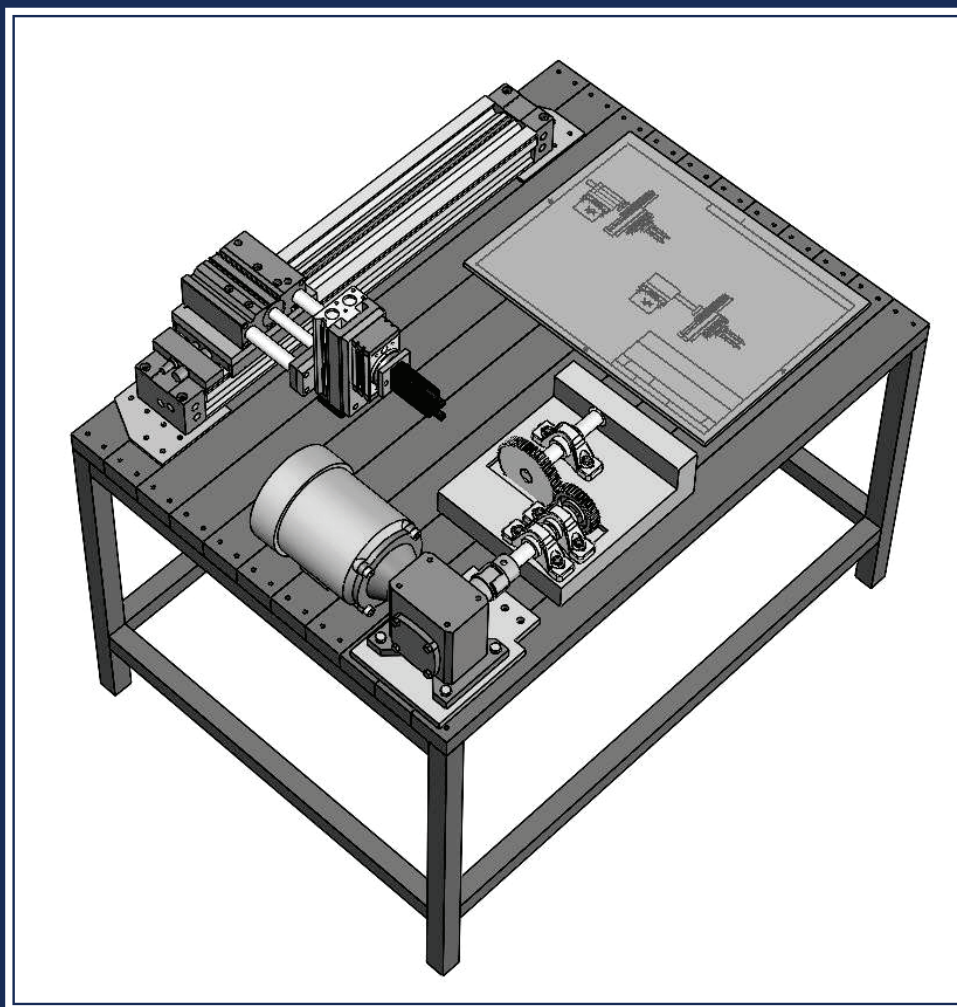




Assembly Modeling with SolidWorks 2010

For the SolidWorks user that needs to understand Assembly Modeling

David C. Planchard & Marie P. Planchard



SDC
PUBLICATIONS

www.SDCpublications.com

Schroff Development Corporation



Solution
Partner

Table of Contents

Introduction	I-1
About the Authors	I-2
Dedication	I-3
Contact the Authors	I-3
Notes to Instructors	I-3
Trademarks, Disclaimer, and Copyrighted Material	I-4
Reference	I-4
Table of Contents	I-7
What is SolidWorks?	I-13
Design Intent	I-15
Overview of Chapters	I-18
About the Book	I-23
Command Syntax	I-23
Windows Terminology	I-24
Chapter 1 - SolidWorks 2010 User Interface	1-1
Start a SolidWorks Session	1-3
Menu bar toolbar	1-4
Menu bar menu	1-5
Drop-down menus	1-5
Right-click Pop up menus	1-6
Consolidated toolbar	1-7
System feedback icons	1-7
Confirmation Corner	1-7
Heads-up View toolbar	1-8
CommandManager	1-10
Part	1-10
Assembly	1-11
Drawing	1-12
FeatureManager Design Tree	1-13
Flyout FeatureManager	1-15
Task Pane	1-16
Design Library	1-16
File Explorer	1-17
Search	1-17
View Palette	1-17
Appearances/Scenes	1-18
Document Recovery	1-18
Motion Study	1-19
Chapter Terminology	1-27
Chapter 2 - File Management, System Options, Templates, SolidWorks Explorer, and more	2-1
Chapter Objective	2-3
Chapter Overview	2-4
Assembly Task List - Before you begin	2-6
DELIVERY STATION Assembly Layout Diagram	2-8
Assembly Layout modeling methods	2-8
Assembly Considerations	2-9
File Organization	2-10
File Management	2-13
Activity: Create New File Folders	2-13
System Options - File Locations	2-14
Document Templates	2-14

Reference Documents	2-15
Design Library	2-17
Activity: Set System Options and File Locations	2-17
System Options – Large Assembly Mode	2-19
Fully Resolved – Lightweight – Quick view / Selective open	2-19
Activity: Check Large Assembly Mode Setting	2-22
Assembly Template, Part Template, and Document Properties	2-22
Activity: Create an Assembly and Part Template with Document Properties	2-26
Download an SMC Component from 3D ContentCentral	2-29
Activity: Download a component from 3D ContentCentral	2-30
SolidWorks Explorer	2-35
Activity: SolidWorks Explorer – Rename and Save Components	2-36
Summary of SMC Components	2-43
FeatureManager and Component States	2-44
Comparison of Component States	2-47
Geometric and Functional Requirements	2-47
Activity: Measure Geometric and Functional Requirements	2-48
SolidWorks Toolbox Configuration	2-51
Activity: SolidWorks Toolbox	2-51
Chapter Summary	2-53
Chapter Questions	2-54
Chapter 3 - Assembly Modeling - Bottom-up design approach	3-1
Chapter Objective	3-3
Chapter Overview	3-4
Geometric and Functional Requirements of PLATE-A	3-6
Activity: Find the Geometric and Functional requirements of PLATE-A	3-10
PLATE-A Part	3-14
Activity: Create PLATE-A In-Context of the Assembly	3-16
Activity: Create a New Folder in the SolidWorks Design Library	3-23
Assembly Mating Techniques	3-24
LINEAR-TRANSFER Assembly	3-26
Activity: Insert Multiple Components at once in an Assembly	3-27
Customize the Keyboard	3-28
Activity: Customize the Keyboard	3-29
Activity: Create a New View	3-30
Modify the Base component: Fix / Float	3-30
Mate PropertyManager	3-31
Mates tab	3-31
Analysis tab	3-35
SmartMates	3-38
Types of SmartMates	3-38
InPlace Mates	3-40
Move Component tool	3-41
Rotate Component tool	3-43
Show Hidden Components tool	3-43
Assembly Features	3-43
Mate Reference	3-43
Mate Errors	3-45
MateXpert	3-45
Diagnose Mating Problems	3-46
Activity: Insert SmartMates between PLATE-A and the RODLESS-CYLINDER	3-46
Rigid and Flexible assembly states	3-51
Activity: Modify the Rigid State to Flexible	3-52
Fasteners	3-53
Component Patterns	3-56

Activity: Apply Toolbox - Fasteners - SmartMate	3-57
Activity: Set the Toolbox directory	3-60
Chapter Summary	3-63
Chapter Questions	3-64
Chapter 4 - Bottom-up design assembly approach - Two Levels of Configurations	4-1
Chapter Objective	4-3
Configurations	4-4
Terminology review	4-4
Manual Configuration – Add Configuration tool	4-5
Configure component – Configure dimension tool	4-7
Design Tables	4-8
Activity: Apply the Collision Detection tool	4-11
Activity: Create a Distance Mate	4-13
Activity: Modify the Distance Mate	4-15
Activity: RODLESS-CYLINDER Configurations	4-16
Parent/Child relation	4-18
LINEAR-TRANSFER Configurations	4-19
Activity: Three LINEAR-TRANSFER Configurations	2-20
Preparing for the next assembly	4-24
Chapter Summary	4-26
Chapter Questions	4-27
Chapter 5 - Top-down design assembly approach - Two Components with Configurations	5-1
Chapter Objective	5-3
Chapter Overview	5-4
Top-down design assembly modeling	5-6
In-Context	5-7
External References: General	5-8
External References: Suffix	5-9
External References: Lock / Break	5-9
2AXIS-TRANSFER Assembly	5-10
Activity: Create the 2AXIS-TRANSFER Assembly	5-10
External References – InPlace Mates	5-13
Activity: Create In-Context, External References, and InPlace Mates	5-16
Activity: Review External References in PLATE-B	5-19
Activity: Customize the Assembly toolbar	5-21
Hole Selection	5-22
Activity: Hole Selection for PLATE-B	5-23
Mate the SLIDE-TABLE Assembly	5-28
Activity: Mate the SLIDE-TABLE to the 2AXIS-TRANSFER	5-29
Smart Fasteners	5-32
Activity: Measure and Insert Smart Fasteners	5-33
Edit Mates and Redefine Components	5-36
Activity: Redefining and Replacing Components	5-37
Activity: Apply the Interference Detection tool	5-41
Redefine External References	5-46
External Reference – Out of Context	5-47
Activity: Redefine External References – Out of Context	5-47
Activity: Locate InPlace Mates with the Filter FeatureManager tool	5-53
Activity: Insert Standard Mates between PLATE-B and the GUIDE-CYLINDER	5-54
Activity: Apply the Interference Detection tool	5-56
Configurations	5-57
Activity: Two new GUIDE-CYLINDER Assembly Configurations	5-61

Activity: Two new SLIDE-TABLE Assembly Configurations	5-65
Top Level 2AXIS-TRANSFER Assembly Configurations	5-69
Activity: Create the Top Level 2AXIS-TRANSFER Configurations	5-79
Design Table: General Information	5-72
Chapter Summary	5-76
Chapter Questions	5-77
Chapter 6 - Part and Assembly Configurations, Custom Properties, Design Tables, & References	6-1
Chapter Objective	6-3
Chapter Overview	6-4
ROTARY-GRIPPER Assembly	6-7
Activity: Create the ROTARY-GRIPPER Assembly	6-8
Dynamic Behavior of Components	6-12
Activity: View the Dynamic Behavior of Components	6-13
GRIPPER and ROTARY assembly	6-19
Activity: Assemble the GRIPPER assembly to the ROTARY assembly	6-20
PLATE-D Part with In-Context features	6-24
Activity: Create the PLATE-D part In-Context of the ROTARY-GRIPPER	6-25
PLATE-D Holes	6-28
Activity: Create the PLATE-D Holes with the Hole Wizard tool	6-28
Activity: Display Updated Holders in the Assembly	6-32
Remove External References and InPlace Mates	6-33
Activity: Remove External References and InPlace Mates in PLATE-D	6-34
Activity: Apply the SmartMate tool to PLATE-D and the ROTARY assembly	6-38
PLATE-C Part	6-41
Activity: Create PLATE-C	6-42
Activity: Insert PLATE-C into the 2AXIS-TRANSFER assembly	6-43
Activity: Create the Cbore and Linear Pattern Feature	6-46
Activity: Copy a Sketch form one component to another	6-51
ROTARY-GRIPPER Design Table	6-56
Activity: Create the ROTARY-GRIPPER Design Table	6-56
PLATE-D Design Table with Properties	6-58
System Properties	6-58
User defined Properties	6-59
Activity: Create the PLATE-D Design Table with Custom Properties	6-60
Edit the ROTARY-GRIPPER Design Table	6-69
Activity: Edit the ROTARY-GRIPPER Design Table	6-69
Activity: Edit the PLATE-D part and Design Table	6-72
Chapter Summary	6-76
Chapter Questions	6-77
Chapter 7 - Assembly Drawings with Revision Table and Bill of Materials – Multiple Sheets, Views, and Custom Properties	7-1
Chapter Objective	7-3
Chapter Overview	7-4
3AXIS-TRANSFER Assembly	7-6
Activity: Copy and Open Chapter 7 models	7-7
Activity: Insert SmartMates - 2AXIS-TRANSFER / LINEAR-TRANSFER	7-12
3AXIS-TRANSFER Assembly Configurations	7-14
Activity: Create the 3AXIS-TRANSFER Assembly Configurations	7-15
3AXIS-TRANSFER Assembly Drawing	7-18
Activity: Create the 3AXIS-TRANSFER Assembly Drawing: Sheet1	7-18
Activity: Apply SolidWorks Explorer	7-24
Activity: Modify the Title Block: Sheet1	7-29
Activity: Create a Linked Note: Sheet1	7-30

Activity: Add a Sheet – Insert an Isometric view	7-31
Bill of Materials	7-34
Activity: Create a Top-level Bill of Materials: Sheet2	7-36
Activity: Create Custom Properties for the BOM: Sheet2	7-37
Fasteners	7-39
Activity: Insert Fasteners from the MY-TOOLBOX folder	7-39
Activity: Replace Inserted Fasteners	7-42
Fastener Configuration	7-44
Activity: Create the 3AXIS-TRANSFER Fastener Configuration	7-45
Additional Information on Bill of Materials Tables	7-47
Exploded View	7-48
Activity: Create the 3AXIS-TRANSFER Assembly Exploded View	7-49
Balloons	7-52
Activity: Apply the AutoBalloon tool: Sheet2	7-54
Custom Properties	7-56
Revision Table	7-57
Activity: Create a Revision Table: Sheet1	7-58
Activity: Insert a Linked Note for Revision: Sheet1	7-60
Drawing View Properties	7-64
Activity: Apply Drawing View Properties: Sheet1	7-64
Activity: Add a Sheet: Insert two views	7-66
Activity: Create a Section view: Sheet3	7-68
Activity: Copy a SolidWorks Part / Assembly with SolidWorks Explorer	7-70
Chapter Summary	7-74
Chapter Questions	7-75
Chapter 8 - Top-down design, Layout Sketches, Block, Motion, and more	8-1
Chapter Objective	8-3
Link Values and Equations	8-6
Activity: Create Link Values and Equations in the DELIVERY-STATION	8-7
Input assembly, Reordering components, and Dissolve sub-assemblies	8-12
Activity: Create the INPUT-BASE-PLATE Part	8-13
Activity: Insert a New Assembly – Reorder - Components	8-15
Reusing Components: Component Pattern and Mirror Component	8-19
Activity: Reuse Components – Mirror Components tool	8-20
Insert the DELIVERY-STATION Assembly	8-21
Activity: Insert the DELIVERY-STATION Assembly	8-21
AssemblyXpert	8-24
Activity: Apply the AssemblyXpert tool	8-25
Assembly Visualization	8-25
Activity: Apply the Assembly Visualization tool	8-25
Layout-based Assembly design	8-25
Activity: Layout-based assembly design – Motion – Example 1	8-26
Activity: Layout-based assembly design – Motion – Example 2	8-28
Envelopes	8-32
Additional Assembly tools: Join, Split, and Explode Line Sketch	8-32
Join Feature tool	8-32
Activity: Join Feature	8-33
Split Feature tool	8-35
Create Assembly tool	8-35
Exploded Line Sketch tool	8-36
Activity: Create an Exploded View: 4Bar Linkage	8-36
Activity: Create an Explode Line Sketch	8-37
Motion Study - Basic Motion tool	8-38
Assembly Motion	8-38
Animation Wizard	8-39

Basic Motion	8-40
Linear / Rotary Motor tool	8-40
Spring	8-40
Contact	8-41
Gravity	8-41
Activity: Create a Motion Study - Example 1	8-42
Activity: Create a Motion Study - Example 2	8-43
SolidWorks SimulationXpress	8-45
Activity: SolidWorks SimulationXpress - Analyze a simple part	8-50
Chapter Summary	8-57
Chapter 9 - Certified SolidWorks Associate CSWA Exam	9-1
Chapter Objective	9-3
Introduction	9-3
Intended Audience	9-3
CSWA Exam Content	9-5
Basic Theory and Drawing Theory	9-5
Part Modeling	9-5
Advanced Part Modeling	9-6
Assembly Modeling	9-6
Advanced Modeling Theory and Analysis	9-6
About the CSWA exam	9-7
CSWA Certification	9-7
Exam day	9-7
When I pass	9-14
Basic Theory and Drawing Theory	9-16
Part Modeling	9-21
Advanced Part Modeling	9-28
Assembly Modeling	9-34
Advanced Modeling Theory and Analysis	9-39
Definition review	9-42
Appendix	A-1
Engineering Change Order (ECO)	A-1
SolidWorks Keyboards Shortcuts	A-3
Windows Shortcuts	A-4
Helpful on-line information	A-5
Index	I-1