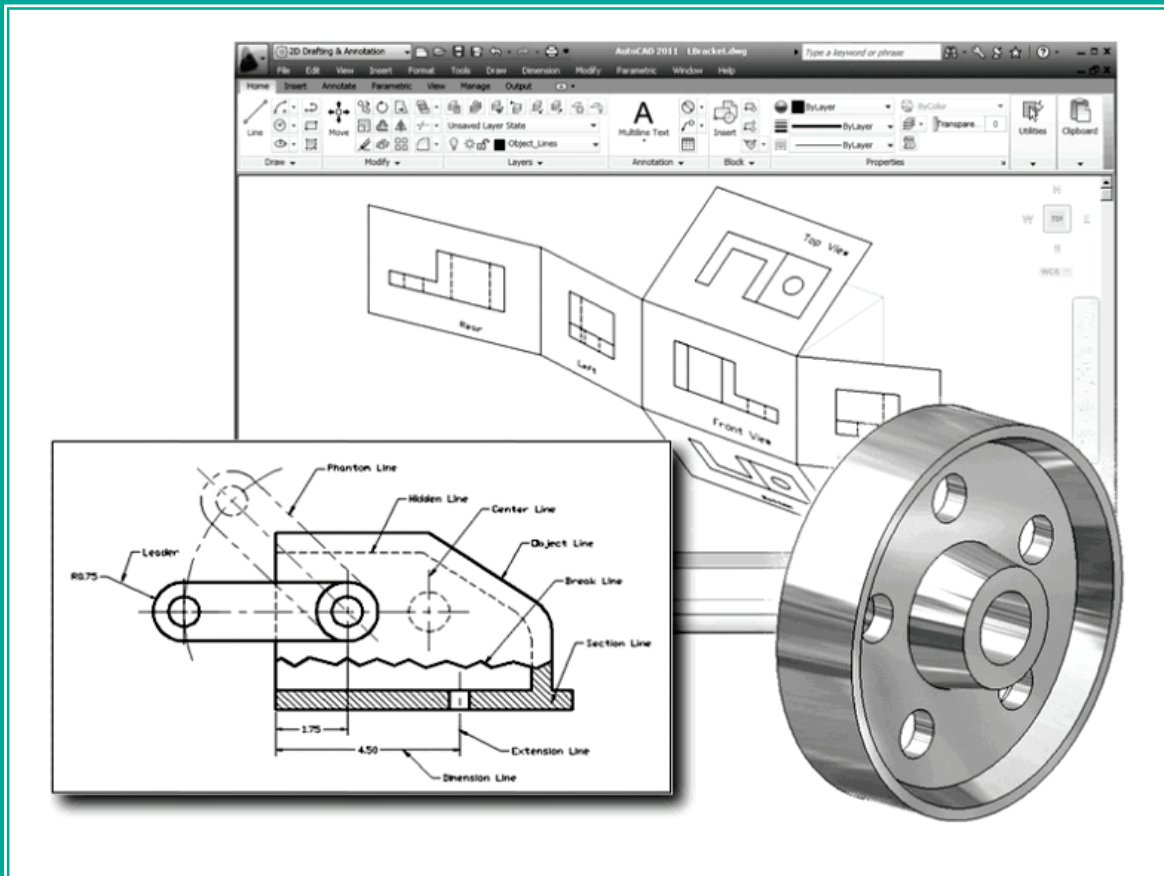


# Principles and Practice

An Integrated Approach to Engineering Graphics and AutoCAD 2011



**Randy H. Shih**  
*Oregon Institute of Technology*

**SDC**  
PUBLICATIONS

[www.SDCpublications.com](http://www.SDCpublications.com)

Schroff Development Corporation

**Autodesk Certification Program**  
These tutorials prepare  
students for the AutoCAD  
Certified Associate  
Examination.

# Table of Contents

<b>Preface</b>	<b>i</b>
<b>Acknowledgments</b>	<b>ii</b>
<b>Table of Contents</b>	<b>iii</b>
<b>AutoCAD Certified Associate Examination Reference Guide</b>	<b>xi</b>
<b>Tips about Taking the AutoCAD Certified Associate Examination</b>	<b>xviii</b>
<b>Chapter 1</b>	
<b>Introduction and AutoCAD Fundamentals</b>	
Introduction	1-3
Drawing in CAD systems	1-5
Development of Computer Aided Design	1-5
Why Use AutoCAD® 2011	1-8
Getting started with AutoCAD® 2011	1-10
AutoCAD® 2011 Screen Layout	1-11
Menu Browser	1-12
Quick Access Toolbar	1-12
Graphics Window	1-12
Graphics Cursor or Crosshairs	1-12
Command Prompt Area	1-12
Cursor Coordinates	1-13
Status Toolbar	1-13
Ribbon Tabs and Panels	1-13
Draw Toolbar and Modify Toolbar	1-13
Layers Control Toolbar Panel	1-14
Annotation Toolbar Panel	1-14
Layout/Model Toolbar	1-14
Viewing Toolbar	1-14
Workspace Switching	1-14
Mouse Buttons	1-15
[Esc] - Canceling Commands	1-15
On-Line Help	1-16
Leaving AutoCAD® 2011	1-17
Creating a CAD File Folder	1-18
Drawing in AutoCAD	1-19
Starting Up AutoCAD® 2011	1-19
Drawing Units display Setup	1-20
Drawing Area Setup	1-22
Using the <i>InfoCenter</i> to Get More Information	1-23
Using the <i>LINE</i> Command	1-24
Visual Reference	1-26
<i>GRID</i> ON	1-27
<i>SNAP</i> ON	1-28
Using the <i>ERASER</i>	1-29
Repeat the Last Command	1-30
The CAD Database and the User Coordinate System	1-31
Changing to the 2D UCS Icon Display	1-32

Cartesian and Polar Coordinate Systems	1-33
Absolute and Relative Coordinates	1-33
Defining Positions	1-34
The <i>Guide Plate</i>	1-34
Creating <i>Circles</i>	1-38
Save the CAD File	1-40
Exit AutoCAD	1-41
Questions	1-42
Exercises	1-43

## Chapter 2

### Geometric Constructions

Geometric Constructions	2-3
Geometric Constructions - Classical Methods	2-4
• Bisection of a Line or Arc	2-4
• Bisection of an Angle	2-5
• Transfer of an Angle	2-6
• Dividing a Given Line into a Number of Equal Parts	2-7
• Circle through Three Points	2-8
• Line Tangent to a circle from a Given Point	2-9
• Circle of a Given Radius Tangent to Two Given Lines	2-10
• Circle of a Given Radius Tangent to an Arc and a Line	2-11
• Circle of a Given Radius Tangent to Two Arcs	2-12
Starting Up AutoCAD® 2011	2-13
Dynamic Input	2-13
Object Snap Toolbar	2-17
Geometric Construction - Computer Method	2-18
• Bisection of a Line or Arc	2-18
• Bisection of an Angle	2-21
• Transfer of an Angle	2-23
• Dividing a Given Line into a Number of Equal Parts	2-27
• Circle through Three Points	2-29
• Line Tangent to a circle from a Given Point	2-30
• Circle of a Given Radius Tangent to Two Given Lines	2-31
• Circle of a Given Radius Tangent to an Arc and a Line	2-33
• Circle of a Given Radius Tangent to Two Arcs	2-33
The <i>RockerArm</i> Design	2-34
Activate the Startup Option	2-34
Drawing Units Display Setup	2-36
<i>GRID</i> and <i>SNAP</i> Intervals Setup	2-36
Drawing Area Setup	2-37
Referencing the World Coordinate System	2-38
Creating <i>Circles</i>	2-39
<i>Object Snap</i> Toolbar	2-40
Using the <i>LINE</i> Command	2-41
Creating a <i>TTR Circles</i>	2-43
Using the <i>TRIM</i> Command	2-45
Using the <i>Polygon</i> Command	2-47
Creating a Concentric <i>Circle</i>	2-49

Using the QuickCal Calculator to Measure Distance and Angle	2-50
Saving the CAD File	2-54
Exit AutoCAD	2-54
Questions	2-55
Exercises	2-56

### Chapter 3

## AutoCAD Layer controls and Object Organization

Introduction	3-3
The <i>Floor Plan</i> Design	3-3
Starting Up AutoCAD® 2011	3-4
Using the Setup Wizard	3-4
Drawing Units Setup	3-5
Reference Drawing Area Setup	3-5
<i>GRID</i> and <i>SNAP</i> Intervals Setup	3-6
Using the <i>ZOOM ALL</i> Command	3-7
The AutoCAD <i>MULTILINE</i> Command	3-7
Drawing <i>Multilines</i>	3-10
Creating Interior Walls	3-12
Joining the Walls Using <i>MULTILINE EDIT</i>	3-16
Using <i>Layers</i> and Object Properties	3-18
Using <i>ZOOM REALTIME</i>	3-21
Modeling the Bathroom	3-22
Controlling <i>Layer Visibility</i>	3-24
Adding a New Layer	3-24
Moving Objects to a Different Layer	3-25
Questions	3-27
Exercises	3-28

### Chapter 4

## Orthographic Projections and Multiview Constructions

Introduction	4-3
Basic Principles of Projection	4-4
Orthographic Projection	4-4
Multiview Orthographic Projection	4-5
FIRST-ANGLE PROJECTION	4-6
Rotation of the Horizontal and Profile Planes	4-7
Getting the 3D Adjuster Model through the Internet	4-8
Dynamic Rotation – 3D Orbit	4-9
Third-Angle Projection	4-10
Rotation of the Horizontal and Profile Planes	4-11
Examining the 3 <sup>rd</sup> Angle Projection	4-12
The Glass Box and the Six Principal Views	4-13
Examining the Glass Box Model	4-15
Alphabet of Lines	4-16
Precedence of Lines	4-18
The <i>Locator</i> Design	4-19
Starting Up AutoCAD® 2011	4-19
<i>GRID</i> and <i>SNAP</i> Intervals Setup	4-20
<i>Layers</i> setup	4-21
Drawing <i>Construction Lines</i>	4-22

Using the <i>OFFSET</i> Command	4-22
Set Layer <i>Object</i> as the Current Layer	4-24
Using the <i>Running Object Snaps</i>	4-24
Creating <i>Object Lines</i>	4-26
Turn <i>OFF</i> the Construction Lines	4-27
Adding More Objects in the Front View	4-27
AutoCAD's AutoSnap™ and AutoTrack™ features	4-28
Adding More Objects in the Top View	4-30
Drawing using the <i>Miter Line</i> Method	4-34
More <i>Layers Setup</i>	4-36
Top View to Side View Projection	4-37
Completing the Front View	4-39
Object Information Using the List Command	4-41
Object Information Using the Properties Command	4-42
Questions	4-43
Exercises	4-44

## Chapter 5

### Pictorials and Sketching

Engineering Drawings, Pictorials and Sketching	5-2
Isometric Sketching	5-7
Isometric Sketching Exercises	5-9
Oblique Sketching	5-10
Oblique Sketching Exercises	5-11
Perspective Sketching	5-12
One-point Perspective	5-13
Two-point Perspective	5-14
Perspective Sketching Exercises	5-15
Questions	5-16
Exercises	5-17

## Chapter 6

### Dimensioning and Notes

Introduction	6-3
Dimensioning Standards and Basic Terminology	6-4
Selection and Placement of Dimensions and Notes	6-5
Baseline and Chain Dimensioning	6-10
Dimensioning and Tolerance Accumulation	6-11
(1) Tolerance Accumulation - Chain Dimensioning	6-12
(2) Tolerance Accumulation - Baseline Dimensioning	6-13
(3) Avoid Tolerance Accumulation Feature Functionality Manufacturing	6-14
Dimensioning Tools in AutoCAD	6-15
The <i>Bracket</i> Design	6-15
Starting Up AutoCAD® 2011	6-16
Change the Background Color of the Graphics Window	6-17
GRID and SNAP Intervals Setup	6-18
Layers Setup	6-18
The <i>Bracket</i> Design	6-19
Drawing Construction Lines	6-20
Using the <i>OFFSET</i> Command	6-21
Set Layer <i>Object Lines</i> as the <i>Current Layer</i>	6-22

Creating Object Lines	6-22
Creating Hidden Lines	6-23
Creating Center Lines	6-24
Turn <i>OFF</i> the Construction Lines	6-24
Using the <i>FILLET</i> Command	6-25
Saving the Completed CAD Design	6-26
Accessing the Dimensioning Commands	6-27
The <i>Dimension Toolbar</i>	6-28
Using <i>Dimension Style Manager</i>	6-28
Dimensions Nomenclature and Basics	6-29
Using the <i>Center Mark</i> Command	6-32
Adding <i>Linear</i> Dimensions	6-33
Adding <i>Angular</i> Dimensions	6-34
Adding <i>Radius</i> and <i>Diameter</i> Dimensions	6-35
Changing the Displayed Precision on One Dimension	6-36
Using the <i>SINGLE LINE TEXT</i> Command	6-36
Adding Special Characters	6-37
Saving the Design	6-38
A Special Note on Layers Containing Dimensions	6-38
Questions	6-39
Exercises	6-40
<b>Chapter 7</b>	
<b>Tolerancing and Fits</b>	
Precision and Tolerance	7-2
Methods of Specifying Tolerances – English System	7-3
Nomenclature	7-4
Example 7.1	7-5
Fits between Mating parts	7-6
Selective Assembly	7-7
Basic Hole and Basic Shaft Systems	7-7
American National Standard Limits and Fits – Inches	7-8
Example 7.2 Basic Hole System	7-13
Example 7.3 Basic Hole System	7-14
Example 7.4 Basic Shaft System	7-15
Example 7.5 Basic Shaft System	7-16
Tolerancing – Metric System	7-17
Metric Tolerances and Fits Designation	7-18
Preferred ISO Metric Fits	7-19
Example 7.6 Metric Hole Basis System	7-20
Example 7.7 Shaft Basis System	7-21
Starting Up AutoCAD 2011 and Open a Drawing	7-22
The <i>Dimension Style Manager</i>	7-22
Tolerances Settings in the <i>Dimension Style Manager</i>	7-23
Determining the Tolerances Required	7-24
Questions	7-28
Exercises	7-29

**Chapter 8****Symmetrical Features in designs**

Introduction	8-3
The <i>Geneva Cam</i> Design	8-3
Starting Up AutoCAD® 2011	8-4
Setting Up the <i>Plot Style Mode</i>	8-5
Starting a New File	8-6
<i>GRID</i> and <i>SNAP</i> Intervals Setup	8-7
<i>Layers</i> Setup	8-9
Adding Borders and Title Block in the Layout	8-10
Create a <i>Template File</i>	8-13
Exit AutoCAD® 2011	8-14
Starting Up AutoCAD® 2011	8-14
The <i>Geneva Cam</i> Drawing	8-15
Drawing Construction Lines	8-16
Creating Object Lines	8-17
Using the <i>OFFSET</i> Command	8-18
Using the <i>MIRROR</i> Command	8-20
Using the <i>ARRAY</i> Command	8-21
Creating a <i>Viewport</i> Inside the Title Block	8-23
<i>Viewport</i> Properties	8-24
Hide the <i>Viewport borders</i>	8-25
Adjusting the Dimension Scale	8-25
<i>Plot/Print</i> the Drawing	8-27
Questions	8-29
Exercises	8-30

**Chapter 9****Auxiliary Views**

Introduction	9-3
Normal View of an Inclined Surface	9-4
Construction Method I – Folding Line Method	9-6
Construction Method II – Reference Plane Method	9-8
Partial Views	9-10
Creating Auxiliary Views in AutoCAD	9-11
The <i>V-Block</i> Design	9-11
Starting Up AutoCAD® 2011	9-12
Using the AutoCAD Classic Workspace	9-13
Setting Up the Principal Views	9-14
Setting Up the <i>Top View</i>	9-17
Using the <i>OFFSET</i> Command	9-18
Creating Object Lines in the <i>Front View</i>	9-20
Setting the <i>POLAR TRACKING</i> Option	9-21
Setting Up the <i>Auxiliary View</i>	9-24
Aligning the <i>Auxiliary View</i> to the <i>Front View</i>	9-25
Creating the V-cut in the <i>Auxiliary View</i>	9-25
Creating the V-cut in the <i>Front-View</i> and <i>Top-View</i>	9-28
Setting the <i>Polar Tracking</i> Option	9-30
Completing the <i>Top-View</i>	9-30
Edit the Plot Style Table	9-34
Using the Area Inquiry Tool to Measure Area and Perimeter	9-36

Questions	9-40
Exercises	9-41
<b>Chapter 10</b>	
<b>Section Views</b>	
Introduction	10-3
General rules of Section Views	10-5
Section Drawing Types	10-6
• Full Section	10-6
• Half Section	10-6
• Offset Section	10-7
• Broken-Out Section	10-7
• Aligned Section	10-8
• Half Views	10-8
• Thin Sections	10-8
• Revolved Section	10-9
• Conventional Breaks	10-10
• Ribs and Webs in Sections	10-10
• Parts Not Sectioned	10-10
Section Views in AutoCAD	10-11
The <i>Bearing</i> Design	10-11
Starting Up AutoCAD® 2011	10-12
The <i>Bearing</i> Example	10-13
Setting up the <i>Principal Views</i>	10-13
Creating Object Lines in the <i>Front View</i>	10-15
Editing the Circles	10-17
Setting Up the <i>Side View</i>	10-18
Adding Hidden Lines in the <i>Side view</i>	10-20
Changing the <i>Line Type Scale</i> Property	10-22
Stretching and Moving Objects with <i>GRIPS</i>	10-23
Drawing a Cutting Plane Line	10-24
Converting the Side View into a Section View	10-27
Adding <i>Section Lines</i>	10-29
Questions	10-32
Exercises	10-33
<b>Chapter 11</b>	
<b>Threads and Fasteners</b>	
Introduction	11-2
Screw-Thread Terminology	11-3
Thread Forms	11-5
Thread Representations	11-6
• Detailed Representation	11-7
• Schematic Representation	11-8
• Simplified Representation	11-9
Thread Specification – English Units	11-10
Unified Thread Series	11-11
Thread Fits	11-12
Thread Specification – Metric	11-12
Thread Notes Examples	11-13



Specifying Fasteners	11-14
Commonly Used Fasteners	11-15
Drawing Standard Bolts	11-17
Bolt and Screw Clearances	11-17
Questions	11-18
Exercises	11-19

## Chapter 12

### Working Drawings

General Engineering Design Process	12-3
Working Drawings	12-4
Detail Drawings	12-4
Assembly Drawings	12-5
Bill of Materials (BOM) and Parts List	12-5
Drawing sizes	12-6
Drawing Sheet Borders and Revisions Block	12-6
Title Blocks	12-7
Working Drawings with AutoCAD	12-8
The <i>Shaft Support</i> Subassembly	12-9
Additional parts	12-9
(1) Cap-Screw	12-9
(2) Collar	12-10
(3) Base-plate	12-10
Starting Up AutoCAD® and Loading Multiple Drawings	12-11
Using AutoCAD with the Internet	12-12
Rearrange the Displayed Windows	12-13
Defining a <i>Block</i>	12-14
Inserting a <i>Block</i>	12-16
Starting an <i>Assembly Drawing</i>	12-17
Copying and Pasting with the <i>Windows Clipboard</i>	12-18
Converting the View into a <i>Section View</i>	12-19
Adding the Bearing to the <i>Assembly Drawing</i>	12-21
Adding the Cap-screws to the <i>Assembly Drawing</i>	12-24
Creating <i>Callouts</i> with the Multileader Command	12-26
Creating a <i>Viewport</i> in the A-size Layout	12-29
<i>Viewport</i> Properties	12-30
Adding a <i>PARTS LIST</i> to the Assembly Drawing	12-31
Questions	12-37
Exercises	12-38

### Appendices

- A. Running and Sliding Fits – American National Standard
- B. Preferred Metric Fits –ISO standard
- C. UNIFIED NATIONAL THREAD FORM
- D. METRIC THREAD FORM
- E. FASTENERS (INCH SERIES)
- F. METRIC FASTENERS
- G. BOLT AND SCREW CLEARANCE HOLES
- H. REFERENCES

### Index