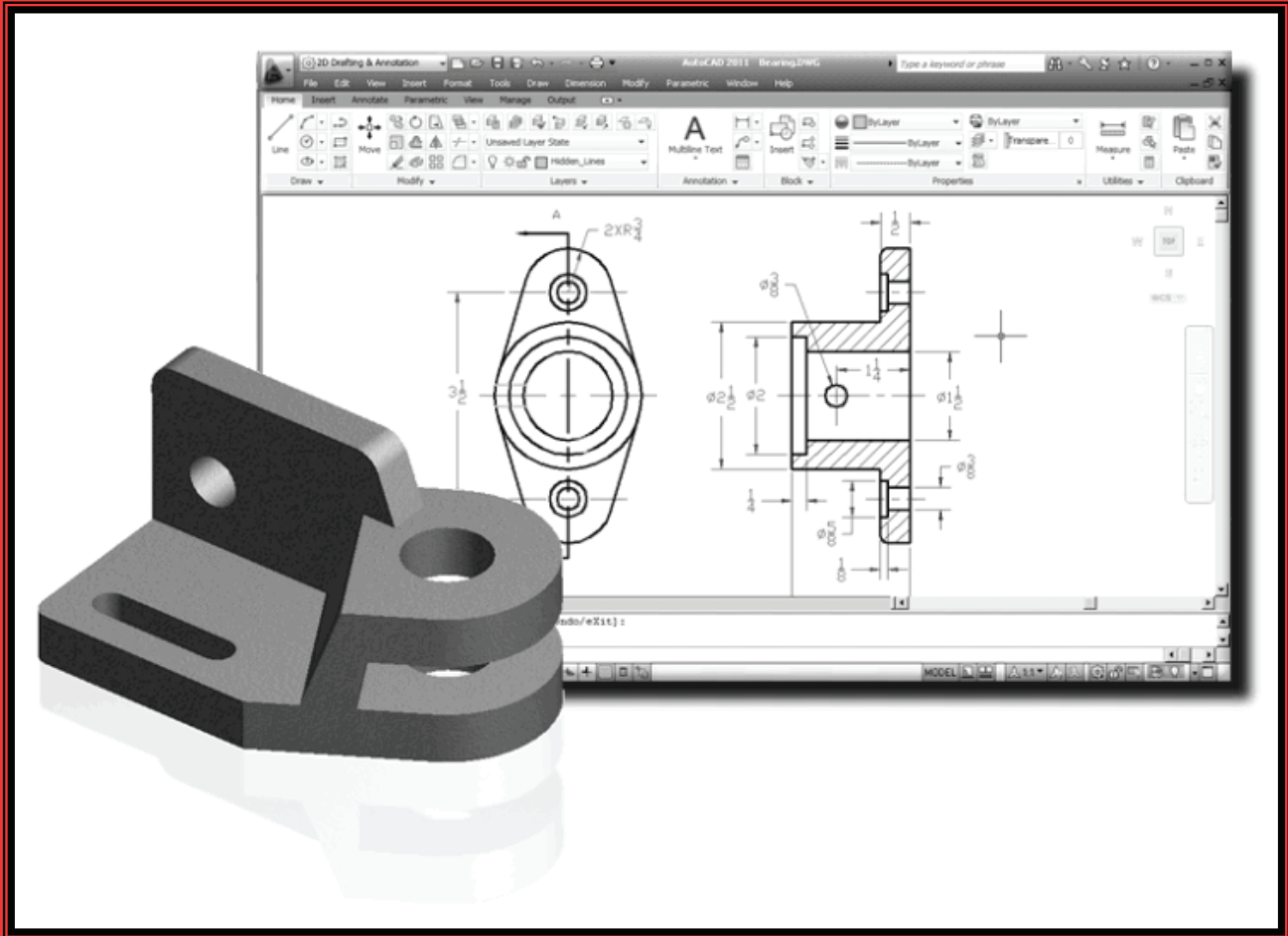


AutoCAD® 2011 Tutorial

First Level: 2D Fundamentals



by
Randy H. Shih
Oregon Institute of Technology

MULTIMEDIA DVD INSIDE:



SDC
PUBLICATIONS

www.SDCpublications.com

Schroff Development Corporation

Autodesk Certification Program
The tutorials and DVD prepare students for the
AutoCAD 2011
Certified Associate
Examination.

Table of Contents

Preface / MultiMedia DVD	i
Acknowledgments	ii
Notes on using this book to prepare for the AutoCAD Certified Associate Examination	iii
AutoCAD Certified Associate Examination Reference Guide	iv
Tips on Taking the AutoCAD Certified Associate Examination	x
Introduction	
Getting Started	
Introduction	Intro-2
Development of Computer Aided Design	Intro-2
Why use AutoCAD® 2011	Intro-5
Getting Started with AutoCAD® 2011	Intro-7
AutoCAD® 2011 Screen Layout	Intro-8
Application Menu	Intro-9
Workspace Switching	Intro-9
Quick Access Toolbar	Intro-9
AutoCAD Menu Bar	Intro-9
Graphics Window	Intro-9
Graphics Cursor or Crosshairs	Intro-10
Command Prompt Area	Intro-10
Cursor Coordinates	Intro-10
Status Toolbar	Intro-10
Ribbon Tabs and Panels	Intro-10
Draw and Modify Toolbar Panel	Intro-11
Layers Control Toolbar Panel	Intro-11
Annotation Toolbar Panel	Intro-11
Layout/Model Toolbar	Intro-11
Viewing Toolbar	Intro-11
Mouse Buttons	Intro-12
[Esc] - Canceling Commands	Intro-12
On-Line Help	Intro-13
Leaving AutoCAD® 2011	Intro-14
Creating a CAD File Folder	Intro-15
Chapter 1	
AutoCAD Fundamentals	
AutoCAD Certified Associate Examination Objectives Coverage	1-2
Introduction	1-3
Starting Up AutoCAD® 2011	1-3

Drawing Units Display Setup	1-5
Drawing Area Setup	1-6
Using the <i>InfoCenter</i> to Get More Information	1-7
Drawing Lines with the <i>LINE</i> Command	1-8
Visual Reference	1-10
<i>GRID</i> ON	1-11
<i>SNAP Mode</i> ON	1-12
Using the <i>ERASER</i>	1-13
Repeat the Last Command	1-14
The CAD Database and the User Coordinate System	1-15
Changing to the 2D UCS Icon Display	1-16
Cartesian and Polar Coordinate Systems	1-17
Absolute and Relative Coordinates	1-17
Defining Positions	1-18
The <i>Guide Plate</i>	1-19
Creating <i>Circles</i>	1-23
Save the CAD File	1-25
Close the Current Drawing	1-26
The <i>Spacer</i> Design	1-27
Start a New Drawing	1-27
Drawing Units Setup	1-28
Drawing Area Setup	1-29
Using the Line Command	1-31
Using the <i>ERASE</i> Command	1-33
Using the Arc Command	1-33
Using the Circle Command	1-35
Saving the CAD Design	1-36
Exit AutoCAD	1-36
Review Questions	1-37
Exercises	1-38

Chapter 2

Basic Object Construction Tools

AutoCAD Certified Associate Examination Objectives Coverage	2-2
Introduction	2-3
Starting Up AutoCAD® 2011	2-3
Dynamic Input	2-4
The <i>RockerArm</i> Design	2-7
Activate the Startup Option	2-8
Drawing Units Display Setup	2-9
<i>GRID</i> and <i>SNAP</i> Intervals Setup	2-10
Drawing Area Setup	2-11
Referencing the World Coordinate System	2-12
Creating <i>Circles</i>	2-13
<i>Object Snap</i> Toolbar	2-14

Using the <i>LINE</i> command	2-15
Creating a <i>TTR Circles</i>	2-17
Using the <i>TRIM</i> Command	2-19
Using the <i>Polygon</i> Command	2-21
Creating a Concentric <i>Circle</i>	2-23
Using the QuickCal Calculator to Measure Distance and Angle	2-24
Saving the CAD file	2-28
Exit AutoCAD	2-28
Review Questions	2-29
Exercises	2-30

Chapter 3

Geometric Construction and Editing Tools

AutoCAD Certified Associate Examination Objectives Coverage	3-2
Geometric Constructions	3-3
Starting Up AutoCAD® 2011	3-4
Geometric Construction - CAD Method	3-5
• Bisection of a Line or Arc	3-5
• Bisection of an Angle	3-8
• Transfer of an Angle	3-10
• Dividing a Given Line into a Number of Equal Parts	3-14
• Circle through Three Points	3-16
• Line Tangent to a Circle from a Given Point	3-17
• Circle of a Given Radius Tangent to Two Given Lines	3-18
The <i>Gasket</i> Design	3-21
Drawing Units Display Setup	3-22
<i>GRID</i> and <i>SNAP</i> Intervals Setup	3-23
Using the <i>LINE</i> Command	3-24
<i>Object Snap</i> Toolbar	3-26
Using the <i>EXTEND</i> Command	3-29
Using the <i>TRIM</i> Command	3-30
Creating a <i>TTR Circle</i>	3-31
Using the <i>FILLET</i> Command	3-32
Converting Objects into a <i>Polyline</i>	3-33
Using the <i>OFFSET</i> Command	3-34
Using the Area Inquiry Tool to Measure Area and Perimeter	3-35
Using the <i>EXPLODE</i> Command	3-37
Create another <i>FILLET</i>	3-37
Saving the CAD file	3-38
Exit AutoCAD	3-38
Review Questions	3-39
Exercises	3-40

Chapter 4

Object Properties and Organization

AutoCAD Certified Associate Examination Objectives Coverage	4-2
Introduction	4-3
The <i>Floor Plan</i> Design	4-3
Starting Up AutoCAD® 2011	4-4
Using the Setup Wizard	4-4
Drawing Units Setup	4-5
Reference Area Setup	4-5
<i>GRID</i> and <i>SNAP</i> Intervals Setup	4-6
Using the <i>ZOOM Extent</i> Command	4-7
The AutoCAD <i>MULTILINE</i> Command	4-7
Object Snap Toolbar	4-10
Drawing <i>Multilines</i>	4-11
Creating Interior Walls	4-14
Joining the Walls using <i>MULTILINE EDIT</i>	4-17
Using <i>Layers</i> and Object Properties	4-19
Using <i>ZOOM REALTIME</i>	4-22
Modeling the Bathroom	4-23
Controlling <i>Layer Visibility</i>	4-25
Adding a New Layer	4-25
Moving Objects to a Different Layer	4-26
Matching Layer Properties	4-27
Review Questions	4-29
Exercises	4-30

Chapter 5

Orthographic Views in Multiview Drawings

AutoCAD Certified Associate Examination Objectives Coverage	5-2
Introduction	5-3
The LOCATOR Design	5-3
The <i>Locator</i> Part	5-4
Starting Up AutoCAD® 2011	5-4
<i>GRID</i> and <i>SNAP</i> Intervals Setup	5-5
<i>Layers</i> Setup	5-6
Drawing <i>Construction Lines</i>	5-7
Using the <i>OFFSET</i> Command	5-7
Set Layer <i>Object</i> as the Current Layer	5-9
Using the <i>Running Object Snaps</i>	5-9
Creating <i>Object Lines</i>	5-11
Turn <i>OFF</i> the Construction Lines	5-12
Adding More Objects in the Front View	5-12
AutoCAD's AutoSnap™ and AutoTrack™ Features	5-13
Adding More Objects in the Top View	5-15

Drawing Using the <i>Miter Line</i> Method	5-19
More <i>Layers Setup</i>	5-21
Top View to Side View Projection	5-22
Completing the Front View	5-24
Object Information Using the List Command	5-26
Object Information Using the Properties Command	5-27
Review Questions	5-28
Exercises	5-29

Chapter 6

Basic Dimensioning and Notes

AutoCAD Certified Associate Examination Objectives Coverage	6-2
Introduction	6-3
The Bracket Design	6-3
Starting Up AutoCAD® 2011	6-4
GRID and SNAP intervals Setup	6-5
Layers Setup	6-6
The Bracket Design	6-7
Drawing Construction Lines	6-8
Using the <i>OFFSET</i> Command	6-8
Set Layer <i>Object_Lines</i> as the <i>Current Layer</i>	6-10
Creating Object Lines	6-10
Creating Hidden Lines	6-11
Creating Center Lines	6-12
Turn <i>OFF</i> the Construction Lines	6-12
Using the <i>FILLET</i> Command	6-13
Saving the Completed CAD Design	6-14
Accessing the Dimensioning Commands	6-15
The <i>Dimension Toolbar</i>	6-16
Using <i>Dimension Style Manager</i>	6-16
Dimensions Nomenclature and Basics	6-17
Using the <i>Center Mark</i> Command	6-20
Adding <i>Linear</i> Dimensions	6-21
Adding <i>Angular</i> Dimensions	6-22
Adding <i>Radius</i> and <i>Diameter</i> Dimensions	6-23
Using the <i>SINGLE LINE TEXT</i> Command	6-24
Adding Special Characters	6-25
Saving the Design	6-26
A Special Note on Layers Containing Dimensions	6-26
Review Questions	6-27
Exercises	6-28

Chapter 7

Templates and Plotting

AutoCAD Certified Associate Examination Objectives Coverage	7-2
Introduction	7-3
The Geneva Cam Design	7-3
Starting Up AutoCAD® 2011	7-4
Setting up the <i>Plot Style Mode</i>	7-5
Starting a New File	7-7
<i>GRID</i> and <i>SNAP</i> Intervals Setup	7-8
<i>Layers</i> Setup	7-9
Adding Borders and Title Block in the Layout	7-10
Create a <i>Template File</i>	7-13
Exit AutoCAD® 2011	7-14
Starting Up AutoCAD® 2011	7-14
The <i>Geneva Cam</i> Drawing	7-15
Drawing Construction Lines	7-16
Creating Object Lines	7-17
Using the <i>OFFSET</i> Command	7-18
Using the <i>MIRROR</i> Command	7-20
Using the <i>ARRAY</i> Command	7-21
Creating a <i>Viewport</i> Inside the Title Block	7-23
<i>Viewport</i> Properties	7-24
Hide the <i>Viewport Borders</i>	7-25
Adjusting the Dimension Scale	7-25
<i>Plot/Print</i> the Drawing	7-27
Review Questions	7-29
Exercises	7-30

Chapter 8

Parametric Drawing Tools

AutoCAD Certified Associate Examination Objectives Coverage	8-2
Introduction	8-3
Starting Up AutoCAD® 2011	8-5
<i>Layers</i> Setup	8-6
Creating Rough Sketches	8-7
Parametric Drawing Tools	8-9
Applying Geometric Constraints	8-10
Applying Dimensional Constraints	8-13
Additional Geometric and Dimensional Constructions	8-15
Using the <i>MIRROR</i> Command	8-26
Using the <i>TRIM</i> Command	8-27
Using the <i>Auto Constrain</i> Command	8-29
Creating and Constraining Additional Circles	8-31
Control the Display of Constraints	8-34

The Implicit Geometric Constraint Approach	8-35
Review Questions	8-41
Exercises	8-42

Chapter 9

Auxiliary Views and Editing with GRIPS

AutoCAD Certified Associate Examination Objectives Coverage	9-2
Introduction	9-3
The <i>V-Block</i> Design	9-3
Starting Up AutoCAD® 2011	9-4
Using the AutoCAD Classic Workspace	9-5
Setting up the Principal Views	9-6
Setting up the <i>Top View</i>	9-9
Using the <i>OFFSET</i> Command	9-10
Creating Object Lines in the <i>Front View</i>	9-12
Setting the <i>POLAR TRACKING</i> Option	9-13
Setting up the <i>Auxiliary View</i>	9-16
Aligning the <i>Auxiliary View</i> to the <i>Front View</i>	9-17
Creating the V-cut in the <i>Auxiliary View</i>	9-17
Creating the V-cut in the <i>Front-View</i> and <i>Top-View</i>	9-20
Setting the <i>Polar Tracking</i> Option	9-22
Completing the <i>Top-View</i>	9-22
Edit the Plot Style Table	9-26
Review Questions	9-28
Exercises	9-29

Chapter 10

Section Views

AutoCAD Certified Associate Examination Objectives Coverage	10-2
Introduction	10-3
The <i>Bearing</i> Design	10-3
Starting Up AutoCAD® 2011	10-4
The <i>Bearing</i> Example	10-5
Setting up the <i>Principal Views</i>	10-5
Creating Object Lines in the <i>Front View</i>	10-7
Editing the Circles	10-9
Setting up the <i>Side View</i>	10-10
Adding Hidden Lines in the <i>Side View</i>	10-12
Changing the <i>Line Type Scale</i> Property	10-14
Stretching and Moving Objects with <i>GRIPS</i>	10-15
Drawing a Cutting Plane Line	10-16
Converting the Side View into a Section View	10-19
Adding <i>Section Lines</i>	10-21

Review Questions	10-24
Exercises	10-25

Chapter 11

Assembly Drawings and Blocks

AutoCAD Certified Associate Examination Objectives Coverage	11-2
Introduction	11-3
The <i>Shaft Support</i> Subassembly	11-4
Additional Parts	11-4
(1) Cap-Screw	11-4
(2) Collar	11-5
(3) Base-Plate	11-5
Starting Up AutoCAD® and Loading Multiple Drawings	11-6
Using AutoCAD with the Internet	11-7
Rearrange the Displayed Windows	11-8
Defining a <i>Block</i>	11-9
Inserting a <i>Block</i>	11-11
Starting the <i>Assembly Drawing</i>	11-12
Copying and Pasting with the <i>Windows Clipboard</i>	11-13
Converting the View into a <i>Section View</i>	11-14
Adding the Bearing to the <i>Assembly Drawing</i>	11-16
Adding the Cap-Screws to the <i>Assembly Drawing</i>	11-19
Creating <i>Callouts</i> with the Multileader Command	11-21
Creating a <i>Viewport</i> in the A-Size Layout	11-24
<i>Viewport</i> Properties	11-25
Adding a <i>PARTS LIST</i> to the Assembly Drawing	11-26
Review Questions	11-32
Exercises	11-33

Index