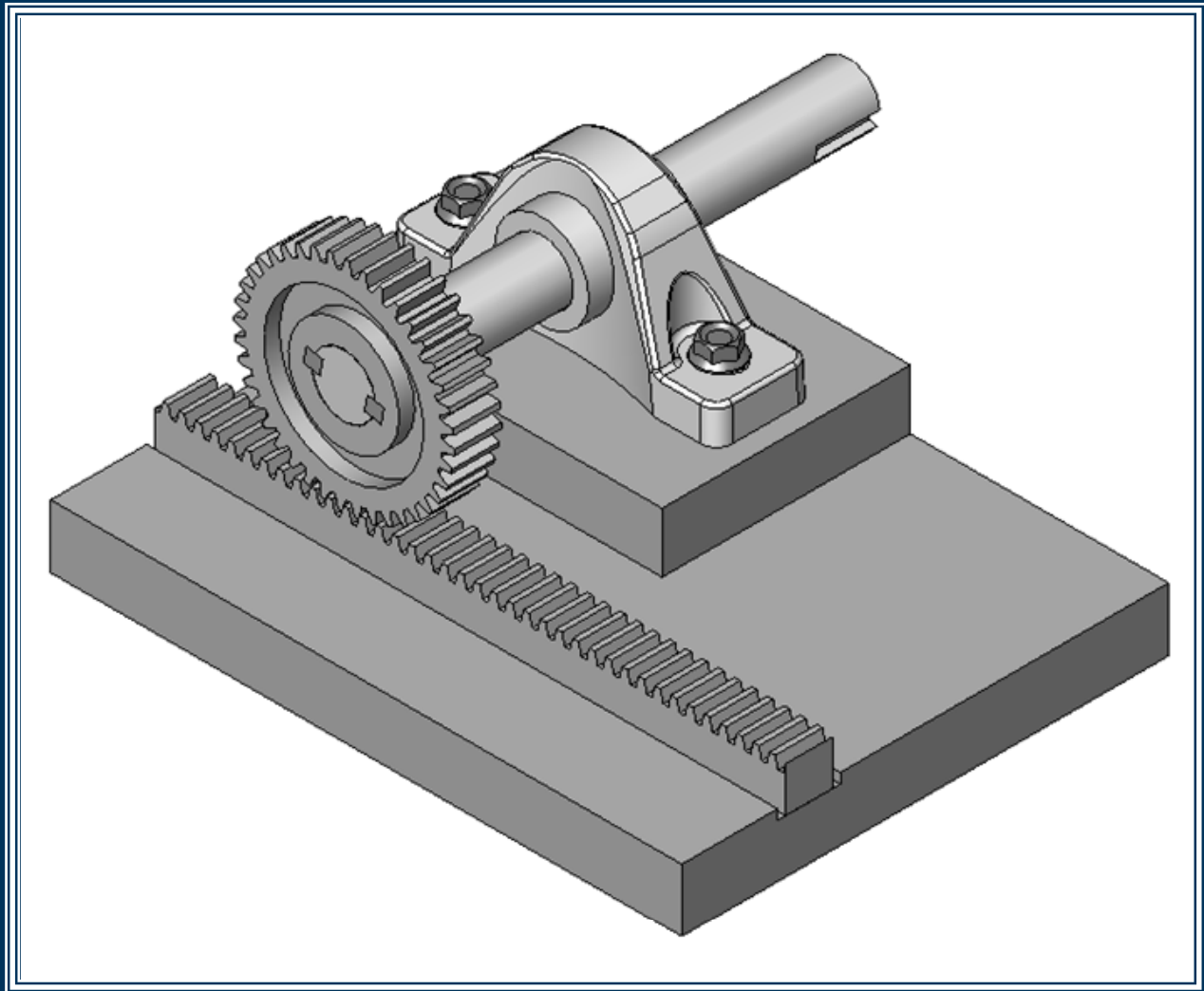


# Commands Guide Tutorial for SolidWorks® 2010

A comprehensive reference guide with over 230 tutorials

David C. Planchard & Marie P. Planchard CSWP



**SDC**  
PUBLICATIONS

Schroff Development Corporation  
[www.schroff.com](http://www.schroff.com)

Better Textbooks. Lower Prices.



---

# TABLE OF CONTENTS

<b>Introduction</b>	<b>I-1</b>
About the Book	I-1
About the Authors	I-2
Acknowledgment	I-3
Contact the Authors	I-3
Trademarks, Disclaimer and Copyrighted Material	I-4
Note to Instructors	I-4
References	I-4
Table of Contents	I-6
Command Syntax	I-21
Windows Terminology in SolidWorks	I-22
<b>Chapter 1 – Quick Start</b>	<b>1-1</b>
Chapter Objective	1-1
What is SolidWorks?	1-2
Basic concepts in SolidWorks	1-3
Starting a SolidWorks Session	1-5
Tutorial: Starting a SolidWorks Session 1-1	1-6
SolidWorks User Interface (UI) and CommandManager	1-6
Menu Bar toolbar	1-6
Menu Bar menu	1-7
Drop-down menu	1-7
Right-click	1-8
Consolidated toolbar	1-8
System feedback	1-8
Confirmation Corner	1-9
Heads-up View toolbar	1-9
CommandManager	1-11
FeatureManager Design Tree	1-14
Fly-out FeatureManager	1-16
Task Pane	1-17
SolidWorks Resources	1-17
Design Library	1-17
File Explorer	1-18
Search	1-18
View Palette	1-18
Appearances/Scenes	1-19
Document Recovery	1-19
Motion Study	1-20
Create New Parts	1-20
Tutorial: Axle 1-1	1-22
Tutorial: Flatbar 1-2	1-27
Create a New Assembly	1-32
Tutorial: AirCylinder Linkage assembly 1-3	1-32
Create a New Drawing	1-37
Tutorial: AirCylinder Linkage Drawing 1-4	1-37
Summary	1-40
Key Terms	1-41

<b>Chapter 2 – SolidWorks System Options</b>	<b>2-1</b>
Chapter Objective	2-1
System Options	2-1
Tutorial: Close all models 2-1	2-1
General	2-2
Drawings	2-5
Display Style	2-7
Area Hatch/Fill	2-8
Colors	2-9
Sketch	2-11
Relations/Snaps	2-13
Display/Selection	2-14
Performance	2-18
Assemblies	2-21
External References	2-22
Default Templates	2-24
File Locations	2-25
Tutorial: Document Templates Location 2-2	2-25
Tutorial: Referenced Document Location 2-3	2-26
Tutorial: Design Library Location 2-4	2-26
FeatureManager	2-27
Spin Box Increments	2-28
View	2-29
Backup/Recover	2-29
Hole Wizard/Toolbox	2-31
File Explorer	2-31
Search	2-32
Collaboration	2-32
Advance	2-33
Summary	2-33
<b>Chapter 3 – SolidWorks Document Properties</b>	<b>3-1</b>
Chapter Objective	3-1
Document Properties / Templates	3-2
Tutorial: Close all models 3-1	3-2
Drafting Standard	3-2
Annotations	3-3
Annotations – Balloons	3-5
Annotations – Datums	3-7
Annotations – Geometric Tolerance	3-9
Annotations – Notes	3-10
Annotations – Surfaces Finishes	3-11
Annotations – Weld Symbols	3-12
Dimensions	3-13
Dimensions – Angle	3-17
Dimensions – Arc Length	3-18
Dimensions – Chamfer	3-20
Dimensions – Diameter	3-21
Dimensions – Hole Callout	3-23
Dimensions – Linear	3-25
Dimensions – Ordinate	3-27
Dimensions – Radius	3-29
Virtual Sharps	3-31
Tables	3-31
Detailing	3-33
Grid/Snap	3-34

## Introduction

Units	3-34
Color	3-37
Material Properties	3-37
Image Quality	3-38
Plane Display	3-39
Tutorial: Assembly Template 3-2	3-40
Tutorial: Part Template 3-3	3-41
DimXpert	3-42
DimXpert – Size Dimensions	3-43
DimXpert – Location Dimension	3-44
DimXpert – Chain Dimension	3-44
DimXpert – Geometric Tolerance	3-45
DimXpert – Chamfer Controls	3-47
DimXpert – Display Options	3-47
Drawing Document Properties Section	3-48
Dimensions – Centerlines/Center Marks	3-49
Dimensions – DimXpert	3-50
Tables – General	3-51
Tables – Holes	3-52
Tables – Revision	3-54
View Labels	3-55
Detailing	3-56
Line Font	3-57
Line Style	3-57
Line Thickness	3-58
Sheet Metal	3-58
Summary	3-59
<b>Chapter 4 – Design Intent, Sketching and Sketch Entities</b>	<b>4-1</b>
Chapter Objective	4-1
Design Intent	4-2
Design Intent in a sketch	4-2
Design Intent in a feature	4-3
Design Intent in a part	4-3
Design Intent in an assembly	4-4
Design Intent in a drawing	4-4
SolidWorks Design Intent tools	4-4
Comments	4-4
Design Binder	4-5
ConfigurationManager	4-5
Dimensions	4-5
Equations	4-5
Design Tables	4-6
Features	4-6
Sketching / Reference Planes	4-6
2D Sketching / Reference Planes	4-7
Tutorial: Default Reference Planes 4-1	4-8
3D Sketching / Reference Planes	4-9
Tutorial: 3D Sketching 4-1	4-10
Tutorial: 3D Sketching 4-2	4-10
Tutorial: 3D Sketching 4-3	4-12
2D Sketching / inserting Reference Planes	4-13
Plane Tool	4-13
Tutorial: Insert Reference Planes 4-2	4-14
Tutorial: Angled Reference Planes 4-3	4-14
Tutorial: Reference Plane 4-4	4-15

Tutorial Reference Plane 4-5	4-15
Parent/Child Relationship	4-16
Tutorial: Parent-Child 4-1	4-16
Sketch States	4-17
Sketch Entities	4-18
Line Sketch Entity	4-18
Rectangle and Parallelogram Sketch Entity	4-19
Slot Sketch Entity	4-20
Tutorial: Slot Sketch – Instant3D 4-1	4-21
Polygon Sketch Entity	4-23
Tutorial: Polygon 4-1	4-24
Circle Sketch and Perimeter Circle Sketch Entity	4-25
Tutorial: Perimeter Circle 4-1	4-26
Centerpoint Arc Sketch Entity	4-27
Tutorial: Centerpoint Arc 4-1	4-28
Tangent Arc Sketch Entity	4-28
Tutorial: Tangent Arc 4-1	4-29
3 Point Arc Sketch Entity	4-29
Tutorial: 3 Point Arc 4-1	4-30
Ellipse Sketch Entity	4-31
Tutorial: Ellipse 4-1	4-31
Partial Ellipse Sketch Entity	4-31
Parabola Sketch Entity	4-32
Tutorial: Parabola 4-1	4-32
Spline Sketch Entity	4-33
Spline Toolbar	4-35
Tutorial: Spline 4-1	4-36
Tutorial: 2D Spline 4-2	4-36
Tutorial: 3D Spline 4-1	4-38
Tutorial: 3D Spline 4-2	4-38
Tutorial: 3D Spline 4-3	4-39
Add New elements to a 3D Spline	4-39
Spline on Surface Entity	4-40
Tutorial: Spline on Surface 4-1	4-40
Equation Driven Curve	4-41
Tutorial: Equation Driven Curve 4-1	4-41
Point Sketch Entity	4-42
Centerline Sketch Entity	4-43
Text Sketch Entity	4-44
Tutorial: Text 4-1	4-45
Plane Sketch Entity	4-46
Tutorial: Sketch Plane 4-1	4-47
Route Line Sketch Entity	4-48
Tutorial: Route Line 4-1	4-49
Tutorial: Route Line 4-2	4-50
Belt/Chain Sketch Entity	4-52
Blocks	4-53
Blocks Toolbar	4-53
Tutorial: Block 4-1	4-54
Tutorial: Belt-chain 4-2	4-55
Summary	4-56
<b>Chapter 5 – Sketch Tools, Geometric Relations and Dimensions/Relations tools</b>	<b>5-1</b>
Chapter Objective	5-1
Sketch Tools	5-2
Sketch Fillet Sketch tool	5-2

## Introduction

Tutorial: 2D Sketch Fillet 5-1	5-3
Tutorial 3D Sketch Fillet 5-2	5-4
Sketch Chamfer Sketch tool	5-5
Tutorial: Sketch Chamfer 5-1	5-5
Tutorial: Sketch Chamfer 5-2	5-6
Tutorial: Sketch Chamfer 5-3	5-7
Offset Entities Sketch tool	5-7
Tutorial: Offset Entity 5-1	5-8
Tutorial: Offset Entity 5-2	5-9
Convert Entities Sketch tool	5-9
Tutorial: Convert Entity 5-1	5-10
Intersection Curve Sketch tool	5-10
Tutorial: Intersection Curve 5-1	5-11
Face Curves Sketch tool	5-12
Tutorial: Face Curve 5-1	5-13
Tutorial: Face Curve 5-2	5-14
Trim Entities Sketch tool	5-14
Tutorial: Trim Entity 5-1	5-15
Tutorial: Trim Entity 5-2	5-15
Extend Entities Sketch tool	5-16
Tutorial: Extend Entity 5-1	5-16
Split Entities Sketch tool	5-16
Tutorial: Split Entity 5-1	5-17
Construction Geometry Sketch tool	5-17
Tutorial: Construction Geometry	5-17
Jog Line Sketch tool	5-18
Tutorial: Jog line 5-1	5-18
Tutorial: Jog line 5-2	5-19
Make Path Sketch tool	5-19
Tutorial: Make Path 5-1	5-20
Mirror Sketch tool	5-21
Tutorial: Mirror Entity 5-1	5-22
Dynamic Mirror Sketch tool	5-22
Tutorial: Dynamic Mirror 5-1	5-23
Stretch Sketch tool	5-23
Tutorial: Stretch 5-1	5-24
Move Sketch tool	5-25
Tutorial: Move 5-1	5-26
Copy Sketch tool	5-27
Tutorial: Copy 5-1	5-27
Scale Sketch tool	5-28
Tutorial: Scale 5-1	5-28
Rotate Sketch tool	5-29
Tutorial: Rotate 5-1	5-30
Linear Pattern Sketch tool	5-30
Tutorial: Linear Pattern 5-1	5-32
Circular Pattern Sketch tool	5-33
Tutorial: Circular Pattern 5-1	5-34
SketchXpert	5-35
Tutorial: SketchXpert 5-1	5-36
Align Sketch tool	5-38
Sketch tool	5-38
Align Grid/Origin Sketch tool	5-38
Custom Menu	5-38
Tutorial: Align 5-1	5-39
Modify Sketch tool	5-40

Tutorial: Modify 5-1	5-41
2D to 3D Sketch Tool	5-41
Tutorial: 2D to 3D Sketch tool 5-1	5-43
Creates Sketch from Selections	5-45
Tutorial: Create Sketch from Selections 5-1	5-45
Repair	5-45
Tutorial: Repair Sketch 5-1	5-46
Sketch Picture	5-46
Tutorial: Sketch Picture 5-1	5-47
Geometric Relations 2D Sketches	5-48
Automatic Relations	5-48
Manual Relations	5-49
Geometric Relations in 3D Sketches	5-52
3D Sketch Relations	5-52
Dimension/Relations Toolbar	5-53
Smart Dimension tool	5-54
Smart Dimension tool - Value tab	5-54
Smart Dimension tool - Leaders tab	5-57
Smart Dimension tool - Other tab	5-59
Horizontal Dimension tool	5-59
Vertical Dimension tool	5-59
Baseline Dimension tool	5-60
Tutorial: Baseline Dimension Drawing 5-1	5-60
Ordinate Dimension tool	5-61
Tutorial: Ordinate Dimension Drawing 5-1	5-61
Horizontal Ordinate Dimension	5-62
Vertical Ordinate Dimension	5-62
Chamfer Dimension	5-62
Tutorial: Chamfer Dimension Drawing 5-1	5-62
Add Relation tool	5-63
Tutorial: Add Relation 5-1	5-64
Tutorial: Add Relation 5-2	5-64
Tutorial: Add Relation 5-3	5-65
Display/Delete Relations Dimension tool	5-65
Tutorial: Display/Delete 5-1	5-66
Fully Defined Sketch tool	5-67
Tutorial: Fully Defined 5-1	5-68
DimXpertManager	5-69
DimXpert toolbar	5-70
Auto Dimension Scheme tool	5-71
Tutorial: DimXpert 5-1	5-73
Tutorial: DimXpert 5-2	5-74
Tutorial: DimXpert 5-3	5-79
Show Tolerance Status	5-80
Copy Scheme	5-81
TolAnalyst Study	5-81
Summary	5-83
<b>Chapter 6 – Extruded Boss/Base, Extruded Cut, Fillet and Cosmetic Features</b>	<b>6-1</b>
Chapter Objective	6-1
Extruded Features	6-1
Extruded Boss/Base Feature	6-2
Tutorial: Extrude 6-1	6-8
Detailed Preview PropertyManager	6-9
Tutorial: Extrude 6-2	6-10
Tutorial: Extrude 6-3	6-12

## Introduction

Extruded Cut Feature	6-12
Tutorial: Extruded Cut 6-1	6-18
Tutorial: Extruded Cut 6-2	6-20
Tutorial: Extruded Cut 6-3	6-21
Extruded Solid Thin Feature	6-22
Tutorial: Solid Thin 6-1	6-22
Extruded Surface Feature	6-23
Tutorial: Extruded Surface 6-1	6-26
Cut With Surface Feature	6-27
Tutorial: Cut With Surface 6-1	6-28
Tutorial: Cut With Surface 6-2	6-29
Fillets in General	6-30
Fillet Feature	6-31
Fillet PropertyManager: Manual Tab	6-31
Control Points	6-34
Tutorial: Fillet 6-1	6-35
Tutorial: Fillet 6-2	6-35
Tutorial: Fillet 6-3	6-36
Tutorial: Fillet 6-4	6-38
FilletXpert PropertyManager	6-38
FilletXpert PropertyManager: Add Tab	6-39
FilletXpert PropertyManager: Change Tab	6-39
FilletXpert PropertyManager: Corner Tab	6-40
Tutorial: Fillet 6-5	6-40
Tutorial: Fillet 6-6	6-41
Tutorial: Fillet 6-7	6-41
Cosmetic Thread Feature	6-42
Tutorial: Cosmetic Thread 6-1	6-43
Summary	6-45

## Chapter 7 – Revolved, Simple Hole, Hole Wizard and Dome Features

<b>Chapter 7 – Revolved, Simple Hole, Hole Wizard and Dome Features</b>	<b>7-1</b>
Chapter Objective	7-1
Revolved Boss/Base Feature	7-1
Tutorial: Revolve Boss/Base 7-1	7-4
Tutorial: Revolve Boss/Base 7-2	7-5
Tutorial: Revolve Boss/Base 7-3	7-5
Revolved Cut Feature	7-7
Tutorial: Revolved Cut 7-1	7-8
Tutorial: Revolved Cut 7-2	7-9
Revolved Boss Thin Feature	7-10
Tutorial: Revolve Boss Thin 7-1	7-10
Revolved Surface Feature	7-11
Tutorial: Revolved Surface 7-1	7-12
Tutorial: Revolved Surface 7-2	7-12
Simple Hole Feature	7-14
Tutorial: Simple Hole 7-1	7-14
Hole Wizard Feature	7-15
Tutorial: Hole Wizard 7-1	7-19
Tutorial: Hole Wizard 7-2	7-21
Tutorial: Hole Wizard 7-3	7-22
Tutorial: Hole Wizard 7-4	7-23
Dome Feature	7-26
Tutorial: Dome 7-1	7-27
Tutorial: Dome 7-2	7-27
Summary	7-28



<b>Chapter 8 – Shell, Draft and Rib Features</b>	<b>8-1</b>
Chapter Objective	8-1
Shell Feature	8-1
Tutorial: Shell 8-1	8-3
Tutorial: Shell 8-2	8-4
Draft Feature	8-4
Draft PropertyManager	8-5
Draft PropertyManager: Manual Tab	8-5
Tutorial: Draft 8-1	8-7
Tutorial: Draft 8-2	8-7
DraftXpert PropertyManager: Add/Change Tab	8-8
Tutorial: DraftXpert 8-1	8-10
Tutorial: DraftXpert 8-2	8-11
Rib Feature	8-12
Tutorial: Rib 8-1	8-14
Tutorial: Rib 8-2	8-15
Tutorial: Rib 8-3	8-15
Tutorial: Rib 8-4	8-16
Summary	8-17
<b>Chapter 9 – Pattern and Mirror Features</b>	<b>9-1</b>
Chapter Objective	9-1
Linear Pattern Feature	9-1
Tutorial: Linear Pattern 9-1	9-4
Tutorial: Linear Pattern 9-2	9-5
Tutorial: Linear Pattern 9-3	9-6
Tutorial: Linear Pattern 9-4	9-7
Circular Pattern Feature	9-8
Tutorial: Circular Pattern 9-1	9-11
Curve Driven Pattern Feature	9-12
Tutorial: Curve Driven 9-1	9-14
Sketch Driven Pattern	9-15
Tutorial: Sketch Driven 9-1	9-16
Table Driven Pattern Feature	9-17
Coordinate System PropertyManager	9-18
Tutorial: Table Driven 9-1	9-20
Tutorial: Table Driven 9-2	9-21
Fill Pattern Feature	9-22
Tutorial: Fill Pattern 9-1	9-26
Mirror Feature	9-26
Tutorial: Mirror 9-1	9-28
Summary	9-29
<b>Chapter 10 – Swept, Loft, Wrap and Flex Features</b>	<b>10-1</b>
Chapter Objective	10-1
Swept Feature	10-1
Swept Boss/Base Feature	10-2
Tutorial: Swept Base 10-1	10-5
Tutorial: Swept Base 10-2	10-6
Tutorial: Swept Boss 10-1	10-7
Tutorial: 3D Swept Base 10-1	10-8
Swept Thin Feature	10-9
Tutorial: Swept Thin 10-1	10-9
Tutorial: Swept Guide Curves 10-1	10-10
Tutorial: Swept Guide Curves 10-2	10-11
Tutorial: Swept Twist 10-1	10-11

## Introduction

Tutorial: Swept Merge Tangent Faces 10-1	10-12
Swept Cut Feature	10-13
Tutorial: Swept Cut 10-1	10-13
Tutorial: Swept Cut 10-2	10-15
Loft Feature	10-15
Tutorial: Loft 10-1	10-21
Tutorial: Loft Guide Curves 10-1	10-22
Tutorial: Loft to Point 10-1	10-22
Tutorial: Loft Multibody 10-1	10-23
Tutorial: Loft Twist 10-1	10-25
Loft Cut Feature	10-25
Tutorial: Loft Cut 10-1	10-25
Tutorial: Loft Flex 10-1	10-25
Adding A Loft Section	10-26
Tutorial: Add Loft section 10-1	10-27
Wrap Feature	10-27
Tutorial: Wrap 10-1	10-28
Tutorial: Wrap 10-2	10-29
Flex Feature	10-30
Summary	10-31

<b>Chapter 11 – Bottom-Up Assembly Modeling and more</b>	<b>11-1</b>
Chapter Objective	11-1
Bottom-Up Assembly Modeling	11-2
Terminology Review	11-2
Design Table	11-2
Hide components	11-2
Lightweight Components	11-2
Suppress	11-2
Assembly Configuration Methods	11-3
Manual (Add Configuration)	11-3
Design Tables	11-6
Configure Component tool / Configure Dimension tool	11-8
Assembly Task List - Before you begin	11-9
Assembly Templates	11-9
Assembly FeatureManager and Component States	11-10
General Mates Principles	11-12
Mate PropertyManager	11-13
Mate PropertyManager – Mates tab	11-13
Tutorial: Standard Mate 11-1	11-17
Tutorial: Mechanical Gear Mate 11-1	11-18
Tutorial: Mechanical Cam Mate 11-1	11-19
Tutorial: Mechanical Rack Pinion Gear Mate 11-1	11-21
Tutorial: Mechanical Hinge Mate 11-1	11-22
Tutorial: Mechanical Screw Mate 11-1	11-24
Tutorial: Advanced Path Mate 11-1	11-25
Mate PropertyManager - Analysis Tab	11-26
Tutorial: Assign Mate properties with the Analysis tab 11-1	11-27
SmartMates	11-28
Types of SmartMates	11-28
Tutorial: SmartMate 11-1	11-29
Tutorial: SmartMate 11-2	11-30
InPlace Mates	11-31
Mate References	11-32
Tutorial: Mate Reference 11-1	11-33
Mate Diagnostics/MateXpert	11-34

Tutorial: MateXpert 11-1	11-36
AssemblyXpert	11-39
Tutorial: AssemblyXpert 11-1	11-39
Large Assembly mode	11-40
Fully Resolved	11-40
Lightweight	11-40
Quick view	11-40
Selective open	11-40
Instant3D in an Assembly	11-42
Tutorial: Instant3D 11-1	11-42
Tutorial: Instant3D 11-2	11-42
Summary	11-43
<b>Chapter 12 – Top-Down Assembly Modeling and more</b>	<b>12-1</b>
Chapter Objective	12-1
Top-Down Assembly Modeling	12-2
Assembly Methods	12-2
In-Context	12-3
Out of Context	12-4
Assembly Toolbar	12-4
Insert Component tool	12-4
New Part tool	12-5
New Assembly tool	12-5
Tutorial: Insert a feature In-Context of an assembly 12-1	12-5
Tutorial: New Part In-Context of an assembly 12-1	12-6
Tutorial: Layout Sketch Assembly 12-1	12-7
Tutorial: Entire Assembly 12-2	12-8
Tutorial: Layout tool with Block Assembly 12-3	12-9
Tutorial: Layout tool with Block Assembly 12-4	12-11
Copy with Mates tool	12-14
Mate tool	12-14
Linear Component Pattern tool	12-14
Smart Fasteners tool	12-14
Tutorial: Insert a Smart Fastener 12-1	12-16
Tutorial: Insert a Smart Fastener 12-2	12-18
Move Component tool	12-19
Rotate Component tool	12-21
Show Hidden Components	12-21
Consolidated Assembly Features tool	12-21
Consolidated Reference Geometry tool	12-21
Bill of Materials tool	12-21
New Motion Study tool	12-22
Animation Wizard	12-22
Basic Motion	12-22
Animation Wizard	12-22
Linear / Rotary Motor tool	12-24
Spring tool	12-24
Contact tool	12-26
Gravity tool	12-26
Tutorial: Motion Study 12-1	12-26
Tutorial: Motion Study 12-2	12-28
Exploded View tool	12-30
Tutorial: Exploded View 12-1	12-31
Exploded Line Sketch tool	12-32
Tutorial: Exploded Line Sketch 12-1	12-32
Interference Detection tool	12-34

## Introduction

Tutorial: Interference Detection 12-1	12-35
Clearance Verification	12-36
AssemblyXpert	12-38
Hide/Show Components / Display Pane	12-38
Tutorial: Component States 12-1	12-38
Edit Component tool	12-39
Tutorial: Edit Component 12-1	12-40
Configurations	12-41
Manual Configurations	12-42
Manual Configuration / Add Configuration PropertyManager	12-42
Tutorial: Manual Configuration 12-1	12-44
Manual Configuration / Edit Configuration	12-45
Tutorial: Manual Configuration 12-2	12-46
Automatic Configuration: Design Tables	12-47
Tutorial: Design Table 12-1	12-48
Tutorial: Design Table 12-2	12-49
Configure component tool / Configure dimension tool	12-50
Tutorial: Configure component / Dimension tool 12-1	12-51
Equations	12-52
Equations tool	12-53
Tutorial: Equations 12-1	12-53
Tutorial: Equations 12-2	12-54
Summary	12-56
<b>Chapter 13 – 2D Drawings and eDrawings</b>	<b>13-1</b>
Chapter Objective	13-1
Drawings	13-1
Sheet Format, Size, and Properties	13-2
Tutorial: Sheet Properties 13-1	13-4
View Palette	13-4
Tutorial: View Palette 13-1	13-5
View Layout Toolbar	13-6
Standard 3 Views tool	13-7
Tutorial: Standard 3 View 13-1	13-7
Model View tool	13-8
Tutorial: Model View 13-1	13-11
Projected View tool	13-12
Tutorial: Projected View 13-1	13-14
Auxiliary View tool	13-15
Tutorial: Auxiliary View 13-1	13-17
Tutorial: Auxiliary View 13-2	13-17
Section View tool	13-18
Tutorial: Section View 13-1	13-21
Aligned Section View tool	13-22
Tutorial: Aligned Section View 13-1	13-22
Tutorial: Copy / Paste 13-1	13-23
Detail View tool	13-24
Tutorial: Detail View 13-1	13-26
Broken-out Section tool	13-28
Tutorial: Broken-out Section 13-1	13-28
Break tool	13-29
Tutorial: Break view 13-1	13-30
Crop tool	13-30
Tutorial: Crop view 13-1	13-31
Alternate Position View tool	13-32
Tutorial: Alternate Position 13-1	13-32

Annotations Toolbar	13-33
Smart Dimension tool	13-34
Smart Dimension tool: DimXpert tab	13-34
Tutorial: Smart Dimension 13-1	13-35
Smart Dimension tool: AutoDimension tab	13-36
Tutorial: Autodimension 13-1	13-36
Model Items tool	13-38
Tutorial: Model Items view 13-1	13-40
Note tool	13-40
Tutorial: Note 13-1	13-43
Spell Checker tool	13-44
Format Painter tool	13-45
Tutorial: Format Painter 13-1	13-45
Balloon tool	13-46
Tutorial: Balloon 13-1	13-47
Auto Balloon tool	13-48
Tutorial: AutoBalloon 13-1	13-50
Surface Finish tool	13-51
Tutorial: Surface Finish 13-1	13-53
Weld Symbol tool	13-53
Tutorial: Weld Symbol 13-1	13-54
Geometric Tolerance tool	13-56
Tutorial: Geometric Tolerance 13-1	13-57
Datum Feature tool	13-59
Tutorial: Datum Feature 13-1	13-61
Datum Target tool	13-62
Hole Callout tool	13-63
Tutorial: Hole Callout 13-1	13-63
Revision Symbol tool	13-64
Tutorial: Revision Symbol 13-1	13-64
Area Hatch/Fill tool	13-65
Tutorial: Area Hatch/Fill 13-1	13-66
Block tool	13-67
Center Mark tool	13-67
Tutorial: Center Mark 13-1	13-69
Centerline tool	13-70
Tutorial: Centerline 13-1	13-70
Consolidated Table toolbar	13-71
Table tool: General	13-71
Table tool: Hole	13-72
Table tool: Bill of Materials	13-73
Tutorial: Bill of Materials 13-1	13-75
Table tool: Revision Table	13-76
DimXpert Dimensions and Drawings	13-77
Tutorial: DimXpert 13-1	13-77
Tutorial: DimXpert 13-2	13-81
Tutorial: DimXpert 13-3	13-81
eDrawings	13-81
eDrawings Toolbar	13-84
Publish eDrawings 2010 File tool	13-84
Animate with eDrawings 2010 tool	13-84
Tutorial: eDrawing 13-1	13-85
Line Formats Toolbar	13-85
Layer Properties	13-86
Line Color	13-86
Line Thickness	13-86

## Introduction

Line Style	13-87
Hidden Edge	13-87
Color Display Mode	13-87
Summary	13-87

## Chapter 14 – Sheet Metal 14-1

Chapter Objective	14-1
Sheet Metal	14-1
Sheet Metal Toolbar	14-2
Base-Flange/Tab tool	14-2
Tutorial: Base Flange 14-1	14-4
Convert to Sheet Metal tool	14-5
Tutorial: Convert to Sheet Metal 14-1	14-6
Lofted Bend tool	14-7
Tutorial: Lofted Blend 14-1	14-8
Edge Flange tool	14-8
Tutorial: Edge Flange 14-1	14-11
Tutorial: Edge Flange 14-2	14-11
Miter Flange tool	14-12
Tutorial: Miter Flange 14-1	14-14
Hem tool	14-15
Tutorial: Hem 14-1	14-16
Sketch Bend tool	14-17
Tutorial: Sketch Bend 14-1	14-18
Jog tool	14-19
Tutorial: Jog 14-1	14-20
Cross-Break tool	14-21
Tutorial: Cross-Break 14-1	14-22
Consolidated Corner toolbar	14-22
Closed Corner tool	14-23
Tutorial: Closed Corner 14-1	14-24
Welded Corner tool	14-24
Tutorial: Welded Corner 14-1	14-25
Break Corner tool	14-25
Break Corner/Corner Trim 14-1	14-26
Simple Hole tool	14-26
Vent tool	14-26
Tutorial: Vent 14-1	14-28
Unfolded tool	14-29
Tutorial: Unfolded 14-1	14-29
Fold tool	14-29
Tutorial: Fold 14-1	14-30
Flatten tool	14-31
Tutorial: Flatten 14-1	14-31
No Bends tool	14-32
Insert Bends tool	14-32
Tutorial: Insert Bends 14-1	14-34
Rip tool	14-34
Tutorial: Rip 14-1	14-35
Sheet Metal Library Feature	14-36
Tutorial: Sheetmetal Library Feature 14-1	14-36
Summary	14-50

## Chapter 15 – PhotoView 360 15-1

Chapter Objective	15-1
PhotoView 360	15-1

Introduction	15-1
Interface	15-2
Open Files	15-3
Appearances	15-3
Environments	15-4
Settings	15-4
Final Render	15-5
Gallery	15-5
Tutorial: PhotoView 15-1	15-5
Tutorial: PhotoView 15-2	15-8
Tutorial: PhotoView 15-3	15-9
Summary	15-11
<b>Chapter 16 – SolidWorks Design Library, Explorer, Toolbox and Measure tool</b>	<b>16-1</b>
Chapter Objective	16-1
Measure tool	16-1
Tutorial: Measure 16-1	16-3
Design Library	16-4
Working with Design Library Contents	16-4
Tutorial: Assembly Design Library 16-1	16-5
Add a Design Library tab	16-5
Tutorial: Assembly Design Library 16-2	16-5
SolidWorks Explorer	16-6
Tutorial: SolidWorks Explorer 16-1	16-7
Summary	16-11
<b>Chapter 17 – SimulationXpress &amp; SustainabilityXpress</b>	<b>17-1</b>
Chapter Objective	17-1
SolidWorks SimulationXpress	17-1
SimulationXpress User Interface	17-2
Welcome	17-2
Fixture	17-2
Load	17-2
Material	17-2
Run	17-2
Results	17-2
Tutorial: SimulationXpress 17-1	17-3
SustainabilityXpress	17-9
SustainabilityXpress User Interface	17-9
Material Class	17-9
Material Name	17-9
Manufacturing Process	17-9
Manufacturing Region	17-9
Transportation and Usage Region	17-9
Tutorial: SustainabilityXpress 17-1	17-9
Summary	17-12
<b>Appendix</b>	
Types of Decimal Dimensions ASME Y14.5M	<b>A-1</b>
SolidWorks Keyboard Shortcuts	A-2
Helpful On-Line Information	A-4
SolidWorks Document Types	A-5

**Index**