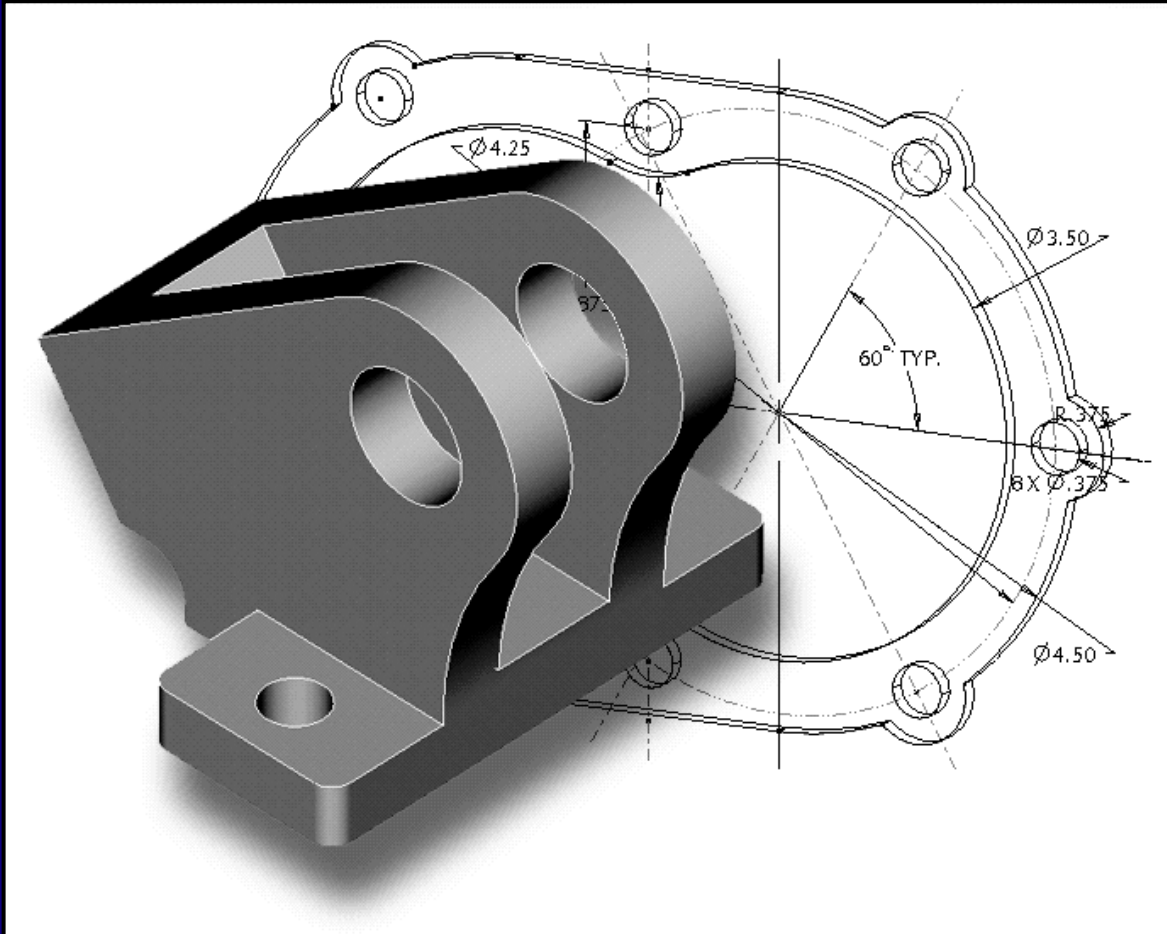


An Introduction to Autodesk Inventor 2010 and AutoCAD 2010



Randy H. Shih

SDC
PUBLICATIONS

Schroff Development Corporation

www.schroff.com

Table of Contents

Autodesk Inventor 2010

Chapter 1

Getting Started

Introduction	1-2
Development of Computer Geometric Modeling	1-2
Feature-Based Parametric Modeling	1-6
Getting Started with Autodesk Inventor	1-7
The Startup dialog box and Units Setup	1-8
Autodesk Inventor Screen Layout	1-9
Pull-down Menus	1-10
Standard Toolbar	1-10
Part Feature Toolbar	1-10
Help Options	1-10
2D Sketch Toolbar	1-10
Graphics Window	1-11
Graphics Cursor or Crosshairs	1-11
Message and Status Bar Area	1-11
Browser	1-11
Mouse Buttons	1-12
[Esc] - Canceling commands	1-12
On-Line Help	1-13
Leaving Autodesk Inventor	1-13
Creating a CAD files folder	1-14

Chapter 2

Parametric Modeling Fundamentals

Introduction	2-2
The Adjuster design	2-3
Starting Autodesk Inventor	2-3
Autodesk Inventor Screen Layout	2-4
Creating Rough Sketches	2-5
Step 1: Creating a rough sketch	2-6
Graphics Cursors	2-6
Geometric Constraint Symbols	2-7
Step 2: Apply/modify constraints and dimensions	2-8
Dynamic Viewing Functions – <i>Zoom</i> and <i>Pan</i>	2-11
Modifying the dimensions of the sketch	2-11
Step 3: Completing the Base Solid Feature	2-12
Isometric View	2-13

Dynamic Rotation of the 3-D block - 3D Orbit	2-14
Dynamic Viewing - Quick Keys	2-16
Viewing Tools – Standard Toolbar	2-17
Display Modes	2-21
Orthographic vs. Perspective	2-21
Sketch plane – It is an XY CRT, but an XYZ World	2-22
Step 4-1: Adding an extruded feature	2-24
Step 4-2: Adding a cut feature	2-28
Save the Model	2-31
Questions	2-32
Exercises	2-33

Chapter 3

Constructive Solid Geometry Concepts

Introduction	3-2
Binary Tree	3-4
The Locator Design	3-4
Modeling Strategy - CSG Binary Tree	3-5
Starting Autodesk Inventor	3-6
<i>GRID</i> and <i>SNAP</i> intervals Setup	3-7
Base Feature	3-8
Model Dimensions Format	3-10
Modifying the dimensions of the sketch	3-10
Repositioning Dimensions	3-11
Using the Measure Tools	3-12
Completing the Base Solid Feature	3-15
Creating the next solid feature	3-16
Creating a CUT Feature	3-20
Creating a PLACED FEATURE	3-23
Creating a Rectangular Cut Feature	3-25
Questions	3-27
Exercises	3-28

Chapter 4

Model History Tree

Introduction	4-2
The <i>Saddle Bracket</i> Design	4-3
Starting Autodesk Inventor	4-3
Modeling Strategy	4-4
The <i>Autodesk Inventor Browser</i>	4-5
Creating the Base Feature	4-5
Adding the Second Solid Feature	4-8
Creating a 2D sketch	4-9

Renaming the Part Features	4-11
Adjusting the Width of the Base Feature	4-12
Adding a Placed Feature	4-13
Creating a Rectangular Cut Feature	4-15
History-based Part Modifications	4-16
A Design change	4-17
Assigning and Calculating the Associated Physical Properties	4-21
Questions	4-22
Exercises	4-23

Chapter 5

Parametric Constraints Fundamentals

CONSTRAINTS and RELATIONS	5-2
Create a Simple Triangular Plate Design	5-2
Fully Constrained Geometry	5-3
Starting Autodesk Inventor	5-3
Displaying existing constraints	5-4
Applying Geometric/Dimensional Constraints	5-6
Over-constraining and Driven Dimensions	5-10
Deleting existing constraints	5-11
Using the Auto Dimension command	5-12
Adding Additional Geometry	5-13
Constraint Settings	5-16
Parametric relations	5-17
Dimensional Values and Dimensional Variables	5-19
Parametric Equations	5-20
Viewing the Established Parameters and Relations	5-21
Saving the Model File	5-22
Using the Measure Tools	5-23
Questions	5-27
Exercises	5-28

Chapter 6

Geometric Construction Tools

Introduction	6-2
The Gasket Design	6-2
Modeling Strategy	6-3
Starting Autodesk Inventor	6-4
Creating a 2D Sketch	6-5
Editing the Sketch by Dragging the Sketched Entities	6-7
Adding Additional Constraints	6-9
Using the <i>Trim</i> and <i>Extend</i> Commands	6-10
The <i>Auto Dimension</i> command	6-12

Creating Fillets and Completing the Sketch	6-14
Fully Constrained Geometry	6-15
Profile Sketch	6-18
Redefining the Sketch and the Profile	6-19
Create an OFFSET Cut Feature	6-23
Questions	6-26
Exercises	6-27

Chapter 7

Parent/Child Relationships and the BORN Technique

Introduction	7-2
The BORN Technique	7-2
The U-Bracket Design	7-3
Starting Autodesk Inventor	7-4
Default sketch plane setting	7-4
Applying the BORN Technique	7-5
Creating the 2-D Sketch of the Base feature	7-7
Create the First Extrude Feature	7-11
The Implied Parent/Child Relationships	7-12
Creating the Second Solid Feature	7-12
Creating the First Cut feature	7-16
Creating the Second Cut feature	7-17
Examining the Parent/Child Relationships	7-19
Modify a Parent Dimension	7-20
A Design Change	7-21
Feature Suppression	7-22
A different approach to the CENTER_DRILL feature	7-23
Suppress the Rect_Cut feature	7-25
Creating a Circular Cut Feature	7-26
A Flexible Design Approach	7-28
Creating and Editing Material Properties	7-29
Using the New Material	7-31
Questions	7-32
Exercises	7-33

Chapter 8

Part Drawings and Associative Functionality

Drawings from Parts and Associative Functionality	8-2
Starting Autodesk Inventor	8-3
Drawing Mode - 2D Paper Space	8-3
Drawing Sheet Format	8-5
Using the Pre-defined Drawing Sheet Formats	8-7
Deleting, Activating, and Editing a Drawing Sheet	8-9

Adding a Base View	8-10
Creating Projected Views	8-11
Adjusting the View Scale	8-12
Repositioning Views	8-13
Displaying Feature Dimensions	8-14
Repositioning and Hiding Feature Dimensions	8-16
Adding Additional Dimensions – Reference Dimensions	8-18
Adding Center Marks and Center Lines	8-19
Completing the Drawing Sheet	8-22
Associative Functionality – Modifying Feature Dimensions	8-23
3D Annotations in Isometric Views	8-26
Questions	8-34
Exercises	8-35

Chapter 10

Symmetrical Features in Designs

Introduction	10-2
A Revolved Design: PULLEY	10-2
Modeling Strategy - A Revolved Design	10-3
Starting Autodesk Inventor	10-1
Setup the display of the Sketch Plane	10-1
Creating the 2-D Sketch for the Revolved feature	10-5
Creating the Revolved Feature	10-9
Mirroring Features	10-10
Creating A Pattern Leader Using Construction Geometry	10-12
Circular Pattern	10-17
Examining the design parameters	10-19
Drawing Mode – Defining New Border and Title Block	10-19
Creating a Drawing Template	10-22
Creating Views	10-23
Retrieve Dimensions – Features option	10-26
Associative Functionality – A Design Change	10-28
Adding Center lines to the Pattern feature	10-30
Completing the Drawing	10-31
Questions	10-34
Exercises	10-35

Chapter 13

Assembly Modeling – Putting It All Together

Introduction	13-2
Assembly Modeling Methodology	13-3
The Shaft Support Assembly	13-4
Additional <i>Parts</i>	13-4

(1) Collar	13-4
(2) Bearing	13-5
(3) Base-Plate	13-5
(4) Cap-Screw	13-6
Starting Autodesk Inventor	13-7
Placing the First Component	13-8
Placing the Second Component	13-9
Degrees of Freedom and Constraints	13-10
Assembly Constraints	13-11
Apply the First Assembly Constraint	13-13
Apply a Second Mate Assembly Constraint	13-15
Constrained Move	13-16
Apply a Flush Constraint	13-17
Placing the Third Component	13-19
Applying an Insert Constraint	13-19
Assemble the Cap-Screws	13-21
Exploded View of the Assembly	13-22
Editing the Components	13-24
Adaptive Design Approach	13-25
Delete and Re-apply Assembly Constraints	13-29
Setup a Drawing of the Assembly Model	13-31
Creating a Parts List	13-33
Editing the Parts List	13-34
Changing the Material Type	13-36
Completing the Assembly Drawing	13-38
Bill of Materials	13-39
(a) BOM from Parts List	13-39
(b) BOM from Assembly Model	13-40
Questions	13-42
Exercises	13-43

AutoCAD 2010

Introduction

Getting Started

Introduction	Intro-2
Development of Computer Aided Design	Intro-2
Why use AutoCAD® 2010	Intro-5
Getting started with AutoCAD® 2010	Intro-7
AutoCAD® 2010 Screen Layout	Intro-8
Menu Browser	Intro-9
Quick Access Toolbar	Intro-9
Graphics Window	Intro-9
Graphics Cursor or Crosshairs	Intro-9
Command prompt Area	Intro-9
Cursor Coordinates	Intro-10
Status Toolbar	Intro-10
Ribbon Tabs and Panels	Intro-10
Draw and Modify Toolbar Panel	Intro-10
Layers Control Toolbar Panel	Intro-11
Annotation Toolbar Panel	Intro-11
Layout/Model Toolbar	Intro-11
Viewing Toolbar	Intro-11
Workspace switching	Intro-11
Mouse Buttons	Intro-12
[Esc] – Canceling commands	Intro-12
On-Line Help	Intro-13
Leaving AutoCAD® 2010	Intro-14
Creating a CAD file folder	Intro-15

Chapter 1

AutoCAD Fundamentals

Introduction	1-2
Starting Up AutoCAD® 2010	1-2
Drawing Units display Setup	1-3
Drawing Area Setup	1-5
Using the <i>InfoCenter</i> to get more information	1-6
Drawing Lines with the <i>LINE</i> command	1-7
Visual reference	1-9
<i>GRID</i> ON	1-10
<i>SNAP</i> ON	1-11
Using the <i>ERASER</i>	1-12

Repeat the last command	1-13
The CAD Database and the User Coordinate System	1-14
Changing to the 2D UCS icon Display	1-15
Cartesian and Polar Coordinate Systems	1-16
Absolute and Relative coordinates	1-16
Defining Positions	1-17
The <i>Guide Plate</i>	1-17
Creating <i>Circles</i>	1-21
Save the CAD file	1-23
Exit AutoCAD	1-24
Review Questions	1-25
Exercises	1-26

Chapter 2

Basic Object Construction Tools

Introduction	2-2
Starting Up AutoCAD® 2010	2-3
Dynamic Input	2-3
The RockerArm Design	2-6
Activate the Startup option	2-7
Drawing Units Display Setup	2-8
<i>GRID</i> and <i>SNAP</i> intervals Setup	2-9
Drawing Area Setup	2-10
Referencing the World Coordinate System	2-11
Creating <i>Circles</i>	2-12
<i>Object Snap</i> Toolbar	2-13
Using the <i>LINE</i> command	2-14
Creating a <i>TTR circles</i>	2-16
Using the <i>TRIM</i> Command	2-18
Using the <i>Polygon</i> command	2-20
Creating a Concentric <i>Circle</i>	2-22
Using the QuickCal calculator to Measure Distance and Angle	2-23
Saving the CAD file	2-27
Exit AutoCAD	2-27
Review Questions	2-28
Exercises	2-29

Chapter 3

Geometric Construction and Editing Tools

Geometric Constructions	3-2
Starting Up AutoCAD® 2010	3-3
Geometric Construction - CAD Method	3-4
• Bisection of a Line or Arc	3-4
• Bisection of An Angle	3-7
• Transfer of An Angle	3-9

• Dividing a Given Line into A Number of Equal Parts	3-13
• Circle Through Three Points	3-15
• Line Tangent To A circle from A Given Point	3-16
• Circle of a Given Radius Tangent To Two Given Lines	3-17
The <i>Gasket</i> design	3-20
Drawing Units Display Setup	3-21
<i>GRID</i> and <i>SNAP</i> intervals Setup	3-22
Using the <i>LINE</i> command	3-23
<i>Object Snap Toolbar</i>	3-25
Using the <i>EXTEND</i> Command	3-28
Using the <i>TRIM</i> Command	3-29
Creating a <i>TTR circle</i>	3-30
Using the <i>FILLET</i> command	3-31
Converting objects into a <i>Polyline</i>	3-32
Using the <i>OFFSET</i> command	3-33
Using the Area Inquiry Tool to Measure Area and Perimeter	3-34
Using the <i>EXPLODE</i> command	3-36
Create another <i>FILLET</i>	3-36
Saving the CAD file	3-37
Exit AutoCAD	3-37
Review Questions	3-38
Exercises	3-39

Chapter 5

Orthographic Views in Multiview Drawings

Introduction	5-2
The LOCATOR Design	5-2
The <i>Locator</i> part	5-3
Starting Up AutoCAD® 2010	5-3
<i>GRID</i> and <i>SNAP</i> intervals Setup	5-4
<i>Layers</i> setup	5-5
Drawing <i>Construction Lines</i>	5-6
Using the <i>OFFSET</i> command	5-6
Set Layer <i>Object</i> as the current layer	5-8
Using the <i>Running Object Snaps</i>	5-8
Creating <i>Object lines</i>	5-10
Turn <i>OFF</i> the construction Lines	5-11
Adding more objects in the Front View	5-11
AutoCAD's AutoSnap™ and AutoTrack™ features	5-12
Adding more objects in the Top View	5-14
Drawing using the <i>Miter Line</i> method	5-18
More <i>Layers setup</i>	5-20
Top View to Side View Projection	5-21
Completing the Front View	5-23

Object Information Using the List command	5-25
Object Information Using the Properties command	5-26
Review Questions	5-27
Exercises	5-28

Chapter 6

Basic Dimensioning and Notes

Introduction	6-2
The Bracket Design	6-2
Starting Up AutoCAD® 2010	6-3
GRID and SNAP intervals Setup	6-4
Layers setup	6-5
The Bracket Design	6-6
Drawing Construction Lines	6-7
Using the <i>OFFSET</i> command	6-7
Set Layer <i>Object_Lines</i> as the <i>current layer</i>	6-8
Creating Object lines	6-8
Creating Hidden lines	6-9
Creating Center lines	6-10
Turn <i>OFF</i> the Construction Lines	6-10
Using the <i>FILLET</i> command	6-11
Saving the Completed CAD Design	6-12
Accessing the Dimensioning Commands	6-14
The <i>Dimension toolbar</i>	6-15
Using <i>Dimension Style Manager</i>	6-15
Dimensions Nomenclature and Basics	6-16
Using the <i>Center Mark</i> command	6-19
Adding <i>Linear</i> Dimensions	6-20
Adding <i>Angular</i> Dimensions	6-21
Adding <i>Radius</i> and <i>Diameter</i> Dimensions	6-22
Using the <i>SINGLE LINE TEXT</i> command	6-23
Adding Special Characters	6-24
Saving the design	6-25
A Special Note on Layers containing Dimensions	6-25
Review Questions	6-26
Exercises	6-27