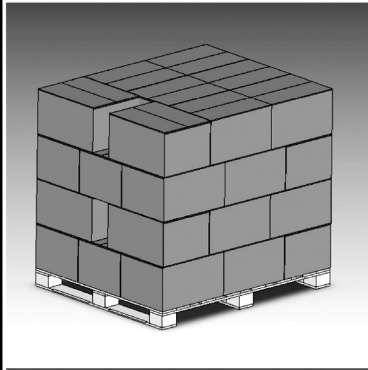
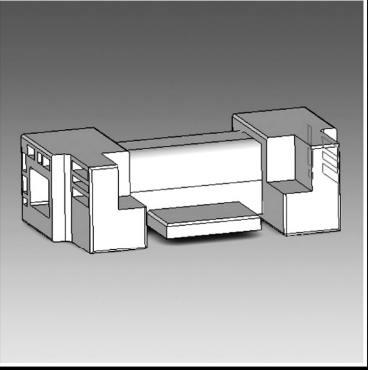
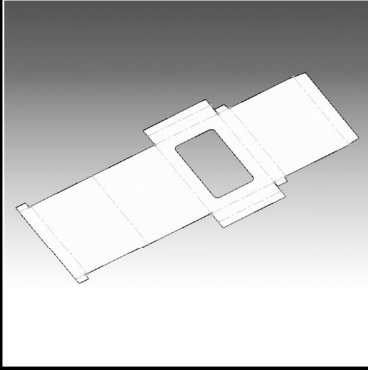
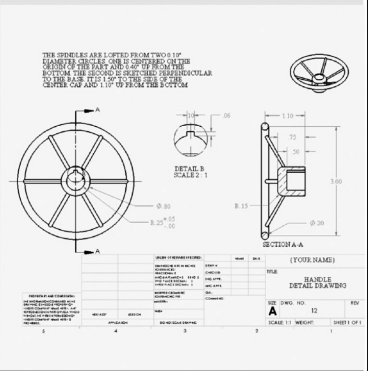
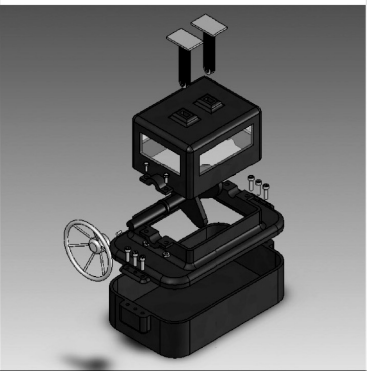
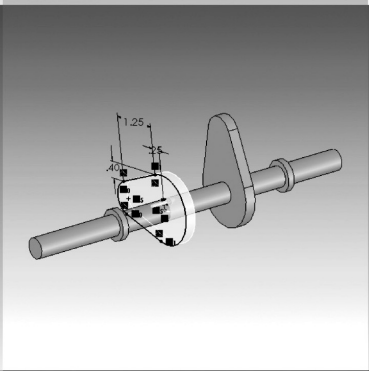
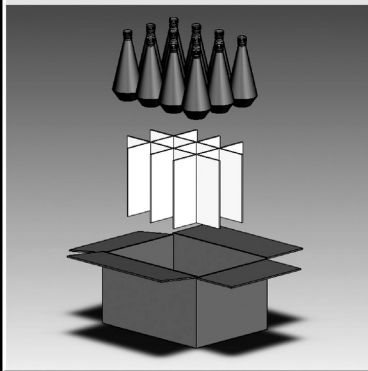
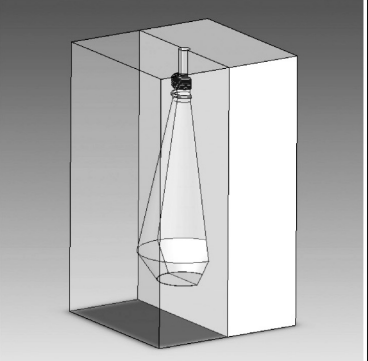
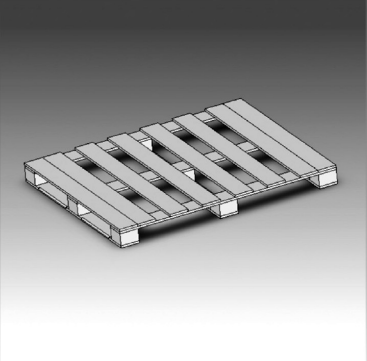
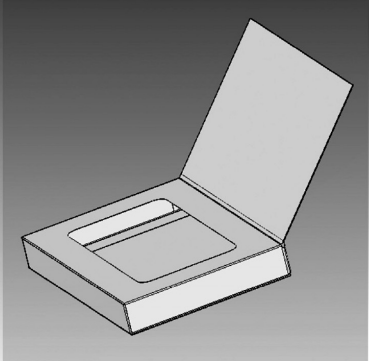


Package Structure & Mechanism Design with SolidWorks 2009



Changfeng Ge
Rochester Institute of Technology



SDC
PUBLICATIONS

Table of Contents

Introduction

1. Cushion Design for a Printer
2. Design of a Bottle and a Cap
3. Design of a Corrugated Box and a Divider
4. Design of a Pallet
5. Assembly of the Corrugated Box, the Divider and the Bottle
6. Design of an Apple Tray
7. Design of a Gift Box
8. Mold Design for the Bottle
9. Placing a Label on the Bottle
10. Design of a Cam Shaft
11. Design of a Turn Handle
12. Detail Drawing for the Cam Shaft
13. Detail drawing for the Turn Handle
14. Compiled Detail Drawing of the Cam Gear Housing
15. Assembly of the Cam and Gear Housing
16. Exploded View of the Cam Gear Housing
17. Assembly Drawing of the Cam Gear Housing