

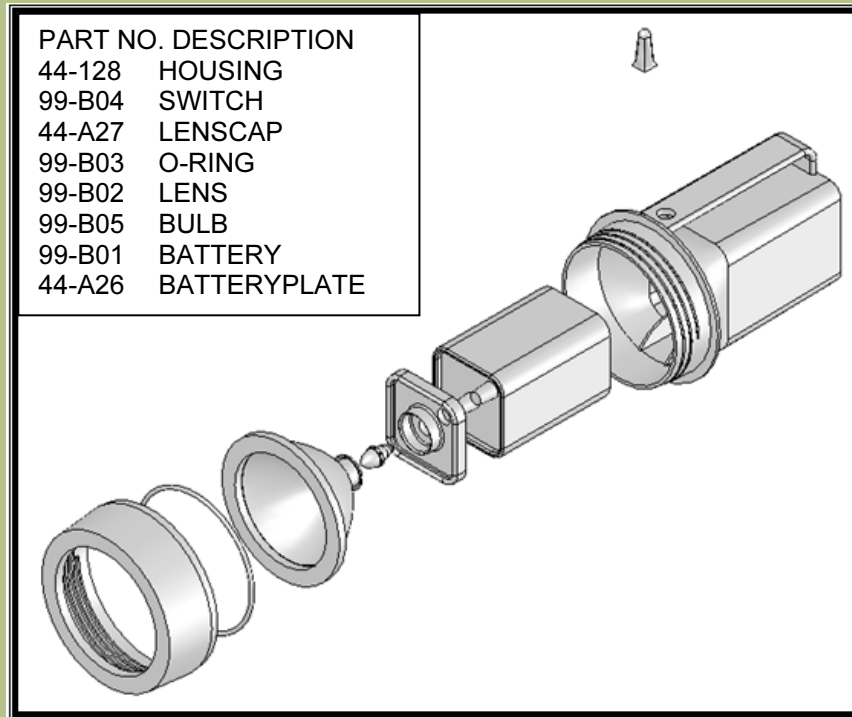
INSIDE:



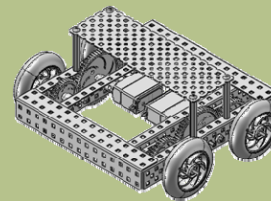
# SolidWorks 2009: The Basics with Multimedia CD

A Step-by-Step Project Based Approach

Introductory Level ♦ Tutorial Style ♦ Video Instruction



David C. Planchard & Marie P. Planchard CSWP



**SDC**

PUBLICATIONS

Schroff Development Corporation  
[www.schroff.com](http://www.schroff.com)

Better Textbooks. Lower Prices



## TABLE OF CONTENTS

<b>Introduction</b>	<b>I-1</b>
About the Cover	I-2
About the Authors	I-3
Dedication	I-4
Contact the Authors	I-4
Note to Instructors	I-4
Trademarks, Disclaimers, and Copyrighted Material	I-4
References	I-5
Table of Contents	I-6
What is SolidWorks?	I-11
Design Intent	I-13
Design Intent in the Sketch	I-13
Design Intent in the Feature	I-14
Design Intent in the Part	I-14
Design Intent in the Assembly	I-14
Design Intent in the Drawing	I-15
Overview of Projects	I-15
Project 1: Extruded Boss/Base Features	I-18
Project 2: Revolved Boss/Base Features	I-18
Project 3: Swept Boss/Base and Loft Boss/Base Features	I-18
Project 4: Assembly Fundamentals: Bottom-up method	I-18
Project 5: Drawing Fundamentals	I-19
Project 6: Introduction to the CSWA exam	I-19
Project 7: Additional PDF Section description	I-19
About the Book	I-20
Windows Terminology in SolidWorks	I-21
<b>Project 1-Introduction to Part Modeling</b>	<b>1-1</b>
Project Overview	1-3
File Management	1-4
Start a SolidWorks session	1-5
SolidWorks UI and CommandManager	1-6
Menu bar toolbar	1-6
Menu bar menu	1-6
Drop-down menu	1-7
Right-click Context toolbar	1-7
Fly-out tool buttons / Consolidated menu	1-7
System feedback icons	1-7
Confirmation Corner	1-8
Heads-up View toolbar	1-8
CommandManager	1-10
FeatureManager Design Tree	1-11
Fly-out FeatureManager	1-13
Task Pane	1-14
SolidWorks Resources	1-14
Design Library	1-14
File Explorer	1-15

Search	1-15
View Palette	1-15
Appearances/Scenes	1-16
Custom Properties	1-16
Document Recover	1-16
Motion Study tab	1-16
Create a New Part	1-17
Heads-up View toolbar	1-20
SolidWorks Help	1-20
Part Template	1-22
PART-IN-ANSI	1-22
PART-MM-ISO	1-23
BATTERY Part	1-27
BATTERY Part-Extruded Base Feature	1-29
BATTERY Part-Fillet Feature	1-33
BATTERY Part-Extruded Cut Feature	1-35
BATTERY Part-Second Fillet Feature	1-37
BATTERY Part Extruded Boss Feature	1-38
BATTERYPLATE Part	1-44
Save As, Delete, Modify, and Edit Feature	1-45
BATTERYPLATE Part-Extruded Boss Feature	1-45
BATTERYPLATE Part-Fillet Features: Full Round, Multiple Radius Options	1-48
Multi-body Parts and Extruded Boss Feature	1-52
Project Summary	1-53
Project Terminology	1-54
Questions	1-57
Exercises	1-59
<b>Project 2-Revolved Features</b>	<b>2-1</b>
Project Overview	2-3
LENS Part	2-4
LENS Part Revolved Base Feature	2-7
LENS Part-Shell Feature	2-8
LENS Part-Extruded Boss Feature and Convert Entities Sketch tool	2-9
LENS Part-Extruded Boss Feature	2-9
LENS Part-Hole Wizard Feature	2-10
LENS Part-Revolved Boss Thin Feature	2-12
LENS Part-Extruded Boss Feature and Offset Entities	2-15
LENS Part-Extruded Boss Feature and Transparent Optical Property	2-17
LENS Part-Transparent Optical Property	2-17
BULB Part	2-19
BULB Part-Revolved Base Feature	2-20
BULB Part-Revolved Boss Feature and Spline Sketch tool	2-22
BULB Part-Revolved Cut Thin Feature	2-24
BULB Part-Dome Feature	2-26
BULB Part-Circular Pattern Feature	2-27
BULB Part-Seed Cut Feature	2-29
BULB Part-Extruded Cut Feature	2-29
BULB Part-Circular Pattern Feature	2-30

Customizing Toolbars and Short Cut Keys	2-31
Project Summary	2-33
Project Terminology	2-33
Questions	2-35
Exercises	2-36
<b>Project 3-Swept, Loft, and Additional Features</b>	<b>3-1</b>
Project Overview	3-3
O-RING Part	3-4
O-RING Part-Swept Base Feature	3-4
SWITCH Part	3-7
SWITCH Part-Loft Base Feature	3-8
SWITCH Part-Shape Feature	3-12
Four Major Categories of Solid Features	3-14
LENSCAP Part	3-15
LENSCAP Part-Extruded Base Feature	3-16
LENSCAP Part-Extruded Cut Feature	3-16
LENSCAP Part-Shell Feature	3-16
LENSCAP Part-Revolved Cut Thin Feature	3-19
LENSCAP Part-Thread Path Feature	3-20
LENSCAP Part-Helix/Spiral Curve Feature	3-20
LENSCAP Part-Swept Boss Feature	3-20
HOUSING Part	3-26
HOUSING Part-Extruded Base Feature	3-27
HOUSING Part-Loft Boss Feature	3-29
HOUSING Part-First Extruded Boss Feature	3-33
HOUSING Part-Shell Feature	3-34
HOUSING Part-Second Extruded Boss Feature	3-35
HOUSING Part-Draft Feature	3-36
HOUSING Part-Thread Feature	3-37
HOUSING Part-Swept Boss Feature	3-37
HOUSING Part-Handle Swept Boss Feature	3-41
HOUSING Part-Extruded Cut Feature with UpToSurface Option	3-48
HOUSING Part-First Rib Feature	3-50
HOUSING Part-Linear Pattern Feature	3-50
HOUSING Part-Second Rib Feature	3-53
HOUSING Part-Mirror Feature	3-57
Project Summary	3-59
Project Terminology	3-59
Questions	3-61
Exercises	3-62
<b>Project 4-Assembly Modeling</b>	<b>4-1</b>
Project Overview	4-3
Assembly Modeling Overview	4-4
FLASHLIGHT Assembly	4-6
Assembly Techniques	4-7
Assembly Template	4-8
Assembly Templates-ASM-IN-ANSI	4-8
Assembly Templates-ASM-MM-ISO	4-9
LENSANDBULB Sub-assembly	4-9

BATTERYANDPLATE Sub-assembly	4-13
CAPANDLENS Sub-assembly	4-15
FLASHLIGHT Assembly	4-19
FLASHLIGHT Assembly-Interference Issues	4-25
FLASHLIGHT Assembly-Exploded View	4-26
FLASHLIGH Assembly-Export Files and eDrawings	4-29
Project Summary	4-32
Project Terminology	4-32
Questions	4-34
Exercises	4-36
<b>Project 5-Fundamentals of Drawing</b>	<b>5-1</b>
Project Overview	5-3
New Drawing and the Drawing Template	5-4
Title Block	5-7
Company Logo and Save Sheet Format	5-11
BATTERY Drawing	5-15
BATTERY Drawing-Insert a View	5-16
BATTERY Drawing-Detail View	5-19
BATTERY Drawing-View Display	5-20
BATTERY Drawing-Insert Model Items and Move Dimensions	5-21
BATTERY Drawing-Insert a Note	5-23
New Assembly Drawing and Exploded View	5-25
FLASHLIGHT Drawing-Bill of Materials	5-27
FLASHLIGHT Drawing-Balloons	5-29
Part Numbers	5-29
FLASHLIGHT Drawing-ConfigurationManager	5-30
FLASHLIGHT Drawing-Update the Bill of Materials	5-30
O-RING Part-Design Table	5-32
O-RING Drawing	5-34
O-RING Drawing-Design Table	5-35
Project Summary	5-36
Project Terminology	5-36
Questions	5-38
Exercises	5-39
<b>Project 6 – Introduction to the Certified SolidWorks Associate Exam</b>	<b>6-1</b>
Project Objective	6-3
Introduction	6-3
Intended Audience	6-3
CSWA Exam Content	6-5
Why the CSWA exam?	6-8
Obtain the CSWA Certification	6-9
Prepare to pass the CSWA exam	6-9
How does an institution become a CSWA Provider	6-9
Exam day	6-10
What do I get when I pass the exam?	6-10
Basic Theory and Drawing Theory	6-13
Sample questions	6-13
Part Modeling	6-18
Sample questions	6-18


Advanced Part Modeling	6-25
Sample questions	6-25
Assembly Modeling	6-31
Sample questions	6-32
Advanced Modeling Theory and Analysis	6-36
Sample questions	6-37
Definition review	6-40

**Project 7 - Additional .pdf and Model Information 7-1**

**Appendix**

ECO Form	A-1
Types of Decimal Dimensions (ASME Y14.5M)	A-2
SolidWorks Keyboard Shortcuts	A-3
Windows Shortcuts	A-3
Helpful On-Line information	A-4

**Index**

 Supplemental information in pdf format with SolidWorks models is provided on a CO<sub>2</sub> Car Design, example: *F1 in Schools™ Design Project*, and the *Vex Robotics Design System* used in contests around the world on the enclosed CD.

