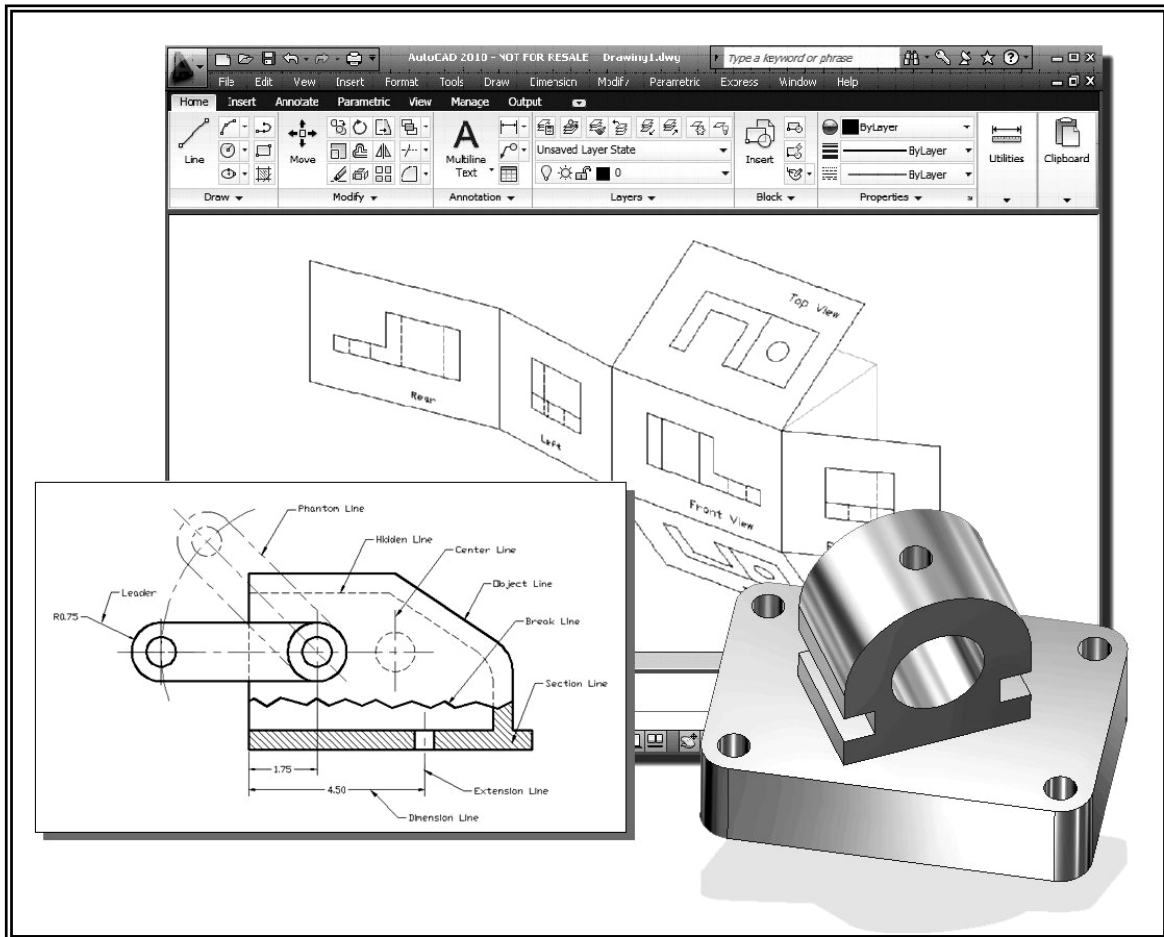


Principles and Practice

An Integrated Approach to Engineering Graphics and AutoCAD 2010



Randy H. Shih
Oregon Institute of Technology

SDC
PUBLICATIONS

Schroff Development Corporation
www.schroff.com

Better Textbooks. Lower Prices.

Autodesk Certification Program
These tutorials prepare
students for the
AutoCAD 2010
Certified Associate
Examination.

Table of Contents

Preface	i
Acknowledgments	ii
Table of Contents	iii
AutoCAD Certified Associate Examination Reference Guide	xiii
Tips about Taking the AutoCAD Certified Associate Examination	xx

Chapter 1

Introduction and AutoCAD Fundamentals

Introduction	1-3
Drawing in CAD systems	1-5
Development of Computer Aided Design	1-5
Why Use AutoCAD® 2010	1-8
Getting started with AutoCAD® 2010	1-10
AutoCAD® 2010 Screen Layout	1-11
Menu Browser	1-12
Quick Access Toolbar	1-12
Graphics Window	1-12
Graphics Cursor or Crosshairs	1-12
Command Prompt Area	1-12
Cursor Coordinates	1-13
Status Toolbar	1-13
Ribbon Tabs and Panels	1-13
Draw Toolbar and Modify Toolbar	1-13
Layers Control Toolbar Panel	1-14
Annotation Toolbar Panel	1-14
Layout/Model Toolbar	1-14
Viewing Toolbar	1-14
Workspace Switching	1-14
Mouse Buttons	1-15
[Esc] - Canceling Commands	1-15
On-Line Help	1-16
Leaving AutoCAD® 2010	1-17
Creating a CAD File Folder	1-18
Drawing in AutoCAD	1-19
Starting Up AutoCAD® 2010	1-19
Drawing Units display Setup	1-20
Drawing Area Setup	1-22
Using the <i>InfoCenter</i> to Get More Information	1-23
Using the <i>LINE</i> Command	1-24
Visual Reference	1-26
<i>GRID</i> ON	1-27

<i>SNAP ON</i>	1-28
Using the <i>ERASER</i>	1-29
Repeat the Last Command	1-30
The CAD Database and the User Coordinate System	1-31
Changing to the 2D UCS Icon Display	1-32
Cartesian and Polar Coordinate Systems	1-33
Absolute and Relative Coordinates	1-33
Defining Positions	1-34
The <i>Guide Plate</i>	1-34
Creating <i>Circles</i>	1-38
Save the CAD File	1-40
Exit AutoCAD	1-41
Questions	1-42
Exercises	1-43

Chapter 2

Geometric Constructions

Geometric Constructions	2-3
Geometric Constructions - Classical Methods	2-4
• Bisection of a Line or Arc	2-4
• Bisection of an Angle	2-5
• Transfer of an Angle	2-6
• Dividing a Given Line into a Number of Equal Parts	2-7
• Circle through Three Points	2-8
• Line Tangent to a circle from a Given Point	2-9
• Circle of a Given Radius Tangent to Two Given Lines	2-10
• Circle of a Given Radius Tangent to an Arc and a Line	2-11
• Circle of a Given Radius Tangent to Two Arcs	2-12
Starting Up AutoCAD® 2010	2-13
Dynamic Input	2-13
Object Snap Toolbar	2-17
Geometric Construction - Computer Method	2-18
• Bisection of a Line or Arc	2-18
• Bisection of an Angle	2-21
• Transfer of an Angle	2-23
• Dividing a Given Line into a Number of Equal Parts	2-27
• Circle through Three Points	2-29
• Line Tangent to a circle from a Given Point	2-30
• Circle of a Given Radius Tangent to Two Given Lines	2-31
• Circle of a Given Radius Tangent to an Arc and a Line	2-33
• Circle of a Given Radius Tangent to Two Arcs	2-33
The <i>RockerArm</i> Design	2-34
Activate the Startup Option	2-34
Drawing Units Display Setup	2-36

<i>GRID</i> and <i>SNAP</i> Intervals Setup	2-36
Drawing Area Setup	2-37
Referencing the World Coordinate System	2-38
Creating <i>Circles</i>	2-39
<i>Object Snap</i> Toolbar	2-40
Using the <i>LINE</i> Command	2-41
Creating a <i>TTR Circles</i>	2-43
Using the <i>TRIM</i> Command	2-45
Using the <i>Polygon</i> Command	2-47
Creating a Concentric <i>Circle</i>	2-49
Using the QuickCal Calculator to Measure Distance and Angle	2-50
Saving the CAD File	2-54
Exit AutoCAD	2-54
Questions	2-55
Exercises	2-56

Chapter 3

AutoCAD Layer controls and Object Organization

Introduction	3-3
The <i>Floor Plan</i> Design	3-3
Starting Up AutoCAD® 2010	3-4
Using the Setup Wizard	3-4
Drawing Units Setup	3-5
Reference Drawing Area Setup	3-5
<i>GRID</i> and <i>SNAP</i> Intervals Setup	3-6
Using the <i>ZOOM ALL</i> Command	3-7
The AutoCAD <i>MULTILINE</i> Command	3-7
Drawing <i>Multilines</i>	3-10
Creating Interior Walls	3-12
Joining the Walls Using <i>MULTILINE EDIT</i>	3-16
Using <i>Layers</i> and Object Properties	3-18
Using <i>ZOOM REALTIME</i>	3-21
Modeling the Bathroom	3-22
Controlling <i>Layer Visibility</i>	3-24
Adding a New Layer	3-24
Moving Objects to a Different Layer	3-25
Questions	3-27
Exercises	3-28

Chapter 4**Orthographic Projections and Multiview Constructions**

Introduction	4-3
Basic Principles of Projection	4-4
Orthographic Projection	4-4
Multiview Orthographic Projection	4-5
FIRST-ANGLE PROJECTION	4-6
Rotation of the Horizontal and Profile Planes	4-7
Getting the 3D Adjuster Model through the Internet	4-8
Dynamic Rotation – 3D Orbit	4-9
Third-Angle Projection	4-10
Rotation of the Horizontal and Profile Planes	4-11
Examining the 3 rd Angle Projection	4-12
The Glass Box and the Six Principal Views	4-13
Examining the Glass Box Model	4-15
Alphabet of Lines	4-16
Precedence of Lines	4-18
The LOCATOR Design	4-19
Starting Up AutoCAD [®] 2010	4-19
<i>GRID</i> and <i>SNAP</i> Intervals Setup	4-20
<i>Layers</i> setup	4-21
Drawing <i>Construction Lines</i>	4-22
Using the <i>OFFSET</i> Command	4-22
Set Layer <i>Object</i> as the Current Layer	4-24
Using the <i>Running Object Snaps</i>	4-24
Creating <i>Object Lines</i>	4-26
Turn <i>OFF</i> the Construction Lines	4-27
Adding More Objects in the Front View	4-27
AutoCAD's AutoSnap [™] and AutoTrack [™] features	4-28
Adding More Objects in the Top View	4-30
Drawing using the <i>Miter Line</i> Method	4-34
More <i>Layers Setup</i>	4-36
Top View to Side View Projection	4-37
Completing the Front View	4-39
Object Information Using the List Command	4-41
Object Information Using the Properties Command	4-42
Questions	4-43
Exercises	4-44

Chapter 5**Pictorials and Sketching**

Engineering Drawings, Pictorials and Sketching	5-2
Isometric Sketching	5-7
Isometric Sketching Exercises	5-9
Oblique Sketching	5-10
Oblique Sketching Exercises	5-11
Perspective Sketching	5-12
One-point Perspective	5-13
Two-point Perspective	5-14
Perspective Sketching Exercises	5-15
Questions	5-16
Exercises	5-17

Chapter 6**Dimensioning and Notes**

Introduction	6-3
Dimensioning Standards and Basic Terminology	6-4
Selection and Placement of Dimensions and Notes	6-5
Baseline and Chain Dimensioning	6-10
Dimensioning Tools in AutoCAD	6-11
The Bracket Design	6-11
Starting Up AutoCAD® 2010	6-12
Change the Background Color of the Graphics Window	6-13
GRID and SNAP Intervals Setup	6-14
Layers Setup	6-14
The Bracket Design	6-15
Drawing Construction Lines	6-16
Using the <i>OFFSET</i> Command	6-16
Set Layer <i>Object Lines</i> as the <i>Current Layer</i>	6-18
Creating Object Lines	6-18
Creating Hidden Lines	6-19
Creating Center Lines	6-20
Turn <i>OFF</i> the Construction Lines	6-20
Using the <i>FILLET</i> Command	6-21
Saving the Completed CAD Design	6-22
Accessing the Dimensioning Commands	6-23
The <i>Dimension Toolbar</i>	6-24
Using <i>Dimension Style Manager</i>	6-24
Dimensions Nomenclature and Basics	6-25
Using the <i>Center Mark</i> Command	6-28
Adding <i>Linear</i> Dimensions	6-29
Adding <i>Angular</i> Dimensions	6-30
Adding <i>Radius</i> and <i>Diameter</i> Dimensions	6-31

Changing the Displayed Precision on One Dimension	6-32
Using the <i>SINGLE LINE TEXT</i> Command	6-32
Adding Special Characters	6-33
Saving the Design	6-34
A Special Note on Layers Containing Dimensions	6-34
Questions	6-35
Exercises	6-36

Chapter 7

Tolerancing and Fits

Precision and Tolerance	7-2
Methods of Specifying Tolerances – English System	7-3
Nomenclature	7-4
Example 7.1	7-5
Fits between Mating parts	7-6
Selective Assembly	7-7
Basic Hole and Basic Shaft Systems	7-7
American National Standard Limits and Fits – Inches	7-8
Example 7.2 Basic Hole System	7-13
Example 7.3 Basic Hole System	7-14
Example 7.4 Basic Shaft System	7-15
Example 7.5 Basic Shaft System	7-16
Tolerancing – Metric System	7-17
Metric Tolerances and Fits Designation	7-18
Preferred ISO Metric Fits	7-19
Example 7.6 Metric Hole Basis System	7-20
Example 7.7 Shaft Basis System	7-21
Starting Up AutoCAD 2010 and Open a Drawing	7-22
The <i>Dimension Style Manager</i>	7-22
Tolerances Settings in the <i>Dimension Style Manager</i>	7-23
Determining the Tolerances Required	7-24
Questions	7-28
Exercises	7-29

Chapter 8

Symmetrical Features in designs

Introduction	8-3
The Geneva Cam Design	8-3
Starting Up AutoCAD [®] 2010	8-4
Setting Up the <i>Plot Style Mode</i>	8-5
Starting a New File	8-6
<i>GRID</i> and <i>SNAP</i> Intervals Setup	8-7
<i>Layers</i> Setup	8-9

Adding Borders and Title Block in the Layout	8-10
Create a <i>Template File</i>	8-13
Exit AutoCAD® 2010	8-14
Starting Up AutoCAD® 2010	8-14
The <i>Geneva Cam</i> Drawing	8-15
Drawing Construction Lines	8-16
Creating Object Lines	8-17
Using the <i>OFFSET</i> Command	8-18
Using the <i>MIRROR</i> Command	8-20
Using the <i>ARRAY</i> Command	8-21
Creating a <i>Viewport</i> Inside the Title Block	8-23
<i>Viewport</i> Properties	8-24
Hide the <i>Viewport borders</i>	8-25
Adjusting the Dimension Scale	8-25
<i>Plot/Print</i> the Drawing	8-27
Questions	8-29
Exercises	8-30

Chapter 9

Auxiliary Views

Introduction	9-3
Normal View of an Inclined Surface	9-4
Construction Method I – Folding Line Method	9-6
Construction Method II – Reference Plane Method	9-8
Partial Views	9-10
Creating Auxiliary Views in AutoCAD	9-11
The <i>V-Block</i> Design	9-11
Starting Up AutoCAD® 2010	9-12
Using the AutoCAD Classic Workspace	9-13
Setting Up the Principal Views	9-14
Setting Up the <i>Top View</i>	9-17
Using the <i>OFFSET</i> Command	9-18
Creating Object Lines in the <i>Front View</i>	9-20
Setting the <i>POLAR TRACKING</i> Option	9-21
Setting Up the <i>Auxiliary View</i>	9-24
Aligning the <i>Auxiliary View</i> to the <i>Front View</i>	9-25
Creating the V-cut in the <i>Auxiliary View</i>	9-25
Creating the V-cut in the <i>Front-View</i> and <i>Top-View</i>	9-28
Setting the <i>Polar Tracking</i> Option	9-30
Completing the <i>Top-View</i>	9-30
Edit the Plot Style Table	9-34
Using the Area Inquiry Tool to Measure Area and Perimeter	9-36
Questions	9-40
Exercises	9-41

Chapter 10**Section Views**

Introduction	10-3
General rules of Section Views	10-5
Section Drawing Types	10-6
• Full Section	10-6
• Half Section	10-6
• Offset Section	10-7
• Broken-Out Section	10-7
• Aligned Section	10-8
• Half Views	10-8
• Thin Sections	10-8
• Revolved Section	10-9
• Conventional Breaks	10-10
• Ribs and Webs in Sections	10-10
• Parts Not Sectioned	10-10
Section Views in AutoCAD	10-11
The <i>Bearing</i> Design	10-11
Starting Up AutoCAD® 2010	10-12
The <i>Bearing</i> Example	10-13
Setting up the <i>Principal Views</i>	10-13
Creating Object Lines in the <i>Front View</i>	10-15
Editing the Circles	10-17
Setting Up the <i>Side View</i>	10-18
Adding Hidden Lines in the <i>Side view</i>	10-20
Changing the <i>Line Type Scale</i> Property	10-22
Stretching and Moving Objects with <i>GRIPS</i>	10-23
Drawing a Cutting Plane Line	10-24
Converting the Side View into a Section View	10-27
Adding <i>Section Lines</i>	10-29
Questions	10-32
Exercises	10-33

Chapter 11**Threads and Fasteners**

Introduction	11-2
Screw-Thread Terminology	11-3
Thread Forms	11-5
Thread Representations	11-6
• Detailed Representation	11-7
• Schematic Representation	11-8
• Simplified Representation	11-9
Thread Specification – English Units	11-10
Unified Thread Series	11-11

Thread Fits	11-12
Thread Specification – Metric	11-12
Thread Notes Examples	11-13
Specifying Fasteners	11-14
Commonly Used Fasteners	11-15
Drawing Standard Bolts	11-17
Bolt and Screw Clearances	11-17
Questions	11-18
Exercises	11-19

Chapter 12

Working Drawings

General Engineering Design Process	12-3
Working Drawings	12-4
Detail Drawings	12-4
Assembly Drawings	12-5
Bill of Materials (BOM) and Parts List	12-5
Drawing sizes	12-6
Drawing Sheet Borders and Revisions Block	12-6
Title Blocks	12-7
Working Drawings with AutoCAD	12-8
The <i>Shaft Support</i> Subassembly	12-9
Additional parts	12-9
(1) Cap-Screw	12-9
(2) Collar	12-10
(3) Base-plate	12-10
Starting Up AutoCAD® and Loading Multiple Drawings	12-11
Using AutoCAD with the Internet	12-12
Rearrange the Displayed Windows	12-13
Defining a <i>Block</i>	12-14
Inserting a <i>Block</i>	12-16
Starting an <i>Assembly Drawing</i>	12-17
Copying and Pasting with the <i>Windows Clipboard</i>	12-18
Converting the View into a <i>Section View</i>	12-19
Adding the Bearing to the <i>Assembly Drawing</i>	12-21
Adding the Cap-screws to the <i>Assembly Drawing</i>	12-24
Creating <i>Callouts</i> with the Multileader Command	12-26
Creating a <i>Viewport</i> in the A-size Layout	12-29
<i>Viewport</i> Properties	12-30
Adding a <i>PARTS LIST</i> to the Assembly Drawing	12-31
Questions	12-37
Exercises	12-38

Appendix

- A. Running and Sliding Fits – American National Standard
- B. Preferred Metric Fits –ISO standard
- C. UNIFIED NATIONAL THREAD FORM
- D. METRIC THREAD FORM
- E. FASTENERS (INCH SERIES)
- F. METRIC FASTENERS
- G. BOLT AND SCREW CLEARANCE HOLES
- H. REFERENCES

Index