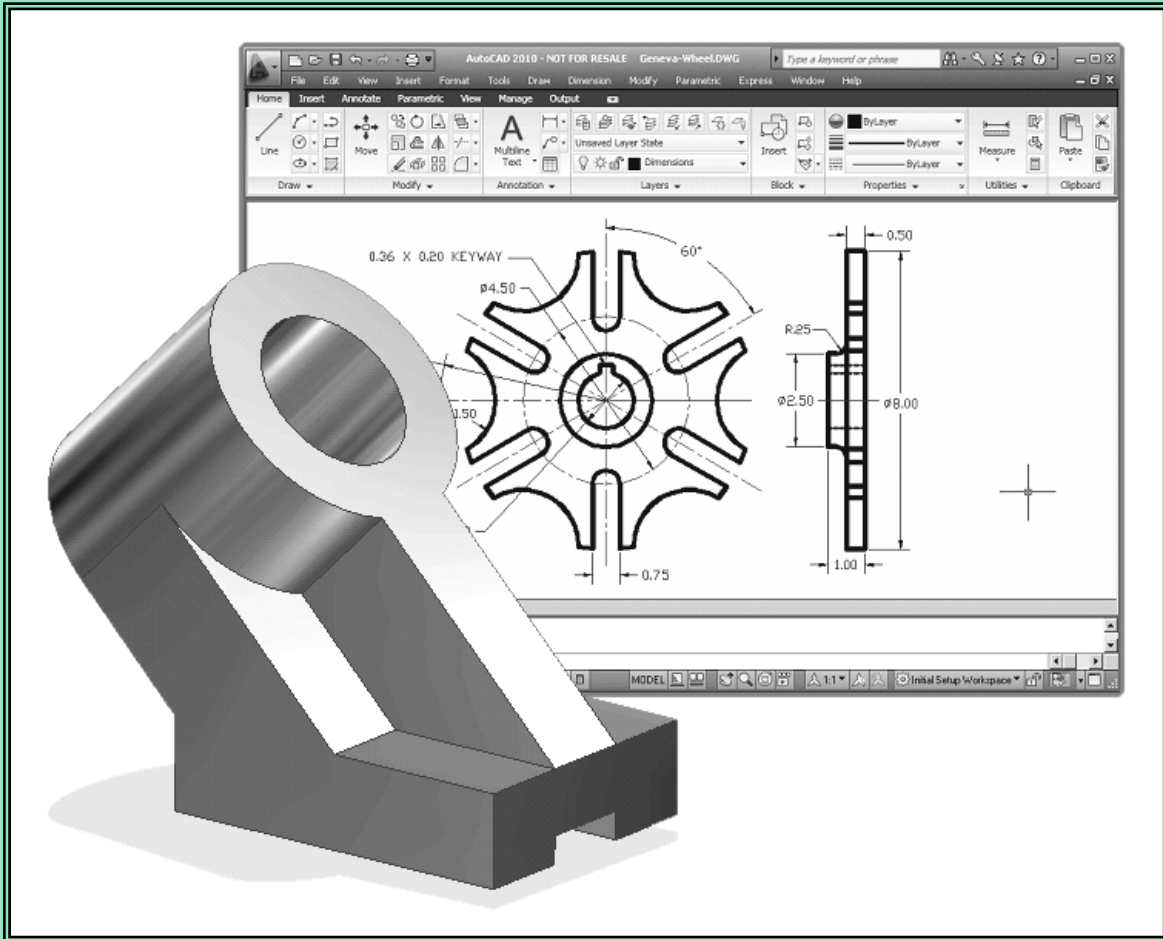


# AutoCAD® 2010 Tutorial

## First Level: 2D Fundamentals



by  
**Randy H. Shih**  
*Oregon Institute of Technology*

MULTIMEDIA CD INSIDE:



**SDC**  
PUBLICATIONS

**Schroff Development Corporation**  
[www.schroff.com](http://www.schroff.com)

**Autodesk Certification Program**  
The tutorials and DVD prepare students for the  
**AutoCAD 2010**  
**Certified Associate**  
**Examination.**

# Table of Contents

<b>Preface</b>	i
<b>Acknowledgments</b>	ii
<b>Notes on using this book to prepare for the AutoCAD Certified Associate Examination</b>	iii
<b>AutoCAD Certified Associate Examination Reference Guide</b>	iv
<b>Tips on Taking the AutoCAD Certified Associate Examination</b>	x
<b>Introduction</b>	
<b>Getting Started</b>	
Introduction	Intro-2
Development of Computer Aided Design	Intro-2
Why use AutoCAD® 2010	Intro-5
Getting started with AutoCAD® 2010	Intro-7
AutoCAD® 2010 Screen Layout	Intro-8
Menu Browser	Intro-9
Quick Access Toolbar	Intro-9
Graphics Window	Intro-9
Graphics Cursor or Crosshairs	Intro-9
Command prompt Area	Intro-9
Cursor Coordinates	Intro-10
Status Toolbar	Intro-10
Ribbon Tabs and Panels	Intro-10
Draw and Modify Toolbar Panel	Intro-10
Layers Control Toolbar Panel	Intro-11
Annotation Toolbar Panel	Intro-11
Layout/Model Toolbar	Intro-11
Viewing Toolbar	Intro-11
Workspace switching	Intro-11
Mouse Buttons	Intro-12
[Esc] - Canceling commands	Intro-12
On-Line Help	Intro-13
Leaving AutoCAD® 2010	Intro-14
Creating a CAD file folder	Intro-15
Tips about Taking the AutoCAD Certification Examination	Intro-16
<b>Chapter 1</b>	
<b>AutoCAD Fundamentals</b>	
AutoCAD Certified Associate Examination Objectives Coverage	1-2
Introduction	1-3
Starting Up AutoCAD® 2010	1-3

Drawing Units display Setup	1-4
Drawing Area Setup	1-6
Using the <i>InfoCenter</i> to get more information	1-7
Drawing Lines with the <i>LINE</i> command	1-8
Visual reference	1-10
<i>GRID</i> ON	1-11
<i>SNAP</i> ON	1-12
Using the <i>ERASER</i>	1-13
Repeat the last command	1-14
The CAD Database and the User Coordinate System	1-15
Changing to the 2D UCS icon Display	1-16
Cartesian and Polar Coordinate Systems	1-17
Absolute and Relative coordinates	1-17
Defining Positions	1-18
The <i>Guide Plate</i>	1-18
Creating <i>Circles</i>	1-22
Save the CAD file	1-24
Exit AutoCAD	1-25
Review Questions	1-26
Exercises	1-27

## Chapter 2

### Basic Object Construction Tools

AutoCAD Certified Associate Examination Objectives Coverage	2-2
Introduction	2-3
Starting Up AutoCAD® 2010	2-4
Dynamic Input	2-4
The <i>RockerArm</i> Design	2-7
Activate the Startup option	2-8
Drawing Units Display Setup	2-9
<i>GRID</i> and <i>SNAP</i> intervals Setup	2-10
Drawing Area Setup	2-11
Referencing the World Coordinate System	2-12
Creating <i>Circles</i>	2-13
<i>Object Snap</i> Toolbar	2-14
Using the <i>LINE</i> command	2-15
Creating a <i>TTR</i> circles	2-17
Using the <i>TRIM</i> Command	2-19
Using the <i>Polygon</i> command	2-21
Creating a Concentric <i>Circle</i>	2-23
Using the QuickCal calculator to Measure Distance and Angle	2-24
Saving the CAD file	2-28
Exit AutoCAD	2-28
Review Questions	2-29
Exercises	2-30

### Chapter 3

## Geometric Construction and Editing Tools

AutoCAD Certified Associate Examination Objectives Coverage	3-2
Tips on Taking the AutoCAD Certified Associate Examination	3-3
Geometric Constructions	3-4
Starting Up AutoCAD® 2010	3-5
Geometric Construction - CAD Method	3-6
• Bisection of a Line or Arc	3-6
• Bisection of An Angle	3-9
• Transfer of An Angle	3-11
• Dividing a Given Line into A Number of Equal Parts	3-15
• Circle Through Three Points	3-17
• Line Tangent To A circle from A Given Point	3-18
• Circle of a Given Radius Tangent To Two Given Lines	3-19
The <i>Gasket</i> design	3-22
Drawing Units Display Setup	3-23
<i>GRID</i> and <i>SNAP</i> intervals Setup	3-24
Using the <i>LINE</i> command	3-25
<i>Object Snap</i> Toolbar	3-27
Using the <i>EXTEND</i> Command	3-30
Using the <i>TRIM</i> Command	3-31
Creating a <i>TTR</i> circle	3-32
Using the <i>FILLET</i> command	3-33
Converting objects into a <i>Polyline</i>	3-34
Using the <i>OFFSET</i> command	3-35
Using the Area Inquiry Tool to Measure Area and Perimeter	3-36
Using the <i>EXPLODE</i> command	3-38
Create another <i>FILLET</i>	3-38
Saving the CAD file	3-39
Exit AutoCAD	3-39
Review Questions	3-40
Exercises	3-41

### Chapter 4

## Object Properties and Organization

AutoCAD Certified Associate Examination Objectives Coverage	4-2
Introduction	4-3
The <i>Floor Plan</i> Design	4-3
Starting Up AutoCAD® 2010	4-4
Using the Setup wizard	4-4
Drawing Units Setup	4-5
Reference Area Setup	4-5
<i>GRID</i> and <i>SNAP</i> intervals Setup	4-6

Using the <i>ZOOM Extent</i> command	4-7
The AutoCAD <i>MULTILINE</i> command	4-7
Drawing <i>Multilines</i>	4-10
Creating interior walls	4-12
Joining the walls using <i>MULTILINE EDIT</i>	4-16
Using <i>Layers</i> and Object Properties	4-18
Using <i>ZOOM REALTIME</i>	4-21
Modeling the Bathroom	4-22
Controlling <i>Layer Visibility</i>	4-24
Adding a New Layer	4-24
Moving objects to a different layer	4-25
Review Questions	4-27
Exercises	4-28

## Chapter 5

### Orthographic Views in Multiview Drawings

AutoCAD Certified Associate Examination Objectives Coverage	4-2
Introduction	5-2
The LOCATOR Design	5-2
The <i>Locator</i> part	5-3
Starting Up AutoCAD® 2010	5-3
<i>GRID</i> and <i>SNAP</i> intervals Setup	5-4
<i>Layers</i> setup	5-5
Drawing <i>Construction Lines</i>	5-6
Using the <i>OFFSET</i> command	5-6
Set Layer <i>Object</i> as the current layer	5-8
Using the <i>Running Object Snaps</i>	5-8
Creating <i>Object lines</i>	5-10
Turn <i>OFF</i> the construction Lines	5-11
Adding more objects in the Front View	5-11
AutoCAD's AutoSnap™ and AutoTrack™ features	5-12
Adding more objects in the Top View	5-14
Drawing using the <i>Miter Line</i> method	5-18
More <i>Layers</i> setup	5-20
Top View to Side View Projection	5-21
Completing the Front View	5-23
Object Information Using the List command	5-25
Object Information Using the Properties command	5-26
Review Questions	5-27
Exercises	5-28

## Chapter 6

### Basic Dimensioning and Notes

AutoCAD Certified Associate Examination Objectives Coverage	6-2
Introduction	6-3
The Bracket Design	6-3
Starting Up AutoCAD® 2010	6-4
GRID and SNAP intervals Setup	6-5
Layers setup	6-6
The Bracket Design	6-7
Drawing Construction Lines	6-8
Using the <i>OFFSET</i> command	6-8
Set Layer <i>Object_Lines</i> as the <i>current layer</i>	6-9
Creating Object lines	6-9
Creating Hidden lines	6-10
Creating Center lines	6-11
Turn <i>OFF</i> the Construction Lines	6-11
Using the <i>FILLET</i> command	6-12
Saving the Completed CAD Design	6-13
Accessing the Dimensioning Commands	6-15
The <i>Dimension toolbar</i>	6-16
Using <i>Dimension Style Manager</i>	6-16
Dimensions Nomenclature and Basics	6-17
Using the <i>Center Mark</i> command	6-20
Adding <i>Linear</i> Dimensions	6-21
Adding <i>Angular</i> Dimensions	6-22
Adding <i>Radius</i> and <i>Diameter</i> Dimensions	6-23
Using the <i>SINGLE LINE TEXT</i> command	6-24
Adding Special Characters	6-25
Saving the design	6-26
A Special Note on Layers containing Dimensions	6-26
Review Questions	6-27
Exercises	6-28

## Chapter 7

### Templates and Plotting

AutoCAD Certified Associate Examination Objectives Coverage	7-2
Introduction	7-3
The Geneva Cam Design	7-3
Starting Up AutoCAD® 2010	7-4
Setting up the <i>Plot Style Mode</i>	7-5
Starting a new file	7-7
<i>GRID</i> and <i>SNAP</i> intervals Setup	7-8
<i>Layers</i> setup	7-9
Adding Borders and Title Block in the Layout	7-10

Create a <i>Template file</i>	7-13
Exit AutoCAD® 2010	7-14
Starting Up AutoCAD® 2010	7-14
The <i>Geneva Cam</i> Drawing	7-15
Drawing Construction Lines	7-16
Creating Object lines	7-17
Using the <i>OFFSET</i> command	7-18
Using the <i>MIRROR</i> command	7-20
Using the <i>ARRAY</i> command	7-21
Creating a <i>Viewport</i> inside the Title Block	7-23
<i>Viewport</i> properties	7-24
Hide the <i>Viewport borders</i>	7-25
Adjusting the dimension scale	7-25
<i>Plot/Print</i> the drawing	7-27
Review Questions	7-29
Exercises	7-30

## **Chapter 8**

### **Parametric Drawing Tools**

AutoCAD Certified Associate Examination Objectives Coverage	8-2
Introduction	8-3
Starting Up AutoCAD® 2010	8-5
Layers setup	8-6
Creating Rough Sketches	8-7
Parametric drawing tools	8-9
Applying Geometric Constraints	8-10
Applying Dimensional Constraints	8-12
Additional Geometric and Dimensional Constructions	8-15
Using the <i>MIRROR</i> command	8-26
Using the <i>TRIM</i> command	8-27
Using the <i>Auto Constrain</i> command	8-29
Creating and Constraining Additional Circles	8-31
Control the Display of Constraints	8-34
Review Questions	8-35
Exercises	8-36

## **Chapter 9**

### **Auxiliary Views and Editing with GRIPS**

AutoCAD Certified Associate Examination Objectives Coverage	9-2
Introduction	9-3
The <i>V-Block</i> Design	9-3
Starting Up AutoCAD® 2010	9-4

Using the AutoCAD Classic Workspace	9-5
Setting up the Principal Views	9-6
Setting up the <i>Top View</i>	9-9
Using the <i>OFFSET</i> command	9-10
Creating Object lines in the <i>Front View</i>	9-12
Setting the <i>POLAR TRACKING</i> option	9-13
Setting up the <i>Auxiliary View</i>	9-16
Aligning the <i>Auxiliary View</i> to the <i>Front View</i>	9-17
Creating the V-cut in the <i>Auxiliary View</i>	9-17
Creating the V-cut in the <i>Front-View</i> and <i>Top-View</i>	9-20
Setting the <i>Polar Tracking</i> option	9-22
Completing the <i>Top-View</i>	9-22
Edit the Plot style table	9-26
Review Questions	9-28
Exercises	9-29

## Chapter 10

### Section Views

AutoCAD Certified Associate Examination Objectives Coverage	10-2
Introduction	10-3
The <i>Bearing</i> Design	10-3
Starting Up AutoCAD® 2010	10-4
The <i>Bearing</i> Example	10-5
Setting up the <i>Principal Views</i>	10-5
Creating Object lines in the <i>Front View</i>	10-7
Editing the circles	10-9
Setting up the <i>Side View</i>	10-10
Adding Hidden Lines in the <i>Side view</i>	10-12
Changing the <i>Line Type Scale</i> Property	10-13
Stretching and Moving Objects with <i>GRIPS</i>	10-15
Drawing a cutting plane line	10-16
Converting the Side View into a Section View	10-19
Adding <i>Section Lines</i>	10-21
Review Questions	10-24
Exercises	10-25

## Chapter 11

### Assembly Drawings and Blocks

AutoCAD Certified Associate Examination Objectives Coverage	11-2
Tips on Taking the AutoCAD Certified Associate Examination	11-3
Introduction	11-4
The <i>Shaft Support</i> Subassembly	11-5
Additional parts	11-5



(1) Cap-Screw	11-5
(2) Collar	11-6
(3) Base-plate	11-6
Starting Up AutoCAD® and Loading multiple drawings	11-7
Using AutoCAD with the Internet	11-8
Rearrange the Displayed Windows	11-9
Defining a <i>Block</i>	11-10
Inserting a <i>Block</i>	11-12
Starting the <i>Assembly drawing</i>	11-13
Copying and Pasting with the <i>Windows Clipboard</i>	11-14
Converting the View into a <i>Section View</i>	11-15
Adding the Bearing to the <i>Assembly Drawing</i>	11-17
Adding the Cap-screws to the <i>Assembly Drawing</i>	11-20
Creating <i>Callouts</i> with the Multileader command	11-22
Creating a <i>Viewport</i> in the A-size layout	11-25
<i>Viewport</i> properties	11-26
Adding a <i>PARTS LIST</i> to the assembly drawing	11-27
Review Questions	11-33
Exercise	11-34

## Index