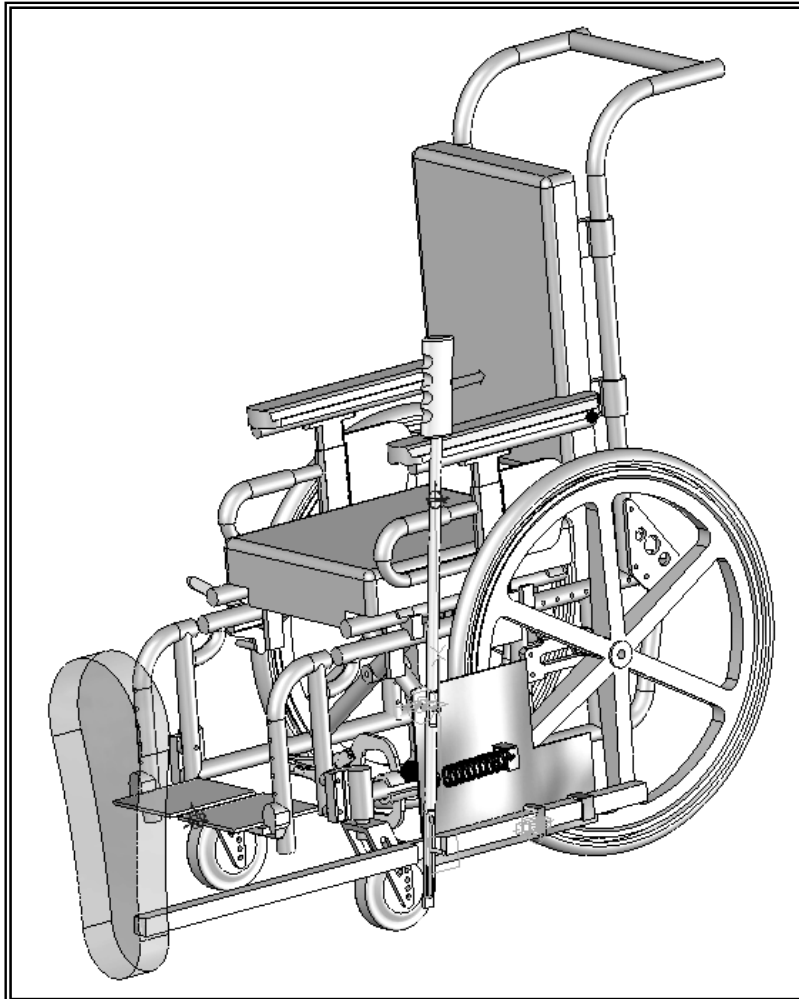


# *Motion Simulation and Mechanism Design*

*with COSMOSMotion 2007*



**Kuang-Hua Chang, Ph.D.**

School of Aerospace and Mechanical Engineering  
The University of Oklahoma

**SDC**  
PUBLICATIONS

Schroff Development Corporation  
[www.schroff.com](http://www.schroff.com)

---

Better Textbooks. Lower Prices.

## Table of Contents

Preface .....	i
Acknowledgments .....	ii
About the Author .....	iii
About the Cover Page .....	iii
Table of Contents .....	iv

### Lesson 1: Introduction to *COSMOSMotion*

1.1 Overview of the Lesson .....	1-1
1.2 What is <i>COSMOSMotion</i> ?.....	1-1
1.3 Mechanism Design and Motion Analysis.....	1-3
1.4 <i>COSMOSMotion</i> Capabilities.....	1-5
1.5 Motion Examples.....	1-16

### Lesson 2: A Ball Throwing Example

2.1 Overview of the Lesson .....	2-1
2.2 The Ball Throwing Example .....	2-1
2.3 Using <i>COSMOSMotion</i> .....	2-3
2.4 Result Verifications .....	2-12
Exercises.....	2-14

### Lesson 3: A Spring Mass System

3.1 Overview of the Lesson .....	3-1
3.2 The Spring-Mass System.....	3-1
3.3 Using <i>COSMOSMotion</i> .....	3-3
3.4 Result Verifications .....	3-10
Exercises.....	3-15

### Lesson 4: A Simple Pendulum

4.1 Overview of the Lesson .....	4-1
4.2 The Simple Pendulum Example .....	4-1
4.3 Using <i>COSMOSMotion</i> .....	4-2
4.4 Result Verifications .....	4-5
Exercises.....	4-9

**Lesson 5: A Slider-Crank Mechanism**

5.1	Overview of the Lesson .....	5-1
5.2	The Slider-Crank Example.....	5-1
5.3	Using <i>COSMOSMotion</i> .....	5-4
5.4	Result Verifications.....	5-13
	Exercises .....	5-17

**Lesson 6: A Compound Spur Gear Train**

6.1	Overview of the Lesson .....	6-1
6.2	The Gear Train Example.....	6-2
6.3	Using <i>COSMOSMotion</i> .....	6-6
	Exercises .....	6-9

**Lesson 7: Cam and Follower**

7.1	Overview of the Lesson .....	7-1
7.2	The Cam and Follower Example.....	7-1
7.3	Using <i>COSMOSMotion</i> .....	7-6
	Exercises .....	7-10

**Lesson 8: Assistive Device for Wheelchair Soccer Games**

8.1	Overview of the Lesson .....	8-1
8.2	The Assistive Device.....	8-2
8.3	Using <i>COSMOSMotion</i> .....	8-7
8.4	Result Discussion.....	8-20
8.5	Comments on <i>COSMOSMotion</i> Capabilities and Limitations.....	8-20

<b>Appendix A: Defining Joints.....</b>	<b>A-1</b>
---	------------

<b>Appendix B: The Unit Systems.....</b>	<b>B-1</b>
--	------------

<b>Appendix C: Importing <i>Pro/ENGINEER</i> Parts and Assemblies.....</b>	<b>C-1</b>
--	------------