

INSIDE:

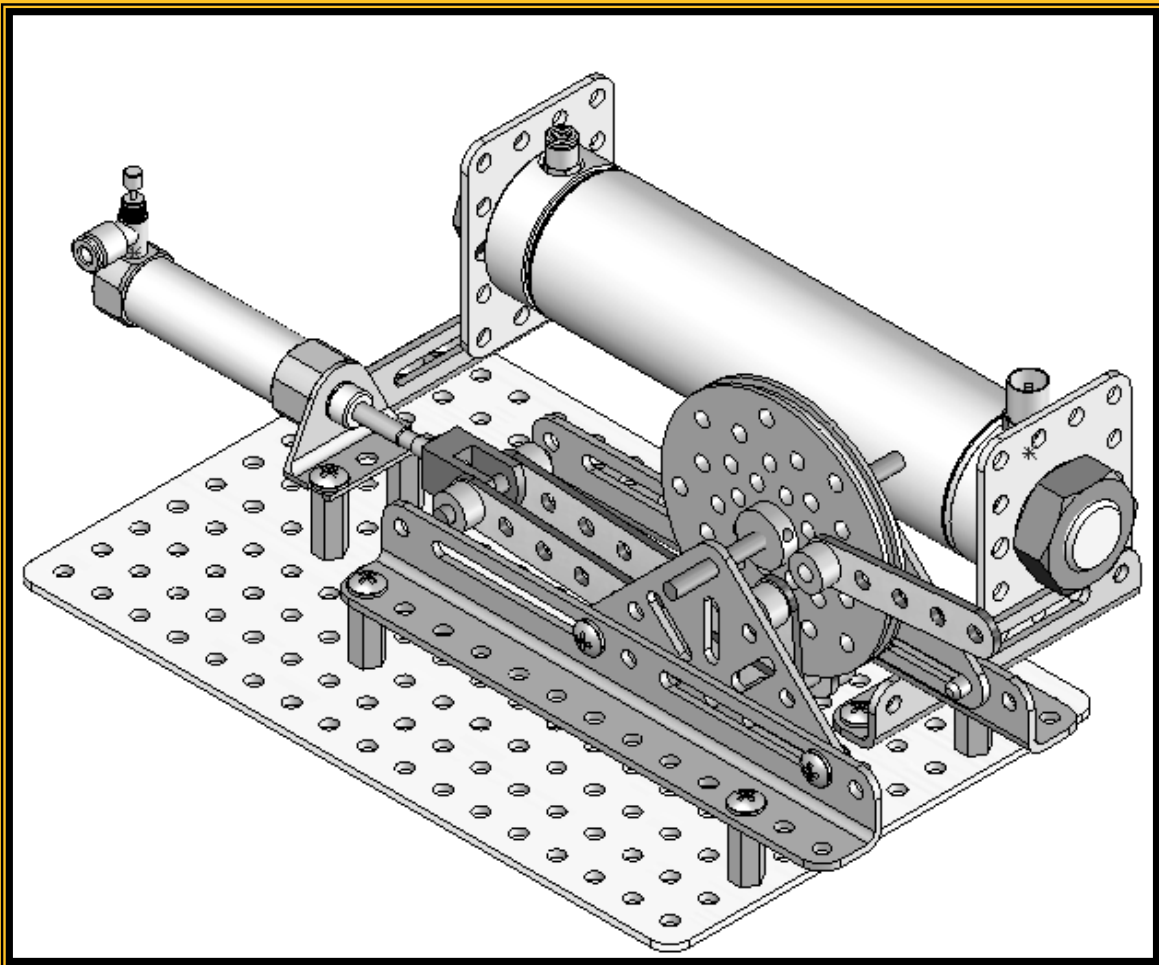


SolidWorks 2008 Tutorial

with MultiMedia CD

A Step-by-Step Project Based Approach Utilizing 3D Solid Modeling

David C. Planchard & Marie P. Planchard



SDC
PUBLICATIONS

Schroff Development Corporation

www.schroff.com
www.schroff-europe.com



Solution
Partner

TABLE OF CONTENTS

Introduction	I-1
About the Cover	I-2
About the Authors	I-2
Dedication	I-3
Contact the Authors	I-3
Note to Instructors	I-3
Trademarks, Disclaimer, and Copyrighted Material	I-4
References	I-4
Table of Contents	I-5
What is SolidWorks?	I-10
Design Intent	I-12
Overview of Projects	I-16
About the Book	I-18
Windows Terminology in SolidWorks	I-18
Project 1 – Linkage Assembly	1-1
Project Objective	1-3
Project Overview	1-4
AXLE Part	1-5
Start a SolidWorks Session	1-6
SolidWorks User Interface and CommandManager	1-7
Menu bar toolbar	1-7
Menu bar menu	1-7
Drop-down menu	1-8
Right-click Pop-up menus	1-8
Fly-out tool buttons	1-8
System feedback icons	1-8
Confirmation Corner	1-9
Heads-up View toolbar	1-9
CommandManager	1-10
CommandManager - Default Part tabs	1-11
FeatureManager Design Tree	1-12
Task Pane	1-15
Design Library	1-15
File Explorer	1-16
Search	1-16
View Palette	1-16
RealView	1-17
Document Recovery	1-17
Motion Study tab	1-17
New Part	1-18
AXLE Part	1-22
AXLE Part-Extruded Base Feature	1-23
AXLE Part-Save	1-26
AXLE Part-Edit Color	1-27
AXLE Part-View Modes	1-28

SHAFT-COLLAR Part	1-31
SHAFT-COLLAR Part-Extruded Base Feature	1-31
SHAFT-COLLAR Part-Extruded Cut Feature	1-34
SHAFT-COLLAR-Modify Dimensions and Edit Color	1-35
FLATBAR Part	1-38
FLATBAR Part-Extruded Base Feature	1-39
FLATBAR Part-Extruded Cut Feature	1-43
FLATBAR Part-Linear Pattern Feature	1-45
LINKAGE Assembly	1-46
Mate Types	1-47
Standard Mates	1-47
Advanced Mates	1-48
Mechanical Mates	1-48
AirCylinder Assembly-Open and Save As option	1-49
LINKAGE Assembly-Insert FLATBAR Part	1-53
LINKAGE Assembly-Insert SHAFT-COLLAR Part	1-57
Motion Study - Physical Simulation tool	1-60
Project Summary	1-63
Project Terminology	1-64
Project Features	1-65
Engineering Journal	1-66
Questions	1-69
Exercises	1-70
Project 2 – Front Support Assembly	2-1
Project Objective	2-3
Project Overview	2-4
Reference Planes and Orthographic Projection	2-5
HEX-STANDOFF Part	2-9
HEX-STANDOFF Part-Extruded Base Feature	2-10
HEX-STANDOFF Part-HOLE Wizard Feature	2-14
ANGLE-13HOLE Part	2-15
ANGLE-13HOLE Part-Document Properties	2-17
ANGLE-13HOLE Part-Extruded Thin Feature	2-18
ANGLE-13HOLE Part-Extruded Cut Feature	2-20
ANGLE-13HOLE Part-Linear Pattern Feature	2-22
ANGLE-13HOLE Part-Fillet Feature	2-23
ANGLE-13HOLE Part-Second Extruded Cut and Linear Pattern	2-24
ANGLE-13HOLE Part-Third Extruded Cut Feature	2-26
TRIANGLE Part	2-31
TRIANGLE Part-Mirror, Offset and Fillet Sketch Tools	2-33
TRIANGLE Part-Extruded Base Feature	2-36
TRIANGLE Part-First Extruded Cut Feature	2-37
TRIANGLE Part-Second Extruded Cut Feature	2-39
TRIANGLE Part-Mirror Feature	2-41
TRIANGLE Part-Third Extruded Cut Feature	2-42
TRIANGLE Part-Circular Pattern Feature	2-45
SCREW Part	2-46
SCREW Part-Document Properties	2-48
SCREW Part-Revolved Feature	2-48

SCREW Part-Extruded Cut Feature	2-52
SCREW Part-Circular Pattern Feature	2-54
SCREW Part-Fillet Feature	2-54
SCREW Part-Chamfer Feature	2-55
FRONT-SUPPORT Assembly	2-57
FRONT-SUPPORT Assembly-Insert ANGLE-13HOLE	2-57
FRONT-SUPPORT Assembly-Insert HEX-STANDOFF	2-59
FRONT-SUPPORT Assembly-Insert TRIANGLE	2-62
FRONT-SUPPORT Assembly-Insert SCREW	2-65
Project Summary	2-67
Project Terminology	2-68
Project Features	2-69
Engineering Journal	2-71
Questions	2-75
Exercises	2-76
Project 3 – Fundamentals of Drawing	3-1
Project Objective	3-3
Project Overview	3-4
Drawing Template and Sheet Format	3-5
Create a new Drawing	3-7
Drawing-Document Properties	3-9
Title Block	3-10
Create a Title Block	3-11
Company Logo	3-15
Create a Drawing Logo	3-15
Save Sheet Format and Save As Drawing Template	3-18
FLATBAR Drawing	3-21
FLATBAR Drawing-Open the FLATBAR Part	3-21
Move views	3-25
FLATBAR Drawing-Position views	3-27
Detail Drawing	3-28
FLATBAR Drawing-Dimensions and Annotations	3-30
FLATBAR Drawing-Part Number and Document Properties	3-35
FLATBAR Drawing-Linked Note	3-37
LINKAGE Assembly Drawing-Sheet1	3-41
LINKAGE Assembly Drawing-Exploded view	3-44
LINKAGE Assembly Drawing-Animation	3-47
LINKAGE Assembly Drawing-Bill of Materials	3-48
LINKAGE Assembly Drawing-Automatic Balloons	3-50
LINKAGE Assembly Drawing-Sheet2	3-51
LINKAGE Assembly Drawing-Sheet2 Section view	3-53
LINKAGE Assembly Drawing-Sheet2 Detail view	3-53
FLATBAR Part-Design Table	3-55
FLATBAR Drawing-Sheet2	3-59
FLATBAR-SHAFTCOLLAR Assembly	3-60
Project Summary	3-66
Project Terminology	3-67
Questions	3-70
Exercises	3-71

Project 4 Pneumatic Test Module Assembly	4-1
Project Objective	4-3
Project Overview	4-4
WEIGHT Part	4-6
WEIGHT Part-Loft Feature	4-13
WEIGHT Part-Extruded Cut Feature	4-14
HOOK Part	4-15
HOOK Part-Sweep Profile	4-21
HOOK Part-Swept Base Feature	4-22
HOOK Part-Dome Feature	4-22
HOOK Part-Threads with Swept Cut Feature	4-23
WHEEL Part	4-28
WHEEL Part-Extruded Base Feature	4-31
WHEEL Part-Revolved Cut Feature	4-32
WHEEL Part-First Extruded Cut Feature	4-35
WHEEL Part-Second Extruded Cut Feature	4-37
WHEEL Part-Circular Pattern Feature	4-40
Modify Parts	4-43
HEX-ADAPTER Part	4-43
HEX-ADAPTER Part-Extruded Boss Feature	4-46
HEX-ADAPTER Part-Extruded Cut Feature	4-46
AXLE-3000 Part	4-49
SHAFTCOLLAR-500 Part	4-50
Assembly Techniques	4-53
PNEUMATIC-TEST-MODULE Layout	4-54
FLATBAR Sub-assembly	4-56
3HOLE-SHAFTCOLLAR Assembly	4-56
WHEEL-FLATBAR Assembly	4-63
WHEEL-FLATBAR Assembly-Insert 3HOLE-SHAFT-COLLAR	4-66
WHEEL-FLATBAR Assembly-Insert 5HOLE-SHAFT-COLLAR	4-68
WHEEL-AND-AXLE Assembly	4-72
WHEEL-AND-AXLE Assembly-Insert HEX-ADAPTER	4-75
WHEEL-AND-AXLE Assembly-Insert SHAFTCOLLAR-500	4-77
PNEUMATIC-TEST-MODULE Assembly	4-77
Modify the LINKAGE Assembly	4-80
PNEUMATIC-TEST-MODULE-Insert LINKAGE Assembly	4-89
PNEUMATIC-TEST-MODULE-Insert AIR-RESERVOIR-SUPPORT	4-91
PNEUMATIC-TEST-MODULE-Component Pattern	4-93
PNEUMATIC-TEST-MODULE-Linear Component Pattern	4-95
PNEUMATIC-TEST-MODULE-Insert FRONT-SUPPORT	4-97
PNEUMATIC-TEST-MODULE-Mirrored Component	4-102
PNEUMATIC-TEST-MODULE-MIRRORFRONT-SUPPORT	4-102
Component Properties	4-103
PNEUMATIC-TEST-MODULE-Insert WHEEL-AND-AXLE	4-103
PNEUMATIC-TEST-MODULE-Remove Rigid State	4-105
PNEUMATIC-TEST-MODULE-Review AirCylinder Configurations	4-106
Project Summary	4-111
Project Terminology	4-111
Engineering Journal	4-113
Questions	4-117
Exercises	4-118

Appendix

ECO Form	A-1
Types of Decimal Dimensions (ASME Y14.5M)	A-2
SolidWorks Keyboard Shortcuts	A-3
Windows Shortcuts	A-3
CSWA Certification information	A-5
Intended audience	A-5
CSWA exam content	A-6
Why the CSWA exam?	A-10
How to obtain the CSWA Certification?	A-10
Exam day	A-11
What do I get when I pass?	A-12
Helpful On-Line information	A-13

Index