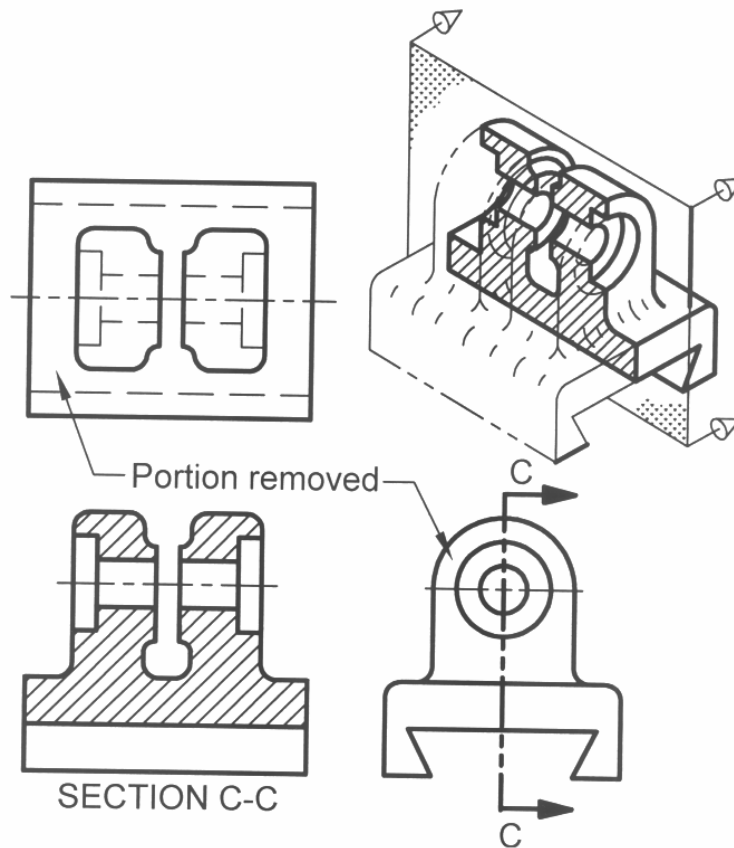


A Concise Introduction to Engineering Graphics and Supplemental Workbook

Third Edition



Timothy J. Sexton, Professor
Department of Industrial Technology
Ohio University

SDC
PUBLICATIONS

Schroff Development Corporation

www.schroff.com
www.schroff-europe.com

Table of Contents:

Chapter 1	1
<i>Sketching Techniques</i>	1
Equipment:	1
Straight Lines:	1
Sketching to Scale:	1
Sketching Arcs and Circles:	2
Drafting Materials:	3
Pencil lead:	3
Chapter 2	5
<i>Hand Lettering</i>	5
Chapter 3	7
<i>Isometric Drawing</i>	7
Why Isometric Drawing?	7
Isometric Projection Theory:	7
Constructing an Isometric Sketch:	9
Isometric Drawing vs. Isometric Projection:	10
Inclined and Oblique Surface:	10
Isometric Circles and Arcs:	12
Approximation Method:	13
Sketching an Isometric Circle:	13
Isometric Elliptical Templates:	14
Isometric Irregular Curves:	15
Chapter 4	17
<i>Multiview Drawing</i>	17
The Engine of Industry:	17
Orthographic Projection:	17
The Six Plastic Planes of Projection:	18
2-D Planes:	19
Types of Planes:	20
Normal Planes:	20
Inclined Planes:	20
Oblique Planes:	21
Single Curved Surfaces:	21
Line and Surfaces:	21
Circles vs. Ellipses:	22
3 rd Angle vs. 1 st Angle Projection:	23
Chapter 5	25
<i>Line Types</i>	25
Drawing Line Types:	25
Hierarchy of Lines:	26
Hidden Line Technique:	27
Chapter 6	29
<i>Auxiliary Views</i>	29
Visualizing a Primary Auxiliary View:	29

Table of Contents

Full vs. Partial Auxiliary Views:	30
Type of Primary Auxiliary Views:	31
Reverse Construction:	32
Successive Auxiliaries:	32
Dihedral Angles:	33
Chapter 7	35
<i>Sectional Views</i>	35
Sectional Views:	35
Cutting Plane Line:	36
Section Lining:	36
Full Sections:	38
Offset Sections:	39
Half Sections:	40
Revolved Sections:	41
Removed Sections:	42
Broken- out Sections:	43
Auxiliary Sections and Viewing Planes:	43
Aligned Sections:	43
Unsectioned Features:	45
Conventional Breaks:	46
Chapter 8	47
<i>Measurement & Scale</i>	47
Full Size Metric Measurement:	47
Full Size US Customary Units:	47
Scale:	47
Scales:	48
Civil Engineering Scale:	48
Mechanical Engineering Scales:	49
Architectural Scales:	49
Metric Scales:	50
Bar Scales:	51
Chapter 9	53
<i>Dimensioning</i>	53
Why Dimension?	53
Dimensioning Line Types, Terminology, and Symbols:	53
Special Symbols:	54
Units of Measure:	54
Dimensioning Standards:	55
Dimensioning Strategy:	55
Unidirectional vs. Aligned:	55
Dimensioning Techniques:	56
Linear Dimensions:	59
Oblique Extension Lines:	60
Angular Dimensions:	60
Holes and Cylindrical Features:	60
Arcs and Radii:	62
Spheres and Rounded Cylinder Ends:	62
Rectangular Stock with Rounded Ends:	63
Slotted Holes:	63
Location Dimensions:	63
Holes Located About a Center Point:	64

Table of Contents

Specifying Machining Operations:	64
Drilling and Reaming:	65
Counter Bore and Counter Sinks:	65
Chamfers:	66
Keyways and keyseats:	66
Necks and Undercuts:	67
Knurling:	68
Chapter 10	69
<i>General Tolerance</i>	69
Introduction:	69
What Determines the Tolerance?	69
Specifying Tolerance:	69
Mating Parts:	70
ANSI Inch Based System of Limits & Fits:	70
ISO System of Limits & Fits:	71
Metric Fit Symbols:	72
Terminology Review:	75
Chapter 11	77
<i>Geometric Dimensioning and Tolerancing (GD&T)</i>	77
Introduction:	77
Rule #1:	77
Checking the size limits envelope:	78
Standard Stock Items:	79
Datums:	79
Order of Datums:	82
Datum axis:	83
Features at RFS:	83
Compound and Coplanar Datums:	85
Chain Lines and Partial Datum Surfaces:	86
Datum Target Points:	86
Datum Target Line:	87
Datum Target Area:	88
Geometric Dimensioning and Tolerancing (GD&T):	90
Feature Control Frame:	90
Geometric Characteristic Symbols:	91
Modifiers in a feature control frame:	92
Angularity:	93
Parallelism	94
Perpendicularity	95
Straightness:	97
Straightness of surface elements:	97
Checking surface elements on a cylinder:	97
Central axis:	98
Geometric tolerance modifiers:	99
Flatness:	100
Flatness of a specific area:	101
Circularity:	101
Cylindricity:	102
Profile's basic concepts:	103
Profile of a line:	104
Floating tolerance zone:	105
Profile of a surface:	106
Spherical radius and planar surfaces:	106

Table of Contents

Conical shapes:	107
Profile all around:	107
Limits of application:	107
Positional tolerance:	108
Positional tolerance at MMC:	109
Composite positional tolerance:	109
Datums in the second line of a composite positional tolerance:	111
Virtual condition:	111
Concentricity:	112
Coaxial control using positional tolerance:	113
Symmetry:	113
Projected tolerance zone:	114
Runout:	114
Circular runout:	114
Limited application:	116
Total runout:	116
Chapter 12	119
<i>Working Drawings</i>	<i>119</i>
Assembly drawings:	120
Exploded isometric assemblies:	120
Flow lines:	121
Balloons:	122
General sheet layout:	122
Title blocks:	122
List of materials:	123
Revision Block:	124
General notes area:	124
Zone markings:	124
Chapter 13	127
<i>Threads</i>	<i>127</i>
Thread terminology:	127
Thread profiles:	128
Unified thread series:	129
Metric thread series:	129
Class of fit:	129
Right vs. left hand threads:	129
Multiple threads:	129
Thread representation:	130
Inch thread notes:	131
Metric thread notes:	132
Gage numbers in notes:	133
Miscellaneous thread notes:	133
Major diameter:	134
Forming threads:	134
Measuring threads:	135