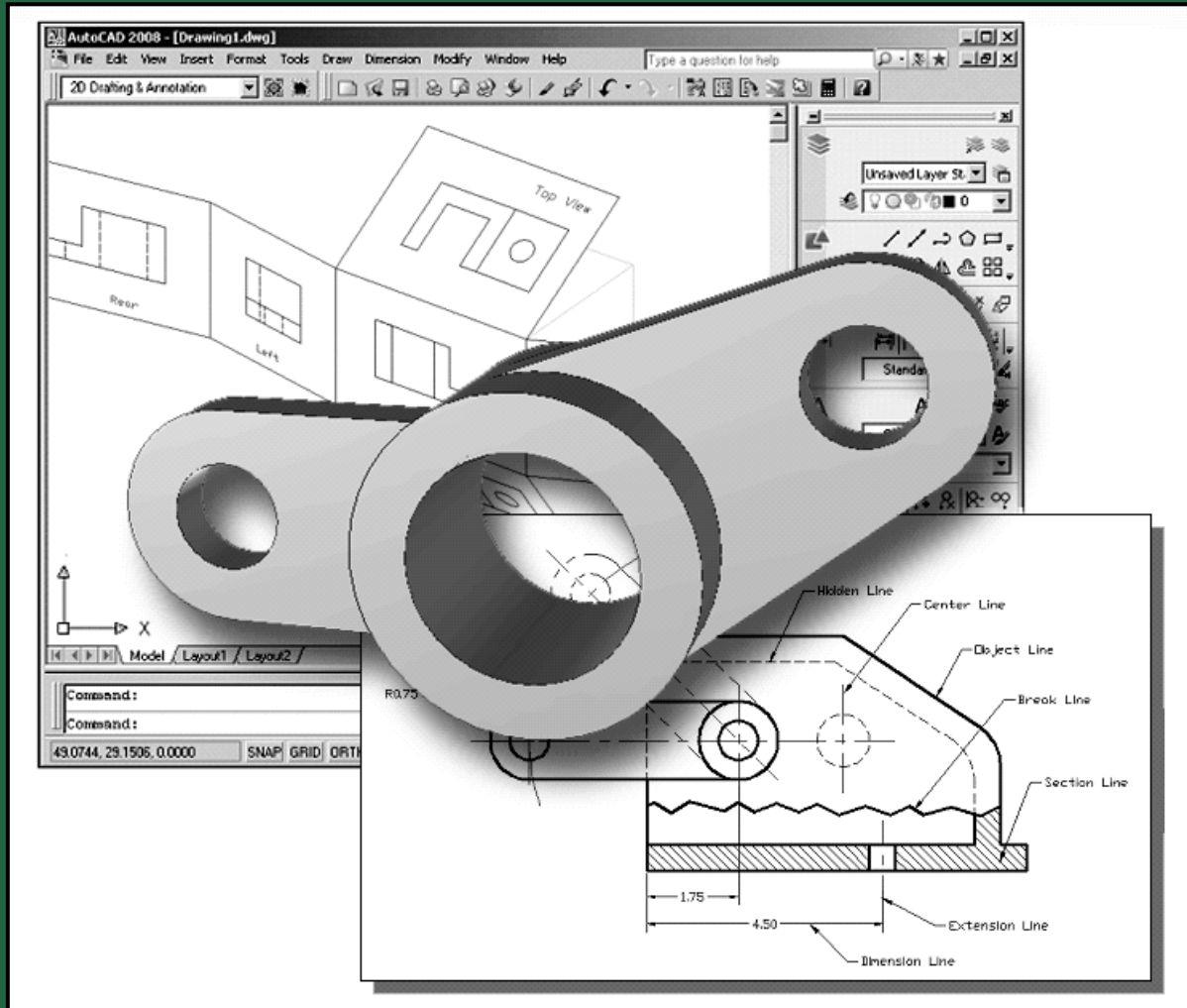


Principles and Practice:

An Integrated Approach to Engineering Graphics and AutoCAD 2008



Randy H. Shih
Oregon Institute of Technology

SDC
PUBLICATIONS

Schroff Development Corporation

www.schroff.com
www.schroff-europe.com

Table of Contents

Preface

Acknowledgments

Chapter 1

Introduction and AutoCAD Fundamentals

Introduction	1-2
Drawing in CAD systems	1-4
Development of Computer Aided Design	1-4
Why use AutoCAD® 2008	1-7
Getting started with AutoCAD® 2008	1-9
AutoCAD® 2008 Screen Layout	1-10
Pull-down Menus	1-11
Standard Toolbar	1-11
Object Properties Toolbar	1-11
Graphics Window	1-11
Graphics Cursor or Crosshairs	1-11
Command Line Area	1-11
Draw Toolbar and Modify Toolbar	1-12
Mouse Buttons	1-13
[Esc] - Canceling commands	1-13
On-Line Help	1-14
Creating a CAD file folder	1-14
Drawing in AutoCAD	1-15
Starting Up AutoCAD® 2008	1-13
Drawing Units display Setup	1-16
Drawing Area Setup	1-17
Using the <i>LINE</i> command	1-19
Visual reference	1-23
<i>GRID</i> ON	1-23
<i>DYN</i> OFF	1-24
<i>SNAP</i> ON	1-24
Using the <i>ERASER</i>	1-26
Repeat the last command	1-27
The CAD Database and the User Coordinate System	1-28
Changing to the 2D UCS icon Display	1-29
Cartesian and Polar Coordinate Systems	1-30
Absolute and Relative coordinates	1-30
Defining Positions	1-31
The <i>GUIDE PLATE</i>	1-31

Creating <i>Circles</i>	1-35
Save the CAD file	1-37
Exit AutoCAD	1-38
Questions	1-39
Exercises	1-40

Chapter 2

Geometric Constructions

Geometric Constructions	2-2
Geometric constructions – Classical Methods	2-3
• Bisection of a Line or Arc	2-3
• Bisection of an Angle	2-4
• Transfer of an Angle	2-5
• Dividing a Given Line into a Number of Equal Parts	2-6
• Circle Through Three Points	2-7
• Line Tangent to a circle from a Given Point	2-8
• Circle of a Given Radius Tangent to Two Given Lines	2-9
• Circle of a Given Radius Tangent to an Arc and a Line	2-10
• Circle of a Given Radius Tangent to Two Arcs	2-11
Starting Up AutoCAD® 2008	2-12
Dynamic input	2-12
Object Snap Toolbar	2-15
Geometric Construction – Computer Method	2-16
• Bisection of a Line or Arc	2-17
• Bisection of an Angle	2-19
• Transfer of an Angle	2-20
• Dividing a Given Line into a Number of Equal Parts	2-23
• Circle through Three Points	2-24
• Line Tangent to a circle from a Given Point	2-25
• Circle of a Given Radius Tangent to Two Given Lines	2-26
• Circle of a Given Radius Tangent to an Arc and a Line	2-28
• Circle of a Given Radius Tangent to Two Arcs	2-28
The <i>ROCKERARM</i> Design	2-29
Activate the Startup option	2-29
Drawing Units Display Setup	2-31
<i>GRID</i> and <i>SNAP</i> intervals Setup	2-32
Drawing Area Setup	2-33
Referencing the World Coordinate System	2-34
Creating <i>Circles</i>	2-35
<i>Object Snap</i> Toolbar	2-36
Using the <i>LINE</i> command	2-37
Creating a <i>TTR circles</i>	2-39

Using the <i>TRIM</i> Command	2-41
Using the <i>Polygon</i> command	2-43
Creating a Concentric <i>Circle</i>	2-45
Saving the CAD file	2-46
Exit AutoCAD	2-46
Questions	2-47
Exercises	2-48

Chapter 3

AutoCAD Layer controls and Object Organization

Introduction	3-2
The <i>FLOOR PLAN</i> Design	3-2
Starting Up AutoCAD® 2008	3-3
Using the Setup Wizard	3-3
Drawing Units Setup	3-4
Reference Drawing Area Setup	3-4
<i>GRID</i> and <i>SNAP</i> Intervals Setup	3-5
Using the <i>ZOOM ALL</i> command	3-6
The AutoCAD <i>MULTILINE</i> command	3-6
Drawing <i>Multilines</i>	3-9
Creating Interior Walls	3-10
Joining the Walls using <i>MULTILINE EDIT</i>	3-13
Using <i>Layers</i> and Object Properties	3-15
Using <i>ZOOM REALTIME</i>	3-18
Modeling the Bathroom	3-18
Controlling <i>Layer Visibility</i>	3-21
Adding a New Layer	3-21
Moving Objects to a Different Layer	3-22
Questions	3-24
Exercises	3-25

Chapter 4

Orthographic Projections and Multiview Constructions

Introduction	4-2
Basic Principles of Projection	4-3
Orthographic Projection	4-3
Multiview Orthographic Projection	4-4
FIRST-ANGLE PROJECTION	4-5
Rotation of the Horizontal and Profile Planes	4-6
Getting the 3D Adjuster Model through the Internet	4-7

Dynamic Rotation – 3D Orbit	4-8
Third-Angle Projection	4-9
Rotation of the Horizontal and Profile planes	4-10
Examining the 3 rd Angle Projection	4-11
The Glass Box and the Six Principal Views	4-12
Examining the Glass Box Model	4-14
Alphabet of Lines	4-15
Precedence of Lines	4-17
The <i>LOCATOR</i> Design	4-18
Starting Up AutoCAD® 2008	4-18
<i>GRID</i> and <i>SNAP</i> intervals Setup	4-19
<i>Layers</i> setup	4-20
Drawing <i>Construction Lines</i>	4-21
Using the <i>OFFSET</i> command	4-21
Set Layer <i>Object</i> as the current layer	4-23
Using the <i>Running Object Snaps</i>	4-23
Creating <i>Object lines</i>	4-25
Turn <i>OFF</i> the construction Lines	4-26
Adding more objects in the Front View	4-26
AutoCAD's AutoSnap™ and AutoTrack™ features	4-27
Adding more objects in the Top View	4-29
Drawing using the <i>Miter Line</i> method	4-33
More <i>Layers setup</i>	4-35
Top View to Side View Projection	4-36
Completing the Front View	4-38
Saving the CAD file	4-40
Questions	4-41
Exercises	4-42

Chapter 5

Pictorials and Sketching

Engineering Drawings, Pictorials and Sketching	6-2
Isometric Sketching	6-7
Isometric Sketching Exercises	6-9
Oblique Sketching	6-10
Oblique Sketching Exercises	6-11
Perspective Sketching	6-12
One-point perspective	6-13
Two-point perspective	6-14
Perspective Sketching Exercises	6-15
Questions	6-16
Exercises	6-17

Chapter 6 Dimensioning and Notes

Dimensioning Standards and Basic Terminology	6-2
Selection and Placement of Dimensions and Notes	6-3
Baseline and Chain Dimensioning	6-9
Dimensioning tools in AutoCAD	6-10
The <i>BRACKET</i> Design	6-10
Starting Up AutoCAD® 2008	6-11
Change the Background Color of the Graphics window	6-12
GRID and SNAP intervals Setup	6-13
Layers setup	6-13
The Bracket Design	6-15
Drawing Construction Lines	6-16
Using the <i>OFFSET</i> command	6-16
Set Layer <i>Object_Lines</i> as the <i>current layer</i>	6-18
Creating Object lines	6-18
Creating Hidden lines	6-19
Creating Center lines	6-20
Turn <i>OFF</i> the Construction Lines	6-20
Using the <i>FILLET</i> command	6-21
Saving the Completed CAD Design	6-22
The <i>Dimension toolbar</i>	6-23
Using <i>Dimension Style Manager</i>	6-23
Dimensions Nomenclature and Basics	6-24
Using the <i>Center Mark</i> command	6-27
Adding <i>Linear</i> Dimensions	6-28
Adding <i>Angular</i> Dimensions	6-29
Adding <i>Radius</i> and <i>Diameter</i> Dimensions	6-30
Using the <i>SINGLE LINE TEXT</i> command	6-31
Adding Special Characters	6-32
Saving the design	6-33
A Special Note on Layers containing Dimensions	6-33
Questions	6-34
Exercises	6-35

Chapter 7 Tolerancing and Fits

Precision and Tolerance	7-2
Methods of Specifying Tolerances – English System	7-3
Nomenclature	7-4
Example 6.1	7-5
Fits between Mating parts	7-6

Selective Assembly	7-7
Basic Hole and Basic Shaft Systems	7-7
American National Standard Limits and Fits – Inches	7-8
Example 6.2 Basic Hole System	7-13
Example 6.3 Basic Hole System	7-14
Example 6.4 Basic Shaft System	7-15
Example 6.5 Basic Shaft System	7-16
Tolerancing – Metric System	7-17
Metric Tolerances and Fits Designation	7-18
Preferred ISO Metric Fits	7-19
Example 6.6 Metric Hole Basis System	7-20
Example 6.7 Shaft Basis System	7-21
Questions	
Exercises	

Chapter 8

Symmetrical Features in designs

Introduction	8-2
The <i>GENEVA CAM</i> Design	8-2
Starting Up AutoCAD® 2008	8-3
Setting up the <i>Plot Style Mode</i>	8-4
Starting a new file	8-6
<i>GRID</i> and <i>SNAP</i> intervals Setup	8-7
<i>Layers</i> setup	8-8
Adding Borders and Title Block in the Layout	8-8
Create a <i>Template file</i>	8-11
Exit AutoCAD® 2008	8-12
Starting Up AutoCAD® 2008	8-13
The <i>Geneva Cam</i> Drawing	8-14
Drawing Construction Lines	8-14
Creating Object lines	8-16
Using the <i>OFFSET</i> command	8-17
Using the <i>MIRROR</i> command	8-19
Using the <i>ARRAY</i> command	8-20
Creating a <i>Viewport</i> inside the Title Block	8-22
<i>Viewport</i> properties	8-23
Hide the <i>Viewport borders</i>	8-24
Adjusting the dimension scale	8-24
<i>Plot/Print</i> the drawing	8-26
Questions	8-28
Exercises	8-29

Chapter 9

Auxiliary Views

Introduction	9-2
Normal View of an inclined surface	9-3
Construction Method I – Folding Line Method	9-5
Construction Method II – Reference Plane Method	9-7
Partial Views	9-9
Creating Auxiliary Views in AutoCAD	9-10
The <i>V-BLOCK</i> Design	9-10
Starting Up AutoCAD® 2008	9-11
The <i>V-Block</i> example	9-12
Setting up the Principal Views	9-12
Setting up the <i>Top View</i>	9-14
Using the <i>OFFSET</i> command	9-16
Creating Object lines in the <i>Front View</i>	9-18
Setting the <i>POLAR TRACKING</i> option	9-19
Setting up the <i>Auxiliary View</i>	9-22
Aligning the <i>Auxiliary View</i> to the <i>Front View</i>	9-23
Creating the V-cut in the <i>Auxiliary View</i>	9-23
Creating the V-cut in the <i>Front-View</i> and <i>Top-View</i>	9-26
Setting the <i>Polar Tracking</i> option	9-28
Completing the <i>Top-View</i>	9-28
Edit the Plot style table	9-32
Questions	9-34
Exercises	9-35

Chapter 10

Section Views

Introduction	10-2
General rules of Section Views	10-4
Section Drawing Types	10-5
• Full Section	10-5
• Half Section	10-5
• Offset Section	10-6
• Broken-Out Section	10-6
• Aligned Section	10-7
• Half Views	10-7
• Thin Sections	10-7
• Revolved Section	10-8
• Conventional Breaks	10-9
• Ribs and Webs in Sections	10-9
• Parts Not Sectioned	10-9

Section Views in AutoCAD	10-10
The <i>BEARING</i> Design	10-10
Starting Up AutoCAD® 2008	10-11
The <i>Bearing</i> Example	10-13
Setting up the <i>Principal Views</i>	10-13
Creating Object lines in the <i>Front View</i>	10-14
Editing the circles	10-16
Setting up the <i>Side View</i>	10-17
Adding Hidden Lines in the <i>Side view</i>	10-19
Changing the <i>Line Type Scale</i> Property	10-21
Stretching and Moving Objects with <i>GRIPS</i>	10-22
Drawing a cutting plane line	10-23
Converting the Side View into a Section View	10-25
Adding <i>Section Lines</i>	10-27
Questions	10-30
Exercises	10-31

Chapter 11

Threads and Fasteners

Introduction	11-2
Screw-Thread Terminology	11-3
Thread Forms	11-5
Thread Representations	11-6
• Detailed Representation	11-7
• Schematic Representation	11-8
• Simplified Representation	11-9
Thread Specification – English Units	11-10
Unified Thread Series	11-11
Thread Fits	11-12
Thread Specification – Metric	11-12
Thread Notes Examples	11-13
Specifying Fasteners	11-14
Commonly used Fasteners	11-15
Drawing Standard Bolts	11-17
Bolt and Screw Clearances	11-17
Questions	11-18
Exercises	11-19

Chapter 12**Working Drawings**

General Engineering Design Process	12-2
Working Drawings	12-3
Detail Drawings	12-3
Assembly Drawings	12-4
Bill of Materials (BOM) and Parts List	12-4
Drawing sizes	12-5
Drawing Sheet Borders and Revisions Block	12-5
Title Blocks	12-6
Working Drawings with AutoCAD	12-7
The <i>Shaft Support</i> Subassembly	12-8
Additional parts	12-8
(1) Cap-Screw	12-8
(2) Collar	12-9
(3) Base-plate	12-9
Starting Up AutoCAD® and Loading multiple drawings	12-10
Using AutoCAD with the Internet	12-11
Rearrange the Displayed Windows	12-12
Defining a <i>Block</i>	12-13
Inserting a <i>Block</i>	12-15
Starting the <i>Assembly drawing</i>	12-16
Copying and Pasting with the <i>Windows Clipboard</i>	12-17
Converting the View into a <i>Section View</i>	12-18
Adding the Bearing to the <i>Assembly Drawing</i>	12-20
Adding the Cap-screws to the <i>Assembly Drawing</i>	12-23
Questions	12-26
Exercises	12-27

Appendix

- A. Running and Sliding Fits – American National Standard
- B. Preferred Metric Fits –ISO standard
- C. UNIFIED NATIONAL THREAD FORM
- D. METRIC THREAD FORM
- E. FASTENERS (INCH SERIES)
- F. METRIC FASTENERS
- G. BOLT AND SCREW CLEARANCE HOLES
- H. REFERENCES

Index

Notes: