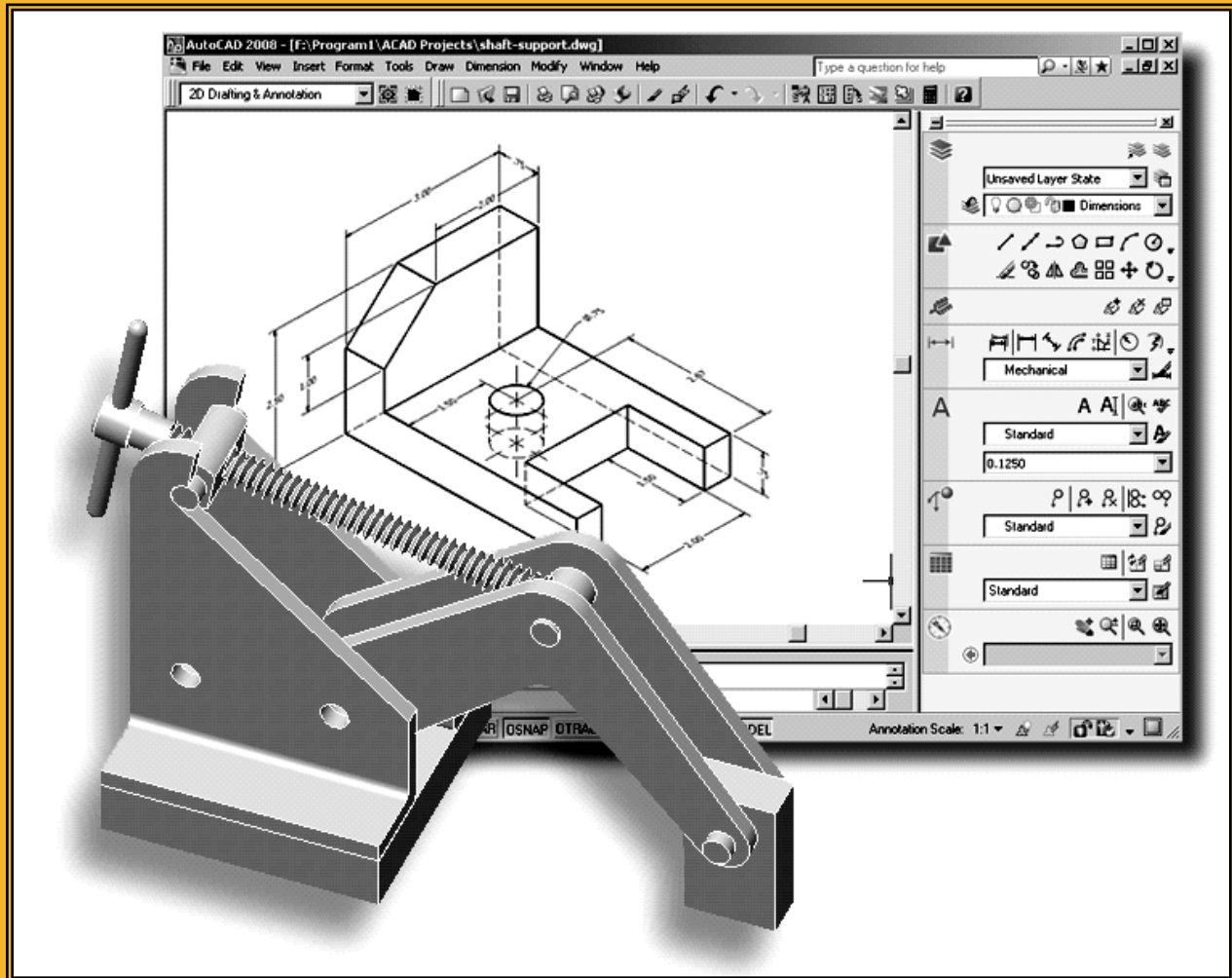


AutoCAD® 2008 Tutorial

Second Level: 3D Modeling



Randy H. Shih
Oregon Institute of Technology

SDC
PUBLICATIONS

Schroff Development Corporation

www.schroff.com
www.schroff-europe.com

Table of Contents

Preface

Acknowledgments

Chapter 1

Getting Started

Introduction	1-2
Development of Computer Geometric Modeling	1-2
Why use AutoCAD® 2008?	1-5
Getting Started with AutoCAD® 2008	1-7
AutoCAD Screen Layout	1-8
3D Modeling WorkSpace	1-9
Pull-down Menus	1-10
Standard Toolbar	1-10
Graphics Window	1-10
Graphics Cursor or Crosshairs	1-10
Command Prompt Area	1-10
Cursor Coordinate or Single Line Help Display	1-10
Status Toolbar	1-10
Dashboard Panels	1-11
3D Modeling and Editing Toolbar Panel	1-11
Layers Control Toolbar Panel	1-11
Visual Styles Toolbar Panel	1-11
Mouse Buttons	1-12
[Esc] - Canceling commands	1-12
On-Line Help	1-13
Leaving AutoCAD	1-14
Creating a CAD files folder	1-15

Chapter 2

User Coordinate System and the Z-Axis

Introduction	2-2
The Floor Plan design	2-2
Starting up AutoCAD	2-3
3D modeling WorkSpace	2-4
Drawing Units Setup	2-5
Drawing Area Setup	2-6
<i>GRID</i> and <i>SNAP</i> intervals Setup	2-7
Drawing and Modify Toolbars	2-8
Drawing Polylines	2-9
Creating an offset polyline	2-10
Creating interior walls	2-11

Completing the doorway using the <i>TRIM</i> command	2-14
User Coordinate System – It is an XY CRT, but an XYZ World	2-16
Viewing the 2D Design in 3D space	2-17
Adding the 3rd dimension to the Floor Plan Design	2-18
Viewing the design using the Hide option	2-20
Adding New Layers	2-21
Moving entities to a different layer	2-22
Moving the UCS	2-22
Creating the roof	2-24
Rotating the UCS	2-26
Sketching on the Rotated UCS	2-27
Viewing the design using the Hidden option	2-28
Questions	2-29
Exercises	2-30

Chapter 3

3D Wireframe Modeling

Introduction	3-2
The <i>LOCATOR</i> Design	3-3
Starting up AutoCAD	3-4
Using the Startup Options	3-4
Creating the rectangular base of the design	3-6
Create a 3D box	3-7
Object Snap Toolbar	3-10
Using the Snap options to locate the top corners	3-10
Using the Copy option to create additional edges	3-12
Using the <i>TRIM</i> Command	3-14
Using the View Toolbar	3-16
Dynamic Rotation – Free orbit	3-16
Using the <i>OFFSET</i> command to create parallel edges	3-17
Creating a circle above the UCS sketch plane	3-19
Completing the wireframe model	3-20
Questions	3-22
Exercises	3-23

Chapter 4

UCS, Viewports and Wireframe Modeling

Introduction	4-2
The <i>V-BLOCK</i> design	4-2
Starting Up AutoCAD	4-3
Layers setup	4-4
Creating the rectangular base of the design	4-5

Creating a wireframe Box	4-6
Using the View and the UCS Toolbars	4-7
Creating construction lines in the front view	4-8
Copying in the negative Z direction	4-10
Creating an Inclined Line at the Base of the Model	4-11
Creating object lines	4-12
Multiple Viewports	4-14
Using the <i>MIRROR</i> command	4-15
Turn <i>OFF</i> the Construction Lines	4-17
Creating a NEW UCS	4-18
Creating a New Named View	4-20
Creating the V-Cut feature on the inclined plane	4-22
Extend the Cut and GRIP Editing	4-23
Questions	4-25
Exercises	4-26

Chapter 5

3D Surface Modeling

Introduction	5-2
Starting up AutoCAD	5-4
Using the UCS and Surfaces Toolbars	5-5
Creating a surface using the <i>2D SOLID</i> command	5-5
Using the Visual Styles Toolbar	5-8
Creating a surface using the <i>3D FACE</i> command	5-10
Creating a surface of irregular shape	5-12
Using the <i>Invisible Edge</i> option	5-14
Moving with the Grip Editing Tools	5-15
The <i>LOCATOR</i> wireframe model	5-16
Moving Objects to a different Layer	5-16
Advanced Surface Modeling commands	5-18
Using the <i>Tabulated Surface</i> option	5-20
Using the <i>Ruled Surface</i> option	5-22
Questions	5-25
Exercises	5-26

Chapter 6

Solid Modeling - Constructive Solid Geometry

Introduction	6-2
The <i>GUIDE-BLOCK</i> Design	6-2
<i>Constructive Solid Geometry</i> Concept	6-3
Binary Tree	6-4
The <i>GUIDE-BLOCK</i> CSG Binary Tree	6-5

Starting Up AutoCAD® 2008	6-6
Creating the First 3-D object	6-7
Viewing the 3-D Block	6-8
Creating the Second Solid Feature	6-9
Boolean Operation - <i>UNION</i>	6-10
Creating the Second Cylinder Feature	6-11
Boolean Operation - <i>SUBTRACT</i>	6-12
Creating another Solid Feature	6-13
Visual Styles Options	6-14
Creating the Final Feature	6-15
Rotating the Rectangular Block	6-16
Moving the Rectangular Block	6-17
Questions	6-18
Exercises	6-19

Chapter 7

Regions, Extrude and Solid Modeling

Introduction	7-2
The <i>V-BLOCK</i> design	7-2
Starting Up AutoCAD	7-3
Layers setup	7-4
Setting up a 2D sketch	7-5
Defining the Front edges of the design	7-7
Creating a Region	7-10
Modeling Toolbar	7-11
Creating a 2D sketch at the Base of the Model	7-13
Creating a Copy of the 2D sketch	7-14
Creating the cutter solids	7-15
Boolean operation - <i>Subtract</i>	7-16
Mass properties of the solid model	7-17
Align the UCS to the inclined face	7-18
Creating the V-cut	7-19
Questions	7-22
Exercises	7-23

Chapter 8

Multiview Drawings From 3D Models

Introduction	8-2
The <i>V-BLOCK</i> design	8-2
Starting Up AutoCAD	8-3
AutoCAD Paper Space	8-4
Deleting the displayed viewport	8-5

Adding borders and title block in the layout	8-6
Setting up Viewports inside the Titleblock	8-7
Setting up the standard views	8-8
Determining the necessary 2D views	8-10
Establishing an auxiliary view in Model Mode	8-11
Adding a viewport for an Auxiliary view	8-13
Using the <i>DVIEW</i> command	8-16
Adjusting the Viewport Scale	8-17
Locking the Base view	8-18
Aligning the 2D views	8-18
Creating 2D projected entities - SOLPROF	8-21
Completing the 2D drawing	8-23
Questions	8-25
Exercises	8-26

Chapter 9

Symmetrical Features in Designs

Introduction	9-2
A Revolved Design: <i>PULLEY</i>	9-2
Modeling Strategy - A Revolved Design	9-3
Starting Up AutoCAD	9-4
Layers Setup	9-5
Setting up a 2D sketch for the Revolved feature	9-6
Perform 2D Boolean Operations	9-8
Creating the Revolved Feature	9-12
Mirroring Part	9-13
Combining Parts	9-14
3D Array	9-15
Position and perform the Cut	9-18
Questions	9-20
Exercises	9-21

Chapter 10

Advanced Modeling Tools & Techniques

Introduction	10-2
A Thin-walled Design: <i>OIL SINK</i>	10-2
Modeling Strategy	10-3
Starting Up AutoCAD	10-4
Layers Setup	10-5
The First Extruded Feature	10-6
Create an Offset geometry from an Extracted surface	10-8
Extrude with Draft Angle	10-10

Aligning the parts	10-11
Create another Extracted Surface	10-12
Combining parts – Boolean UNION	10-15
Creating 3D Rounds and Fillets	10-16
Creating a Shell Feature	10-18
Creating a Rectangular Array Cut feature	10-19
Creating Another Rectangular Array cut feature	10-21
Making A Design Change	10-23
Grip Editing Approach	10-23
Dynamic UCS Approach	10-25
Questions	10-27
Exercises	10-28

Chapter 11

Conceptual Design Tools & Techniques

Introduction	11-2
A <i>BIRDHOUSE</i> Design	11-3
Starting Up AutoCAD	11-4
Layers Setup	11-5
The Base Plate	11-6
Create the 1 st floor inside compartments	11-7
Create a solid feature Using the PressPull command	11-8
Using the PressPull command as an Editing Tool	11-10
Create another Cut feature	11-11
Adjusting the Compartments	11-13
Adding additional Compartments	11-14
Creating the Doors	11-15
Creating the 2 nd Floor	11-16
Repositioning the 2 nd Floor	11-18
Modeling the Roof Section with the PressPull command	11-19
Using the Imprint command	11-21
Conclusion	11-23
Questions	11-24
Exercises	11-25

Index