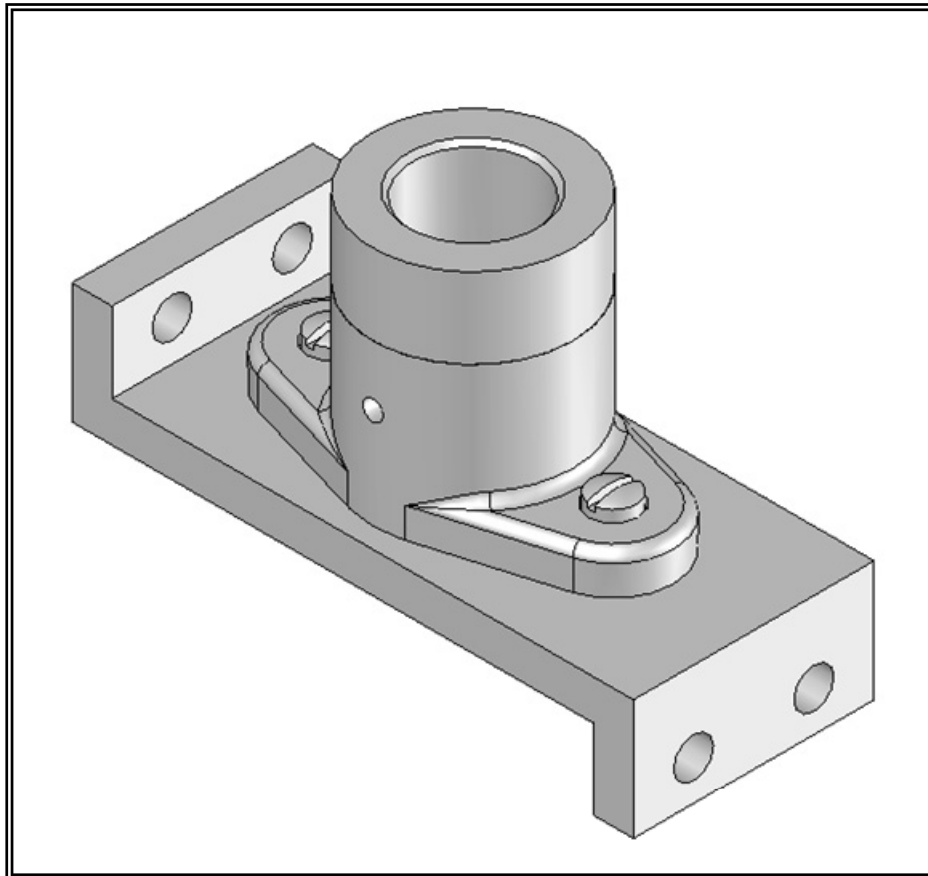


Parametric Modeling

With

SolidWorks 2006



Randy H. Shih
Oregon Institute of Technology

Paul J. Schilling
University of New Orleans

SDC
PUBLICATIONS

Schroff Development Corporation

www.schroff.com
www.schroff-europe.com

Table of Contents

Preface

Acknowledgments

Chapter 1

Getting Started

Introduction	1-2
Development of Computer Geometric Modeling	1-2
Feature-Based Parametric Modeling	1-6
Getting Started with SolidWorks	1-7
Units Setup	1-9
SolidWorks Screen Layout	1-11
Mouse Buttons	1-15
[Esc] - Canceling Commands	1-15
On-Line Help	1-16
Leaving SolidWorks	1-16
Creating a CAD Files Folder	1-17

Chapter 2

Parametric Modeling Fundamentals

Introduction	2-2
The Adjuster design	2-3
Starting SolidWorks	2-3
SolidWorks Screen Layout	2-4
Units Setup	2-5
Creating Rough Sketches	2-6
Step 1: Creating a Rough Sketch	2-7
Graphics Cursors	2-7
Geometric Relation Symbols	2-9
Step 2: Apply/Modify Relations and Dimensions	2-10
Changing the Dimension Standard	2-11
Viewing Functions – Zoom and Pan	2-12
Modifying the Dimensions of the Sketch	2-13
Step 3: Completing the Base Solid Feature	2-14
Isometric View	2-15
Rotation of the 3-D Model – Rotate View	2-15
Rotation and Panning – Arrow keys	2-17
Viewing – Quick Keys	2-18
Viewing Tools – View Toolbar	2-20
Standard Views	2-21
Display Options – View Toolbar	2-22
Orthographic vs. Perspective	2-22

Sketch Plane	2-23
Step 4-1: Adding an Extruded Boss Feature	2-25
Step 4-2: Adding an Extruded Cut Feature	2-28
Save the Model	2-30
Questions	2-31
Exercises	2-32

Chapter 3

Constructive Solid Geometry Concepts

Introduction	3-2
Binary Tree	3-3
Modeling Strategy – CSG Binary Tree	3-5
The Locator Design	3-4
Starting SolidWorks	3-6
<i>GRID</i> and <i>SNAP</i> Intervals Setup	3-7
Base Feature	3-8
Modifying the Dimensions of the Sketch	3-10
Repositioning Dimensions	3-10
Completing the Base Solid Feature	3-11
Creating the Next Solid Feature	3-12
Creating an Extruded Cut Feature	3-15
Creating a Hole with the Hole Wizard	3-18
Creating a Rectangular Extruded Cut Feature	3-21
Questions	3-24
Exercises	3-25

Chapter 4

FeatureManager Design Tree

Introduction	4-2
Starting SolidWorks	4-3
Creating a User-Defined Part Template	4-4
The <i>Saddle Bracket</i> Design	4-9
Modeling Strategy	4-10
The <i>SolidWorks FeatureManager Design Tree</i>	4-11
Creating the Base Feature	4-11
Adding the Second Solid Feature	4-14
Creating a 2D sketch	4-15
Renaming the Part Features	4-17
Adjusting the Width of the Base Feature	4-18
Adding a Hole	4-19
Creating a Rectangular Extruded Cut Feature	4-21
History-Based Part Modifications	4-22
A Design change	4-23

Questions	4-26
Exercises	4-27

Chapter 5

Geometric Relations Fundamentals

DIMENSIONS and RELATIONS	5-2
Create a Simple Triangular Plate Design	5-2
Fully Defined Geometry	5-3
Starting SolidWorks	5-3
Displaying Existing Relations	5-4
Applying Geometric Relations/Dimensional Constraints	5-5
Over-Defining and Driven Dimensions	5-10
Deleting Existing Relations	5-11
Using the Autodimension Command	5-12
Adding Additional Geometry	5-13
Relation Settings	5-16
Parametric Relations	5-17
Dimensional Values and Dimensional Variables	5-19
Parametric Equations	5-20
Viewing the Established Equations	5-21
Adding Linked Dimensions	5-23
Saving the Model File	5-27
Questions	5-27
Exercises	5-28

Chapter 6

Geometric Construction Tools

Introduction	6-2
The Gasket Design	6-2
Modeling Strategy	6-3
Starting SolidWorks	6-4
Creating a 2D Sketch	6-5
Editing the Sketch by Dragging the Entities	6-7
Adding Additional Relations	6-9
Using the <i>Trim</i> and <i>Extend</i> Commands	6-10
The <i>Auto Dimension</i> Command	6-13
Fully Defined Geometry	6-15
Creating Fillets and Completing the Sketch	6-16
Profile Sketch	6-17
Redefining the Sketch and Profile	6-18
Create an OFFSET Extruded Cut Feature	6-21
Questions	6-25
Exercises	6-26

Chapter 7

Parent/Child Relationships and the BORN Technique

Introduction	7-2
The BORN Technique	7-2
The U-Bracket Design	7-3
Starting SolidWorks	7-3
Applying the BORN Technique	7-5
Creating the 2-D Sketch of the Base Feature	7-5
Create the First Extrude Feature	7-11
The Implied Parent/Child Relationships	7-11
Creating the Second Solid Feature	7-12
Creating the First Extruded Cut Feature	7-15
Creating the Second Extruded Cut Feature	7-16
Examining the Parent/Child Relationships	7-18
Modify a Parent Dimension	7-19
A Design Change	7-20
Feature Suppression	7-21
Suppress the Rect_Cut Feature	7-23
Creating a Circular Extruded Cut Feature	7-24
A Flexible Design Approach	7-26
Save Part File	7-27
Questions	7-28
Exercises	7-29

Chapter 8

Part Drawings and Associative Functionality

Drawings from Parts and Associative Functionality	8-2
Starting SolidWorks	8-3
Drawing Mode	8-3
Setting Sheet Properties using the Pre-Defined Sheet Formats	8-7
Creating Three Standard Views	8-8
Repositioning Views	8-9
Adding a New Sheet	8-10
Adding a Base View	8-10
Adding an Isometric View	8-13
Adjusting the View Scale	8-14
Displaying Feature Dimensions	8-15
Repositioning, Appearance, and Hiding of Feature Dimensions	8-16
Adding Additional Dimensions – Reference Dimensions	8-17
Adding Center Marks, Center Lines, and Sketch Objects	8-20
Edit Sheet vs. Edit Sheet Format	8-23
Completing the Drawing Sheet	8-23
Property Links	8-26
Associative Functionality – Modifying Feature Dimensions	8-30

Saving a Drawing File	8-33
Saving a Drawing Template	8-33
Questions	8-35
Exercises	8-36

Chapter 9

Reference Geometry and Auxiliary Views

Reference Geometry	9-2
Auxiliary Views in 2D Drawings	9-2
The <i>Rod-Guide</i> Design	9-2
Modeling Strategy	9-3
Starting SolidWorks	9-4
Applying the BORN Technique	9-4
Creating the Base Feature	9-5
Creating an Angled Reference Plane	9-7
Creating a 2D sketch on the Reference Plane	9-10
Using the Convert Entities Option	9-10
Completing the Solid Feature	9-14
Creating an Offset Reference Plane	9-15
Creating another Extruded Cut Feature using the Reference Plane	9-16
Starting a New 2D Drawing and Adding a Base View	9-18
Creating an Auxiliary View	9-19
Displaying Feature Dimensions	9-21
Adjusting the View Scale	9-22
Repositioning, Appearance, and Hiding of Feature Dimensions	9-22
Tangent Edge Display	9-25
Adding Center Marks and Center Lines	9-26
Controlling the View and Sheet Scales	9-28
Completing the Drawing Sheet	9-29
Editing the Isometric view	9-31
Questions	9-32
Exercises	9-33

Chapter 10

Symmetrical Features in Designs

Introduction	10-2
A Revolved Design: PULLEY	10-2
Modeling Strategy - A Revolved Design	10-3
Starting SolidWorks	10-4
Creating the 2-D Sketch for the Base Feature	10-4
Creating the Revolved Feature	10-8
Mirroring Features	10-9
Creating an Extruded Cut Feature using Construction Geometry	10-10

Circular Pattern	10-15
Drawing Mode – Defining a New Border and Title Block	10-17
Creating a New Drawing Template	10-20
Creating Views	10-21
Retrieve Dimensions – Model Items Command	10-24
Save the Drawing File	10-25
Associative Functionality – A Design Change	10-26
Adding Center lines to the Pattern Feature	10-28
Completing the Drawing	10-29
Questions	10-32
Exercises	10-33

Chapter 11

Advanced 3D Construction Tools

Introduction	11-2
A Thin-Walled Design: <i>Dryer Housing</i>	11-2
Modeling Strategy	11-3
Starting SolidWorks	11-4
Creating the 2-D Sketch for the Base Feature	11-4
Create a Revolved Boss Feature	11-7
Creating Offset Reference Planes	11-8
Creating 2D Sketches on the Offset Reference Planes	11-9
Creating a Lofted Feature	11-12
Creating an Extruded Boss Feature	11-14
Completing the Extruded Boss Feature	11-15
Create 3D Rounds and Fillets	11-16
Creating a Shell Feature	11-17
Create a Rectangular Extruded Cut Feature	11-18
Creating a Linear Pattern	11-20
Creating a Swept Feature	11-23
Questions	11-28
Exercises	11-29

Chapter 12

Assembly Modeling - Putting It All Together

Introduction	12-2
Assembly Modeling Methodology	12-2
The Shaft Support Assembly	12-3
Parts	12-3
(1) Collar	12-3
(2) Bearing	12-4
(3) Base-Plate	12-4
(4) Cap-Screw	12-5

Starting SolidWorks	12-6
Document Properties	12-6
Inserting the First Component	12-7
Inserting the Second Component	12-8
Degrees of Freedom	12-9
Assembly Mates	12-9
Apply the First Assembly Mate	12-11
Apply a Second Mate	12-12
Constrained Move	12-13
Apply a Third Mate	12-14
Inserting the Third Component	12-17
Applying Concentric and Coincident Mates	12-17
Assemble the Cap-Screws using SmartMates	12-19
Exploded View of the Assembly	12-23
Editing the Components	12-25
Save the Assembly Model	12-26
Setup a Drawing of the Assembly Model	12-27
Creating a Bill of Materials	12-28
Editing the Bill of Materials	12-30
Completing the Assembly Drawing	12-33
Exporting the Bill of Materials	12-35
Conclusion	12-36
Summary of Modeling Considerations	12-36
Questions	12-37
Exercises	12-38

Index

NOTES: