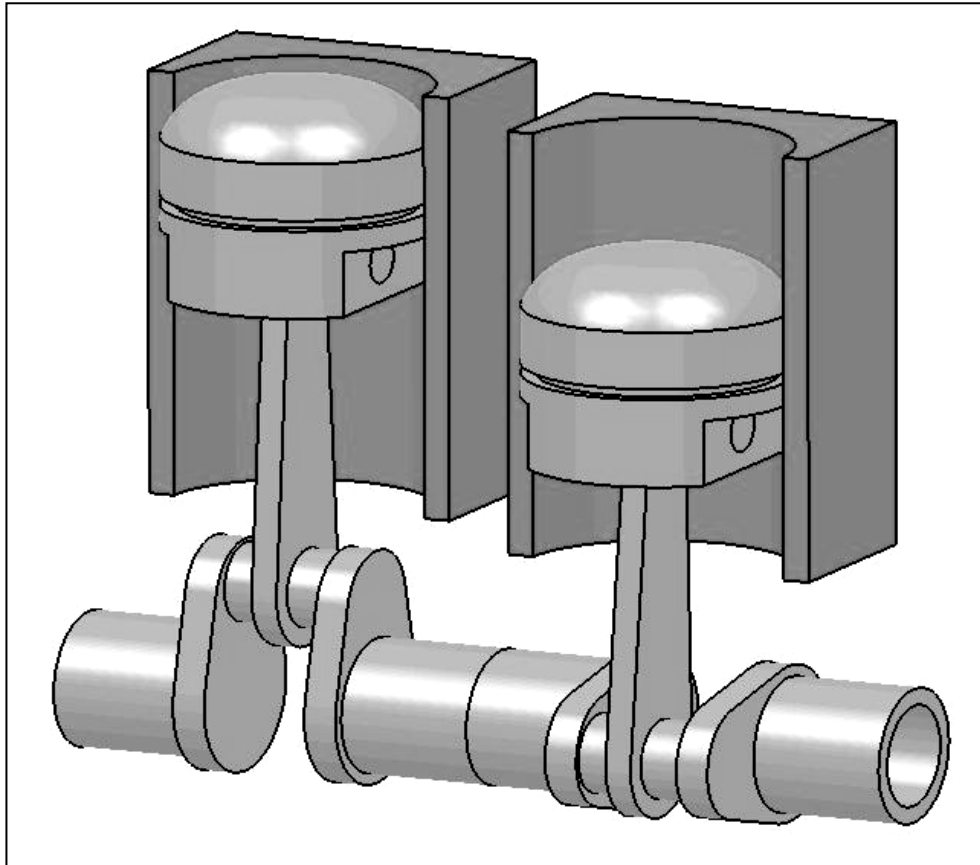


CATIA V5 Tutorials

Mechanism Design & Animation

Release 16



Nader G. Zamani

University of Windsor

Jonathan M. Weaver

University of Detroit Mercy

SDC
PUBLICATIONS

Schroff Development Corporation

www.schroff.com

www.schroff-europe.com

Table of Contents

Chapter 1	Introduction
Chapter 2	A Block with Constant Acceleration along a Prismatic Joint
Chapter 3	An Arm Rotating about a Revolute Joint
Chapter 4	Slider Crank Mechanism
Chapter 5	Sliding Ladder
Chapter 6	A Gearing Mechanism
Chapter 7	Ellipse Generator Mechanism
Chapter 8	Cam-Follower Mechanism
Chapter 9	Planetary Gear Mechanism
Chapter 10	Telescopic Mechanism
Chapter 11	Robotic Arm
Chapter 12	Single Cylinder Engine
Chapter 13	Universal Joint Mechanism
Chapter 14	C-clamp Mechanism
Chapter 15	A Mechanism with Coriolis Acceleration
Chapter 16	Prelude to the Human Builder Workbench
Chapter 17	Exercises
Appendix I	Additional Functionalities, Tips and Tricks