

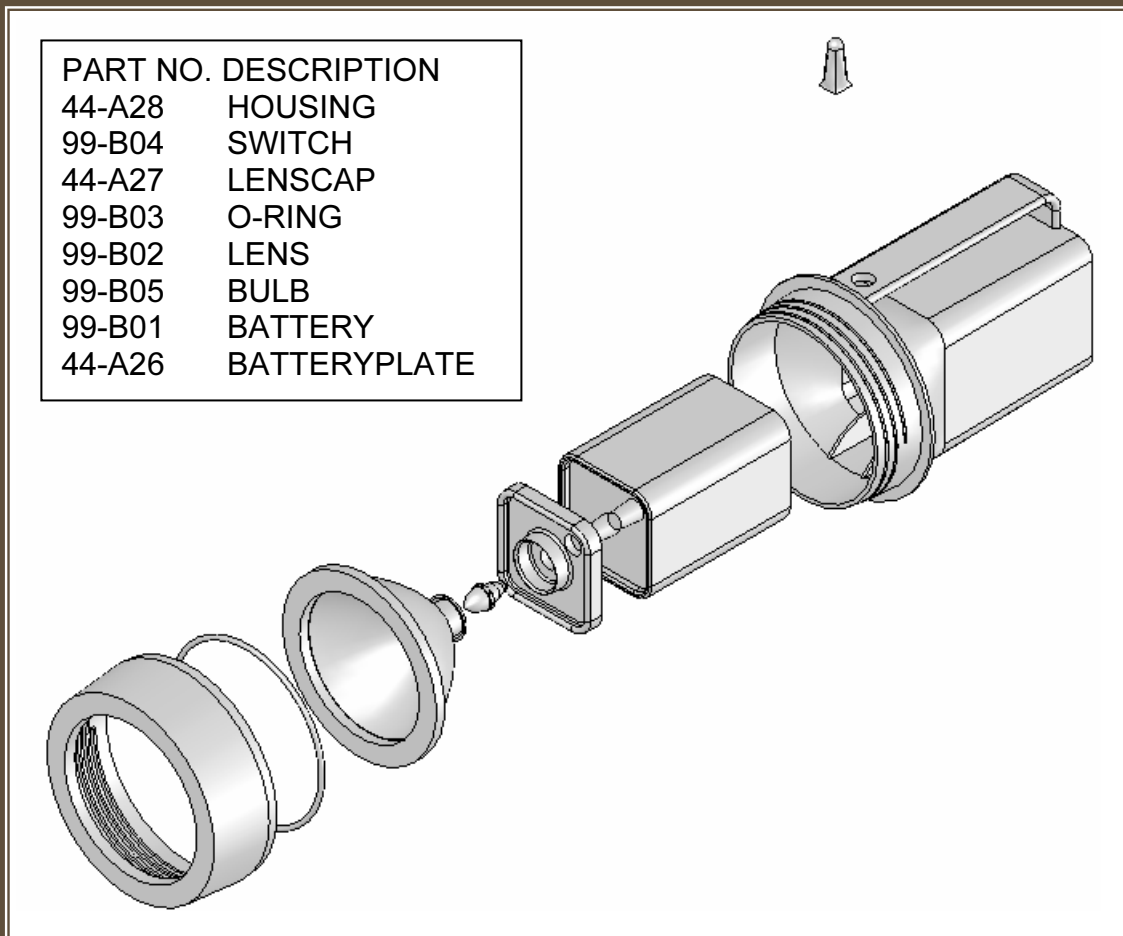
INSIDE:



SolidWorks 2007: The Basics with Multimedia CD

A Working Knowledge of SolidWorks using a
Step-by-Step Project Based Approach

David C. Planchard & Marie P. Planchard



SDC
PUBLICATIONS

Schroff Development Corporation

www.schroff.com
www.schroff-europe.com



TABLE OF CONTENTS

Introduction	I-1
About the Cover	I-2
About the Authors	I-2
Dedication	I-3
Contact the Authors	I-3
Note to Instructors	I-3
Trademarks, Disclaimers, and Copyrighted Material	I-4
References	I-4
Table of Contents	I-5
What is SolidWorks?	I-8
Design Intent	1-10
Design Intent in the Sketch	1-10
Design Intent in the Feature	1-12
Design Intent in the Part	1-12
Design Intent in the Assembly	1-13
Design Intent in the Drawing	1-14
Overview of Projects	I-13
Project 1: Extruded Boss/Base Features	I-14
Project 2: Revolved Boss/Base Features	I-14
Project 3: Sweep and Loft Boss/Base Features	I-14
Project 4: Assembly Fundamentals: Bottom-up method	I-14
Project 5: Drawing Fundamentals	I-15
About the Book	I-15
Windows Terminology in SolidWorks	I-16
Project 1-Introduction to Part Modeling	1-1
Project Overview	1-3
File Management	1-4
Start a SolidWorks session	1-5
Design Library	1-6
File Explorer	1-7
Search	1-7
View Palette	1-7
Auto Recovery	1-8
PhotoWorks	1-8
Drop-Down Menu	1-8
Fly-out FeatureManager	1-8
Right Click Pop-up Menus	1-9
FeatureManager design tree	1-9
Confirmation Corner	1-9
SolidWorks User Interface and CommandManager	1-11
Design Intent	1-16
Part Template	1-20
BATTERY Part	1-24
BATTERY Part-Extruded Base Feature	1-25
BATTERY Part-Fillet Feature	1-29
BATTERY Part-Extruded Cut Feature	1-31

BATTERY Part-Fillet Feature	1-33
BATTERY Part Extruded Boss Feature	1-35
BATTERYPLATE Part	1-39
Save As, Delete, Modify, and Edit Feature	1-40
BATTERYPLATE Part-Offset Entities	1-42
BATTERYPLATE Part-Extruded Boss Feature	1-43
BATTERYPLATE Part-Fillet Features: Full Round, Multiple Radius Options	1-43
BATTERYPLATE Part-Chamfer Feature	1-46
Multi-body Parts and Extruded Boss Feature	1-47
Project Summary	1-48
Project Terminology	1-49
Questions	1-51
Exercises	1-52
Project 2-Revolved Features	2-1
Project Overview	2-3
LENS Part	2-4
LENS Part Revolved Base Feature	2-7
LENS Part-Shell Feature	2-8
LENS Part-Extruded Boss Feature and Convert Entities Sketch Tool	2-9
LENS Part-Extruded Boss Feature	2-9
LENS Part-Hole Wizard Feature	2-10
LENS Part-Revolved Boss Thin Feature	2-13
LENS Part-Extruded Boss Feature and Offset Entities	2-15
LENS Part-Extruded Boss Feature and Transparent Optical Property	2-17
LENS Part-Transparent Optical Property	2-17
BULB Part	2-19
BULB Part-Revolved Base Feature	2-20
BULB Part-Revolved Boss Feature and Spline Sketch Tool	2-22
BULB Part-Revolved Cut Thin Feature	2-24
BULB Part-Dome Feature	2-26
BULB Part-Circular Pattern Feature	2-26
BULB Part-Seed Cut Feature	2-27
BULB Part-Extruded Cut Feature	2-28
BULB Part-Circular Pattern Feature	2-29
Customizing Toolbars and Short Cut Keys	2-30
Project Summary	2-32
Project Terminology	2-32
Questions	2-34
Exercises	2-35
Project 3-Sweep, Loft and Additional Features	3-1
Project Overview	3-3
O-RING Part	3-4
O-RING Part-Sweep Feature	3-6
SWITCH Part	3-7
SWITCH Part-Loft Base Feature	3-8
SWITCH Part-Shape Feature	3-12
Four Major Categories of Solid Features	3-14
LENSCAP Part	3-15
LENSCAP Part-Extruded Base Feature	3-16

LENSCAP Part-Extruded Cut Feature	3-16
LENSCAP Part-Shell Feature	3-16
LENSCAP Part-Revolved Cut Thin Feature	3-19
LENSCAP Part-Thread Path Feature	3-20
LENSCAP Part-Helix/Spiral Curve Feature	3-20
LENSCAP Part-Sweep Feature	3-24
HOUSING Part	3-26
HOUSING Part-Extruded Base Feature	3-27
HOUSING Part-Loft Boss Feature	3-29
HOUSING Part-First Extruded Boss Feature	3-33
HOUSING Part-Shell Feature	3-34
HOUSING Part-Second Extruded Boss Feature	3-35
HOUSING Part-Draft Feature	3-36
HOUSING Part-Thread Feature	3-37
HOUSING Part-Sweep Feature	3-37
HOUSING Part-Handle Sweep Feature	3-41
HOUSING Part-Extruded Cut Feature with UpToSurface Option	3-46
HOUSING Part-First Rib Feature	3-48
HOUSING Part-Linear Pattern Feature	3-48
HOUSING Part-Second Rib Feature	3-51
HOUSING Part-Mirror Feature	3-54
Project Summary	3-56
Project Terminology	3-56
Questions	3-58
Exercises	3-59
Project 4-Assembly Modeling	4-1
Project Overview	4-3
Assembly Modeling Overview	4-4
FLASHLIGHT Assembly	4-6
Assembly Techniques	4-7
Assembly Template	4-8
Assembly Templates-ANSI	4-8
Assembly Templates-ISO	4-9
LENSANDBULB Sub-assembly	4-9
BATTERYANDPLATE Sub-assembly	4-13
CAPANDLENS Sub-assembly	4-15
FLASHLIGHT Assembly	4-19
FLASHLIGHT Assembly-Interference Issues	4-25
FLASHLIGHT Assembly-Exploded View	4-27
FLASHLIGH Assembly-Export Files and eDrawings	4-30
Project Summary	4-33
Project Terminology	4-33
Questions	4-34
Exercises	4-35
Project 5-Fundamentals of Drawing	5-1
Project Overview	5-3
New Drawing and the Drawing Template	5-4
Title Block	5-7
Company Logo and Save Sheet Format	5-11

BATTERY Drawing	5-15
BATTERY Drawing-Insert a View	5-16
BATTERY Drawing-Detail View	5-18
BATTERY Drawing-View Display	5-20
BATTERY Drawing-Insert Model Items and Move Dimensions	5-21
BATTERY Drawing-Insert a Note	5-23
New Assembly Drawing and Exploded View	5-25
FLASHLIGHT Drawing-Bill of Materials	5-27
FLASHLIGHT Drawing-Balloons	5-29
Part Numbers	5-29
FLASHLIGHT Drawing-ConfigurationManager	5-30
FLASHLIGHT Drawing-Update the Bill of Materials	5-30
O-RING Part-Design Table	5-32
O-RING Drawing	5-34
O-RING Drawing-Design Table	5-35
Project Summary	5-36
Project Terminology	5-37
Questions	5-38
Exercises	5-39

Appendix

ECO Form	A-1
Types of Decimal Dimensions (ASME Y14.5M)	A-2
Cursor Feedback	A-3
Sketch Tools	A-3
Sketching Relations	A-4
Dimensions	A-4
Selection (edge, body, etc.)	A-5
Assemblies	A-6
SmartMates	A-6
FeatureManager	A-6
Drawings	A-7
Standard Tools	A-7
SolidWorks Keyboard Shortcuts	A-8
Windows Shortcuts	A-9
Helpful On-Line Information	A-10