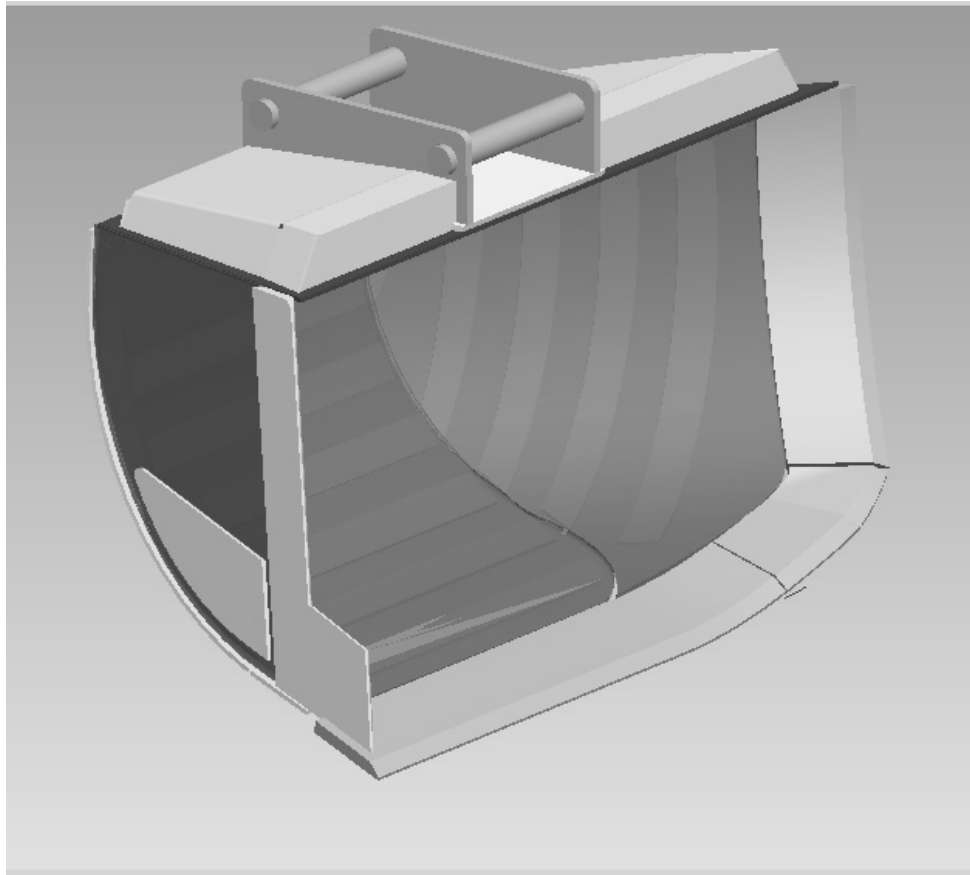


# INTRODUCTION TO **PRO/SHEETMETAL**

## **WILDFIRE 3.0**



*Sheetmetal Assembly of a 'Bucket'*

**Yves Gagnon, M.A.Sc.**

**SDC**  
PUBLICATIONS

**Schroff Development Corporation**

---

**[www.schroff.com](http://www.schroff.com)**  
[www.schroff-europe.com](http://www.schroff-europe.com)

<b>Table of Contents</b>
--------------------------

Preface	i
Acknowledgments	i
About the Author	i
Files for this Manual	ii
Table of Contents	iii
<b>Exercise 1a</b>	
<b>First Wall Features</b>	1
Objectives	1
Designing in Sheetmetal Mode	1
Introduction	1
Introduction to Pro/ENGINEER Wildfire Sheetmetal	3
Table 1: Wall Feature Types	4
Procedure	4
1. Creating a Wall Feature Using the Extruded Option	9
Table 2: Imperial Sheet Metal Gauges	12
<b>Exercise 1b</b>	
<b>First Wall Features (continued)</b>	15
1. Creating a Wall Feature Using the Flat Wall Option	15
2. Creating a Wall Feature Using the Sheet Metal Convert Option	17
Table 1: Sheet Metal Feature Conversion Options	18
References	22
<b>Exercise 1c</b>	
<b>Creating a Blended Wall</b>	23
Objectives	23
Introduction	23
Procedure	23
1. Creating Walls using the Swept Wall feature	23
<b>Exercise 2</b>	
<b>Secondary and Unattached Wall Features</b>	29
Objectives	29
Introduction	29
Table 1: Additional Wall Feature Options	30
Table 2: Bend Radius Options	30
Procedure	30
1. Creating Additional Wall Features Using the Flat Option with Radius	30

2. Creating an Additional Wall Feature Using the Flat Option with Radius and Bend Relief	35
Table 3: Wall Corner Relief Options	37
3. Creating an Unattached Wall Feature and Merging It to the Model Geometry	39
References	44

**Exercise 3**

<b>Bend Features – Part I</b>	45
Objectives	45
Introduction	45
1. Bending	45
Bend Allowance and Developed Length	46
Minimum Bend Radius	46
Table 1: Minimum Bend Radius for Plate Steel and Aluminum (Room Temperature)	46
Springback	47
2. Rolling (or Roll Bending)	47
3. Bending with Pro/ENGINEER Wildfire Sheetmetal	48
Table 2: Sheet Metal Bends Descriptions	48
Table 3: Bend Relief Options	49
Procedure	50
1. Create Simple Bends	50
Table 4: Bend Feature Attributes for Modelside Bends	60
2. Creating a Simple Roll Bend Feature with Transition	63
References	68

**Exercise 4**

<b>Bend Features – Part II</b>	69
Objectives	69
Introduction	69
Bend Allowance and Developed Length	69
Unbending Geometry	70
Sheetmetal versus Solid Cuts	70
Table 1: Sheetmetal versus Solid Cut	70
Table 2: Description of the Cut Operations in Sheetmetal	71
Procedure	71
1. Creating Unbent and Bendback Features – Creating Solid Features	71
Creating a Solid Extruded Cut	73
Bending Back Geometry	75
2. Creating a Sheet Metal Cut	79
3. Setting up Flat State of the Part for the Engineering Drawing	82
4. Copying Wall Features	85
Conclusion	89
Project	90

<b>Exercise 5</b>	
<b>Conversion Features</b>	91
Objectives	91
Introduction	91
Table 1: Sheetmetal Conversion Feature Options	91
Procedure	92
1. Creating Rips and Relief	92
Table 2: Corner Relief Options	96
Creating Forms in Sheet Metal	103
Table 3: Form Feature Options	103
Table 4: Form Feature Options Reference and Copy	104
Procedure	104
1. Creating the Form in Part Mode	104
2. Creating the Form Feature in Sheetmetal	106
Table 5: Constraints for Form Feature Creation	109
3. Completion of the Sheetmetal Model	113
Project	122
References	122
<b>Exercise 6</b>	
<b>Unbending Complex Geometry - I</b>	123
Objectives	123
Introduction	123
Procedure	124
1. Creating wall using the conversion feature	124
2. Sketching a deformation area	131
Conclusions	137
References	138
<b>Exercise 7</b>	
<b>Unbending Complex Geometry - II</b>	139
Objectives	139
Introduction	139
Procedure	140
1. Creating walls using blend wall feature	140
Part 1	140
Part 2: Cross-Section Driven Unbends	145
Conclusion	155
References	155