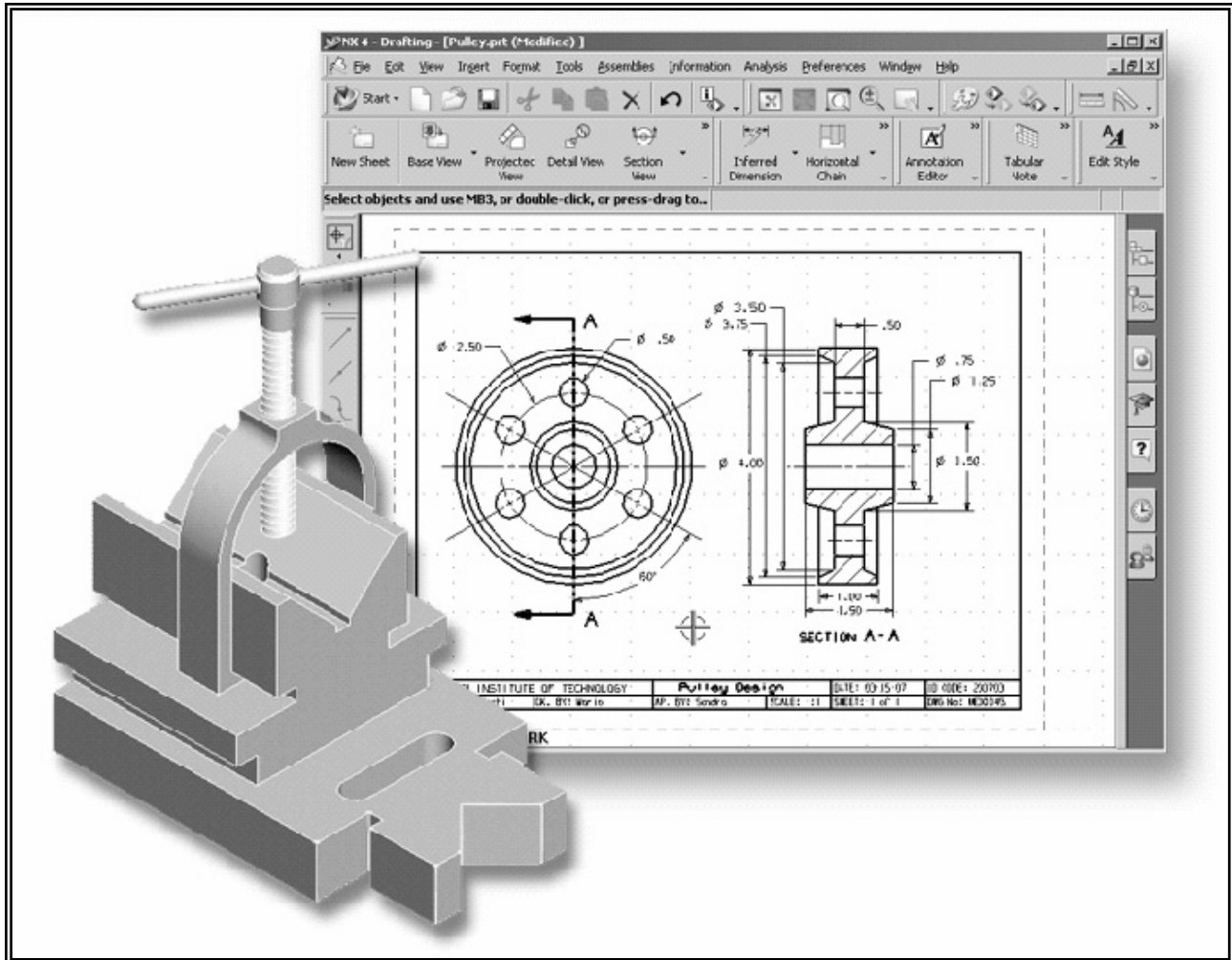


Parametric Modeling with UGS NX 4



Randy H. Shih
Oregon Institute of Technology

SDC
PUBLICATIONS

Schroff Development Corporation

www.schroff.com
www.schroff-europe.com

Table of Contents

Preface

Acknowledgments

Chapter 1

Introduction - Getting Started

| | |
|--------------------------------------------|------|
| Introduction | 1-2 |
| Development of Computer Geometric Modeling | 1-2 |
| Feature-Based Parametric Modeling | 1-6 |
| Getting Started with <i>UGS NX 4</i> | 1-7 |
| The <i>UGS NX</i> Main Window | 1-8 |
| <i>UGS NX 4</i> Screen Layout | 1-10 |
| Pull-down Menus | 1-11 |
| Standard Toolbar | 1-11 |
| View Toolbar | 1-11 |
| Utility Toolbar | 1-11 |
| Analysis Toolbar | 1-11 |
| Selection Toolbar | 1-12 |
| Snap Point Toolbar | 1-12 |
| Message and Status Bar | 1-12 |
| Resource Bar | 1-12 |
| Mouse Buttons | 1-13 |
| [Esc] - Canceling commands | 1-14 |
| On-Line Help | 1-14 |
| Leaving <i>UGS NX 4</i> | 1-14 |
| Creating a CAD files folder | 1-15 |

Chapter 2

Parametric Modeling Fundamentals

| | |
|--------------------------------------------------|------|
| Introduction | 2-2 |
| The Adjuster design | 2-3 |
| Step 1: Starting <i>UGS NX</i> and Units setup | 2-3 |
| <i>UGS NX</i> Application Screen Layout | 2-5 |
| Step 2: Determine/Set Up the First Solid Feature | 2-6 |
| Work Plane – It is an XY CRT, but an XYZ World | 2-7 |
| Creating Rough Sketches | 2-9 |
| Step 3: Creating a Rough 2D Sketch | 2-10 |
| Geometric Constraint Symbols | 2-11 |
| Step 4: Apply/Modify Constraints and Dimensions | 2-12 |
| Dynamic Viewing Functions – Zoom and Pan | 2-17 |
| Step 5: Completing the Base Solid Feature | 2-18 |

| | |
|-------------------------------------------------------|------|
| Display Orientations | 2-19 |
| Dynamic Viewing – Icons, Mouse buttons and Quick Keys | 2-20 |
| Display Modes | 2-22 |
| Step 6-1: Adding an Extruded Feature | 2-23 |
| Step 6-2: Adding a Subtract Feature | 2-28 |
| Save the Model and Exit <i>UGS NX</i> | 2-32 |
| Questions | 2-33 |
| Exercises | 2-34 |

Chapter 3

Constructive Solid Geometry Concepts

| | |
|-----------------------------------------|------|
| Introduction | 3-2 |
| Binary Tree | 3-3 |
| The <i>Locator</i> Design | 3-4 |
| Modeling Strategy – CSG Binary Tree | 3-5 |
| Starting <i>UGS NX</i> | 3-6 |
| Base Feature | 3-7 |
| Work plane GRID Display Setup | 3-8 |
| Completing the Base Solid Feature | 3-10 |
| Creating the next Solid Feature | 3-11 |
| Creating a Subtract Feature | 3-14 |
| Creating a Placed Feature | 3-17 |
| Creating a Rectangular Subtract Feature | 3-20 |
| Questions | 3-23 |
| Exercises | 3-24 |

Chapter 4

Model History Tree

| | |
|-----------------------------------------|------|
| Introduction | 4-2 |
| The <i>Saddle Bracket</i> Design | 4-3 |
| Starting <i>UGS NX 4</i> | 4-3 |
| Modeling Strategy | 4-4 |
| Creating the Base Feature | 4-7 |
| The <i>UGS NX Part Navigator</i> | 4-8 |
| Creating the Second Solid Feature | 4-9 |
| Using More Meaningful Feature Names | 4-13 |
| Adjusting the Width of the Base Feature | 4-14 |
| Adding a Placed Feature | 4-16 |
| Creating a Rectangular Subtract Feature | 4-18 |
| History-based Part Modifications | 4-22 |
| A Design Change | 4-23 |
| Questions | 4-25 |
| Exercises | 4-26 |

Chapter 5 Parametric Constraints Fundamentals

| | |
|------------------------------------------------|------|
| The <i>BORN</i> Technique | 5-2 |
| CONSTRAINTS and RELATIONS | 5-2 |
| Fully Constrained Geometry | 5-3 |
| Create a Simple <i>Triangular Plate</i> Design | 5-3 |
| Starting <i>UGS NX 4</i> | 5-4 |
| Displaying Existing Constraints | 5-6 |
| Applying Geometric Constraints Implicitly | 5-8 |
| Applying Geometric Constraints Explicitly | 5-9 |
| Adding Dimensional Constraints | 5-11 |
| A Fully Constrained Sketch | 5-13 |
| Over-constraining 2D sketches | 5-15 |
| Deleting Existing Constraints and Dimensions | 5-17 |
| 2D Sketches with Multiple Loops | 5-20 |
| Inferred Constraint Settings | 5-22 |
| Parametric Relations | 5-23 |
| Dimensional Values and Dimensional Variables | 5-24 |
| Questions | 5-26 |
| Exercises | 5-27 |

Chapter 6 Geometric Construction Tools

| | |
|-------------------------------------------------|------|
| Introduction | 6-2 |
| The <i>Gasket</i> Design | 6-2 |
| Modeling Strategy | 6-3 |
| Starting <i>UGS NX 4</i> | 6-4 |
| Editing the Sketch by Dragging the Entities | 6-7 |
| Adding Additional Constraints | 6-9 |
| First Construction Method – Trim/Extend | 6-10 |
| Creating Fillets and Completing the Sketch | 6-13 |
| Completing the Extrusion Feature | 6-14 |
| Second Construction Method – Haystack Geometry | 6-15 |
| Using the <i>UGS NX</i> Selection Intent option | 6-18 |
| Create an Associative OFFSET Cut Feature | 6-19 |
| Questions | 6-24 |
| Exercises | 6-25 |

Chapter 7

Parent/Child Relationships

| | |
|--------------------------------------------------|------|
| Introduction | 7-2 |
| The <i>U-Bracket</i> Design | 7-3 |
| Creating the Base Feature | 7-4 |
| Completing the Base feature | 7-7 |
| The Implied Parent/Child Relationships | 7-8 |
| Creating the Second Solid Feature | 7-9 |
| Fully Constraining the Sketch | 7-11 |
| Completing the Extrude Feature | 7-13 |
| Creating a Subtract Feature | 7-14 |
| Another Subtract Feature | 7-15 |
| Examining the Parent/Child Relationships | 7-16 |
| A Design Change | 7-17 |
| Feature Suppression | 7-18 |
| A Different Approach to the CENTER_DRILL feature | 7-20 |
| Examining the Parent/Child Relationships | 7-22 |
| Suppress the Rect_Cut feature | 7-23 |
| Creating a Hole Feature | 7-24 |
| A Flexible Design Approach | 7-26 |
| Questions | 7-27 |
| Exercises | 7-28 |

Chapter 8

Part Drawings and Associative Functionality

| | |
|----------------------------------------------------------|------|
| Drawings from Parts and Associative Functionality | 8-2 |
| Starting <i>UGS NX 4</i> | 8-3 |
| Drawing Mode – 2D Paper Space | 8-3 |
| <i>UGS NX</i> Drafting Mode | 8-4 |
| Adding a Base View | 8-5 |
| Drawing Display Option | 8-7 |
| Changing the Size of the Drawing Sheet | 8-7 |
| Turning Off the Datum Planes and WCS | 8-9 |
| Displaying Feature Dimensions | 8-11 |
| Adjusting the display of Tangency Edges | 8-14 |
| Blanking Feature Dimensions | 8-15 |
| UnBlanking the Blanked Dimensions | 8-16 |
| Deleting Feature Dimensions | 8-17 |
| Adding Center Marks and Center Lines | 8-18 |
| Adding Additional Dimensions – Reference Dimensions | 8-20 |
| Changing the Dimension Appearance | 8-21 |
| Associative Functionality – Modifying Feature Dimensions | 8-22 |
| Questions | 8-25 |
| Exercises | 8-26 |

Chapter 9 Datum Features and Auxiliary Views

| | |
|-------------------------------------------------------------|------|
| Datum Features | 9-2 |
| Auxiliary Views in 2D Drawings | 9-2 |
| The <i>Rod-Guide</i> Design | 9-2 |
| Modeling Strategy | 9-3 |
| Starting <i>UGS NX</i> | 9-4 |
| Creating the Base Feature | 9-5 |
| Creating Datum Axes and an Angled Datum Plane | 9-8 |
| Creating an Extruded Feature using the Datum Plane | 9-10 |
| Apply Proper Constraints | 9-11 |
| Creating an Offset Datum Plane | 9-14 |
| Creating another Subtract Feature using the New Datum Plane | 9-15 |
| Creating a Title Block Template | 9-17 |
| Using the Export File Command | 9-21 |
| Reopen the <i>Rod Guide</i> Design | 9-22 |
| Importing the Title Block | 9-23 |
| Adding a Base View | 9-24 |
| Creating an Auxiliary View | 9-25 |
| Turning Off the Datum Planes and WCS | 9-26 |
| Creating another Base View | 9-28 |
| Drawing Display Option | 9-29 |
| Displaying Feature Dimensions | 9-30 |
| Delete and Adding Dimensions | 9-32 |
| Questions | 9-33 |
| Exercises | 9-34 |

Chapter 10 Symmetrical Features in Designs

| | |
|----------------------------------------------|-------|
| Introduction | 10-2 |
| A Revolved Design: <i>Pulley</i> | 10-2 |
| Modeling Strategy – A Revolved Design | 10-3 |
| Starting <i>UGS NX 4</i> | 10-4 |
| Completing the Sketch and Create the Feature | 10-6 |
| Mirroring Features | 10-8 |
| Creating a Pattern Leader | 10-11 |
| Circular Array | 10-13 |
| Create a New Drawing in the Drafting Mode | 10-15 |
| Importing the Title Block | 10-15 |
| Creating 2D Views | 10-16 |
| Adding a Section View | 10-17 |
| Turning Off the Datum Features | 10-18 |
| Using the Selection Filter | 10-19 |
| Adding Dimensions | 10-21 |

| | |
|---------------------------------------------|-------|
| Adjusting the Display of the Views | 10-23 |
| Associative Functionality – A Design Change | 10-25 |
| Questions | 10-29 |
| Exercises | 10-30 |

Chapter 11

Advanced 3D Construction Tools

| | |
|------------------------------------------------|-------|
| Introduction | 11-2 |
| A Thin-Walled Design: <i>Dryer Housing</i> | 11-2 |
| Modeling Strategy | 11-3 |
| Starting <i>UGS NX 4</i> | 11-4 |
| Creating the 2-D Sketch for the Base Feature | 11-5 |
| Create a Revolved Feature | 11-7 |
| Creating the Handle section | 11-8 |
| Creating an Swept Feature | 11-10 |
| Create the First Set of 3D Rounds and Fillets | 11-14 |
| Create the Second Set of 3D Rounds and Fillets | 11-16 |
| Creating a Shell Feature | 11-17 |
| Create a Pattern Leader | 11-18 |
| Creating a Rectangular Array | 11-22 |
| Creating a Swept Subtract Feature | 11-24 |
| Define the Sweep Section | 11-24 |
| Completing the Swept Feature | 11-26 |
| Questions | 11-28 |
| Exercises | 11-29 |

Chapter 12

Assembly Modeling - Putting It All Together

| | |
|---------------------------------------------|-------|
| Introduction | 12-2 |
| The <i>Shaft Support</i> Assembly | 12-2 |
| Assembly Modeling Methodology | 12-3 |
| Additional Parts | 12-4 |
| (1) <i>Collar</i> | 12-4 |
| (2) <i>Bearing</i> | 12-4 |
| (3) <i>Base-Plate</i> | 12-5 |
| (4) <i>Cap-Screw</i> | 12-5 |
| Starting <i>UGS NX 4</i> | 12-6 |
| Placing the First Component | 12-7 |
| Placing the Second Component | 12-8 |
| Degrees of Freedom and Assembly Constraints | 12-9 |
| Apply the First Assembly Constraint | 12-13 |
| Apply an Align Constraint | 12-14 |
| Constrained Move | 12-16 |

| | |
|-----------------------------------------|-------|
| Apply another Mate Constraint | 12-17 |
| Placing the Third Component | 12-19 |
| Assemble the First Cap-Screw | 12-22 |
| Placing the Second Cap-Screw part | 12-25 |
| Exploded View of the Assembly | 12-26 |
| Switching the Exploded/Unexploded Views | 12-28 |
| Editing the Components | 12-29 |
| Setup a Drawing of the Assembly Model | 12-32 |
| Importing the Title Block | 12-32 |
| Creating a Parts List | 12-34 |
| Completing the Assembly Drawing | 12-34 |
| Conclusion | 12-36 |
| Summary of Modeling Considerations | 12-36 |
| Questions | 12-37 |
| Exercises | 12-38 |

Index

Notes: