

INSIDE:

Tutorial
Model Files

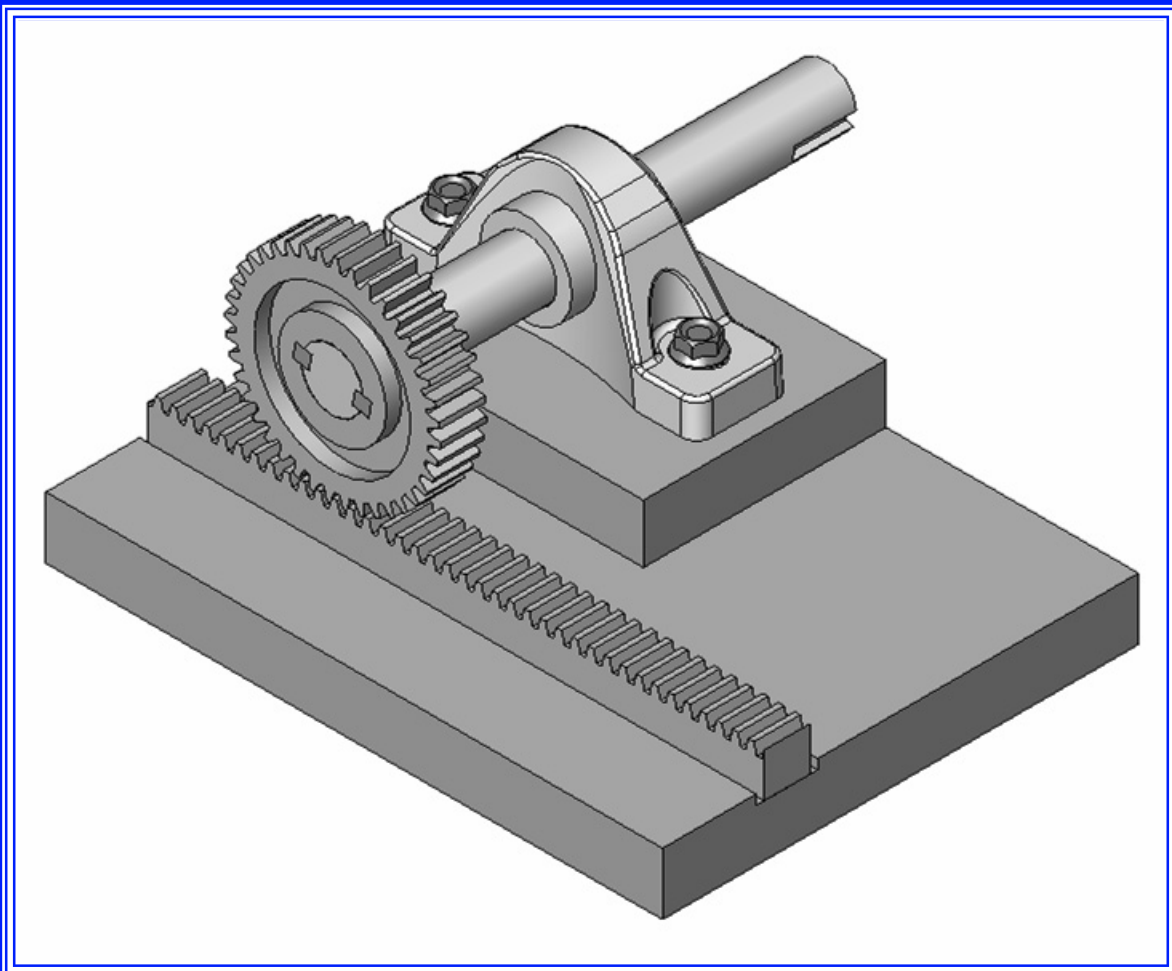


on CD

A Commands Guide Tutorial for SolidWorks 2007

A Reference Guide with over 200 integrated stand-alone tutorials

David C. Planchard & Marie P. Planchard



SDC
PUBLICATIONS

Schroff Development Corporation

www.schroff.com
www.schroff-europe.com

The SolidWorks logo, consisting of a stylized 'S' and 'W' followed by the text 'SolidWorks'.

Solution
Partner

TABLE OF CONTENTS

| | |
|---|------------|
| Introduction | I-1 |
| About the Book | I-2 |
| About the Authors | I-2 |
| Dedication | I-3 |
| Contact the Authors | I-3 |
| References | I-4 |
| Table of Contents | I-5 |
| Command Syntax | I-13 |
| Windows Terminology in SolidWorks | I-14 |
| | |
| Chapter 1 – Quick Start | 1-1 |
| Chapter Objective | 1-1 |
| What is SolidWorks? | 1-2 |
| Basic Concepts in SolidWorks | 1-2 |
| Starting a SolidWorks Session | 1-4 |
| SolidWorks User Interface (UI) and CommandManager | 1-5 |
| SolidWorks Resources | 1-5 |
| Design Library | 1-5 |
| File Explorer | 1-6 |
| Search | 1-6 |
| View Palette | 1-7 |
| Auto Recovery | 1-7 |
| PhotoWorks | 1-7 |
| Drop-Down Menu | 1-7 |
| Fly-out FeatureManager | 1-8 |
| Right-click Pop-up menu | 1-8 |
| FeatureManager Design Tree | 1-8 |
| System Feedback icons | 1-9 |
| Confirmation Corner | 1-10 |
| View Toolbar | 1-10 |
| Create New Parts | 1-10 |
| Create the Axle Part | 1-11 |
| Create the Flatbar Part | 1-16 |
| Create an Assembly | 1-20 |
| Insert Components | 1-22 |
| Insert Mates | 1-23 |
| Create a New Assembly Drawing | 1-26 |
| Insert four standard views | 1-27 |
| Insert a Bill of Materials | 1-29 |
| Summary | 1-29 |
| | |
| Chapter 2 – System Options | 2-1 |
| Chapter Objective | 2-1 |
| System Options | 2-1 |
| General | 2-2 |
| Drawings | 2-5 |
| Display Style | 2-7 |
| Area Hatch/Fill | 2-9 |
| Colors | 2-9 |
| Sketch | 2-11 |
| Relations/Snaps | 2-13 |
| Display/Selection | 2-15 |
| Performance | 2-18 |

A Commands Guide Tutorial for SolidWorks 2007

| | |
|--|------------|
| Assemblies | 2-21 |
| External References | 2-22 |
| Default Templates | 2-24 |
| File Locations | 2-25 |
| FeatureManager | 2-27 |
| Spin Box Increments | 2-28 |
| View Rotation | 2-28 |
| Backup/Recover | 2-29 |
| Hole Wizard/Toolbox | 2-30 |
| File Explorer | 2-31 |
| Search | 2-31 |
| Collaboration | 2-32 |
| Summary | 2-32 |
| Chapter 3 – Document Properties | 3-1 |
| Chapter Objective | 3-1 |
| Document Properties / Templates | 3-1 |
| Detailing | 3-2 |
| Dimensions | 3-5 |
| Notes | 3-9 |
| Balloons | 3-10 |
| Arrows | 3-12 |
| Annotation Display | 3-13 |
| Annotations Font | 3-15 |
| Grid/Snap | 3-15 |
| Units | 3-16 |
| Colors | 3-18 |
| Material Properties | 3-18 |
| Image Quality | 3-19 |
| Plane Display | 3-20 |
| Summary | 3-23 |
| Chapter 4 – Sketching and Sketch Entities | 4-1 |
| Chapter Objective | 4-1 |
| Design Intent | 4-2 |
| Design Intent in a Sketch | 4-2 |
| Design Intent in a Feature | 4-3 |
| Design Intent in a Part | 4-3 |
| Design Intent in an Assembly | 4-4 |
| Design Intent in a Drawing | 4-4 |
| SolidWorks Design Intent tools | 4-4 |
| Comments | 4-4 |
| Design Binder | 4-5 |
| ConfigurationManager | 4-5 |
| Dimensions | 4-5 |
| Equations | 4-5 |
| Design Tables | 4-6 |
| Features | 4-6 |
| Sketching / Reference Planes | 4-6 |
| 2D Sketching / Reference Planes | 4-7 |
| 3D Sketching / Reference Planes | 4-9 |
| Plane Tool | 4-10 |
| Parent/Child Relationship | 4-13 |
| Sketch States | 4-14 |
| Sketch Entities | 4-15 |
| Line Sketch | 4-15 |

| | |
|--|------------|
| Rectangle Sketch | 4-16 |
| Parallelogram Sketch | 4-16 |
| Polygon Sketch | 4-17 |
| Route Line Sketch | 4-19 |
| Belt/Chain Sketch | 4-22 |
| Blocks | 4-23 |
| Blocks Toolbar | 4-23 |
| Circle Sketch | 4-26 |
| Perimeter Circle Sketch | 4-27 |
| Centerpoint Arc Sketch | 4-28 |
| Tangent Arc Sketch | 4-29 |
| 3 Point Arc Sketch | 4-30 |
| Ellipse Sketch | 4-31 |
| Partial Ellipse Sketch | 4-32 |
| Parabola Sketch | 4-33 |
| Spline Sketch | 4-34 |
| Spline Toolbar | 4-36 |
| Spline on Surface Entity | 4-41 |
| Point Sketch | 4-41 |
| Centerline Sketch | 4-42 |
| Text Sketch | 4-43 |
| Plane Sketch | 4-45 |
| Summary | 4-47 |
| | |
| Chapter 5 – Sketch Tools, Geometric Relations, and Dimensions/Relations tools | 5-1 |
| Chapter Objective | 5-1 |
| Sketch Tools | 5-2 |
| Sketch Fillet | 5-2 |
| Sketch Chamfer | 5-5 |
| Offset Entities | 5-7 |
| Convert Entities | 5-9 |
| Intersection Curve | 5-10 |
| Face Curves | 5-12 |
| Trim Entities | 5-14 |
| Extend Entities | 5-16 |
| Split Entities | 5-16 |
| Construction Geometry | 5-17 |
| Jog Line | 5-18 |
| Make Path | 5-19 |
| Mirror | 5-21 |
| Dynamic Mirror | 5-22 |
| Move | 5-23 |
| Copy | 5-25 |
| Scale | 5-26 |
| Rotate | 5-27 |
| Linear Pattern | 5-28 |
| Circular Pattern | 5-31 |
| SketchXpert | 5-33 |
| Align | 5-36 |
| Sketch | 5-36 |
| Align Grid/Origin | 5-36 |
| Custom Menu | 5-37 |
| Modify | 5-38 |
| 2D to 3D Sketch Tool | 5-40 |
| Creates Sketch from Selections | 5-43 |
| Repair | 5-43 |

A Commands Guide Tutorial for SolidWorks 2007

| | |
|---|------------|
| Sketch Picture | 5-45 |
| Geometric Relations 2D Sketches | 5-46 |
| Automatic Relations | 5-47 |
| Manual Relations | 5-48 |
| Geometric Relations in 3D Sketches | 5-50 |
| 3D Sketch Relations | 5-51 |
| Dimension/Relations Toolbar | 5-52 |
| Smart Dimension | 5-52 |
| Horizontal Dimension | 5-55 |
| Vertical Dimension | 5-55 |
| Baseline Dimension | 5-56 |
| Ordinate Dimension | 5-57 |
| Horizontal Ordinate Dimension | 5-58 |
| Vertical Ordinate Dimension | 5-58 |
| Chamfer Dimension | 5-59 |
| Autodimension Dimension | 5-60 |
| Add Relation | 5-62 |
| Display/Delete Relations Dimension | 5-64 |
| Fully Defined | 5-66 |
| Summary | 5-68 |
| Chapter 6 – Extruded Boss, Extruded Cut, and Fillet Features | 6-1 |
| Chapter Objective | 6-1 |
| Extruded Features | 6-1 |
| Extruded Boss/Base Feature | 6-2 |
| Detailed Preview PropertyManager | 6-10 |
| Extruded Cut Feature | 6-13 |
| Extruded Solid Thin Feature | 6-22 |
| Extruded Surface Feature | 6-23 |
| Cut With Surface Feature | 6-27 |
| Fillets in General | 6-30 |
| Fillet Feature | 6-31 |
| Fillet PropertyManager: Manual Tab | 6-31 |
| Control Points | 6-34 |
| FilletXpert PropertyManager | 6-39 |
| FilletXpert PropertyManager: Add Tab | 6-39 |
| FilletXpert PropertyManager: Change Tab | 6-40 |
| Summary | 6-42 |
| Chapter 7 – Revolved, Hole, and Dome Features | 7-1 |
| Chapter Objective | 7-1 |
| Revolved Boss/Base Feature | 7-1 |
| Revolved Cut Feature | 7-7 |
| Revolved Boss Thin Feature | 7-11 |
| Revolved Surface Feature | 7-12 |
| Simple Hole Feature | 7-14 |
| Hole Wizard Feature | 7-17 |
| Dome Feature | 7-22 |
| Summary | 7-24 |
| Chapter 8 – Shell, Draft, and Rib Features | 8-1 |
| Chapter Objective | 8-1 |
| Shell Feature | 8-1 |
| Draft Feature | 8-4 |
| Draft PropertyManager | 8-5 |

| | |
|---|-------------|
| Draft PropertyManager: Manual Tab | 8-5 |
| DraftXpert PropertyManager: Add/Change Tab | 8-8 |
| Draft Analysis | 8-11 |
| Rib Feature | 8-14 |
| Detailed Preview PropertyManager | 8-16 |
| Summary | 8-19 |
| Chapter 9 – Pattern and Mirror Features | 9-1 |
| Chapter Objective | 9-1 |
| Linear Pattern Feature | 9-1 |
| Circular Pattern Feature | 9-8 |
| Curve Driven Pattern Feature | 9-12 |
| Table Driven Pattern Feature | 9-15 |
| Coordinate System PropertyManager | 9-17 |
| Fill Pattern Feature | 9-20 |
| Mirror Feature | 9-24 |
| Summary | 9-27 |
| Chapter 10 – Sweep and Loft Features | 10-1 |
| Chapter Objective | 10-1 |
| Sweep Feature | 10-1 |
| Sweep Boss/Base Feature | 10-2 |
| Sweep Thin Feature | 10-7 |
| Sweep Cut Feature | 10-11 |
| Loft Feature | 10-13 |
| Loft Cut Feature | 10-23 |
| Adding A Loft Section | 10-24 |
| Summary | 10-25 |
| Chapter 11 – Bottom-Up Assembly Modeling | 11-1 |
| Chapter Objective | 11-1 |
| Bottom-Up Assembly Modeling technique | 11-2 |
| Assembly Task List - Before you begin | 11-3 |
| Assembly Templates | 11-3 |
| Assembly FeatureManager and Component States | 11-4 |
| Comparison of Component States | 11-6 |
| Creating Mates | 11-7 |
| Standard and Advance Mates | 11-8 |
| SmartMates | 11-13 |
| Types of SmartMates | 11-13 |
| Mate References | 11-16 |
| Mate Diagnostics/MateXpert | 11-19 |
| Measure Function | 11-22 |
| Design Library | 11-24 |
| Working with Design Library Contents | 11-25 |
| Summary | 11-26 |
| Chapter 12 – Top-Down Assembly Modeling | 12-1 |
| Chapter Objective | 12-1 |
| Top-Down Assembly Modeling technique | 12-2 |
| Assembly Methods | 12-2 |
| Individual features method | 12-2 |
| An entire assembly method | 12-2 |
| Complete parts | 12-2 |
| Assembly Toolbar | 12-3 |
| Insert Component | 12-3 |

A Commands Guide Tutorial for SolidWorks 2007

| | |
|--|-------------|
| Hide/Show Components | 12-8 |
| Change Suppression State | 12-8 |
| Edit Component | 12-10 |
| No External References | 12-11 |
| Mate | 12-12 |
| Move Component | 12-15 |
| Rotate Component | 12-17 |
| Smart Fasteners | 12-18 |
| Exploded View | 12-22 |
| Explode Line Sketch | 12-24 |
| Interference Detection | 12-26 |
| Simulation | 12-29 |
| Simulation / Rotary Motor | 12-30 |
| Simulation / Linear Spring | 12-30 |
| Simulation / Gravity | 12-30 |
| Configurations | 12-32 |
| Manual Configurations | 12-32 |
| Automatic Configurations | 12-37 |
| Equations | 12-40 |
| Equations tool | 12-42 |
| Summary | 12-45 |
| | |
| Chapter 13 – Drawings and eDrawings | 13-1 |
| Chapter Objective | 13-1 |
| Drawings | 13-1 |
| Sheet Format, Size, and Properties | 13-2 |
| View Palette | 13-4 |
| Drawing Toolbar | 13-5 |
| Model View | 13-6 |
| Projected View | 13-10 |
| Auxiliary View | 13-13 |
| Section View | 13-16 |
| Aligned Section View | 13-20 |
| Detail View | 13-22 |
| Standard 3 Views | 13-26 |
| Broken-out Section | 13-27 |
| Break | 13-28 |
| Crop | 13-29 |
| Alternate Position View | 13-31 |
| Annotations Toolbar | 13-32 |
| Smart Dimension | 13-33 |
| Model Items | 13-35 |
| AutoDimension | 13-37 |
| Note | 13-39 |
| Spell Checker | 13-43 |
| Balloon | 13-44 |
| Auto Balloon | 13-46 |
| Surface Finish | 13-48 |
| Weld Symbol | 13-51 |
| Geometric Tolerance | 13-53 |
| Datum Feature | 13-56 |
| Datum Target | 13-58 |
| Hole Callout | 13-59 |
| Revision Symbol | 13-60 |
| Area Hatch/Fill | 13-61 |
| Block | 13-63 |

| | |
|--|-------------|
| Center Mark | 13-63 |
| Centerline | 13-65 |
| Tables/General | 13-66 |
| Tables/Hole | 13-67 |
| Tables/Bill of Materials | 13-68 |
| Revision Table | 13-70 |
| eDrawings | 13-71 |
| eDrawings Toolbar | 13-71 |
| Publish eDrawings 2007 File | 13-71 |
| Animate with eDrawings 2007 | 13-72 |
| Line Formats Toolbar | 13-73 |
| Layer Properties | 13-73 |
| Line Color | 13-74 |
| Line Thickness | 13-74 |
| Line Style | 13-75 |
| Hidden Edge | 13-75 |
| Show Edge | 13-75 |
| Color Display Mode | 13-75 |
| Summary | 13-75 |
| | |
| Chapter 14 – Sheet Metal and COSMOSXpress | 14-1 |
| Chapter Objective | 14-1 |
| Sheet Metal | 14-1 |
| Sheet Metal Toolbar | 14-2 |
| Base-Flange/Tab | 14-2 |
| Edge Flange | 14-5 |
| Miter Flange | 14-9 |
| Hem | 14-11 |
| Sketch Bend | 14-13 |
| Closed Corner | 14-15 |
| Jog | 14-17 |
| Break-Corner/Corner Trim | 14-19 |
| Lofted Bend | 14-20 |
| Simple Hole | 14-22 |
| Unfold | 14-23 |
| Fold | 14-24 |
| Flatten | 14-25 |
| No Bends | 14-27 |
| Insert Bends | 14-27 |
| Rip | 14-29 |
| Vent | 14-30 |
| Sheet Metal Library Feature | 14-33 |
| Forming | 14-33 |
| COSMOSXpress | 14-34 |
| COSMOSXpress User Interface | 14-34 |
| Summary | 14-40 |
| | |
| Chapter 15 – PhotoWorks | 15-1 |
| Chapter Objective | 15-1 |
| PhotoWorks Toolbar | 15-1 |
| PhotoWorks Studio | 15-2 |
| Preview | 15-3 |
| Render | 15-3 |
| Render Area | 15-3 |
| Render Last Area | 15-3 |
| Render Selection | 15-4 |

A Commands Guide Tutorial for SolidWorks 2007

| | |
|----------------|-------|
| Render to File | 15-4 |
| Material | 15-4 |
| Scene | 15-8 |
| New Decal | 15-9 |
| Cut | 15-13 |
| Copy | 15-13 |
| Paste | 15-13 |
| Options | 15-14 |
| Summary | 15-14 |

Appendix

| | |
|---|-----|
| Types of Decimal Dimensions ASME Y14.5M | A-1 |
| SolidWorks Keyboard Shortcuts | A-2 |
| Helpful On-Line Information | A-3 |

Index