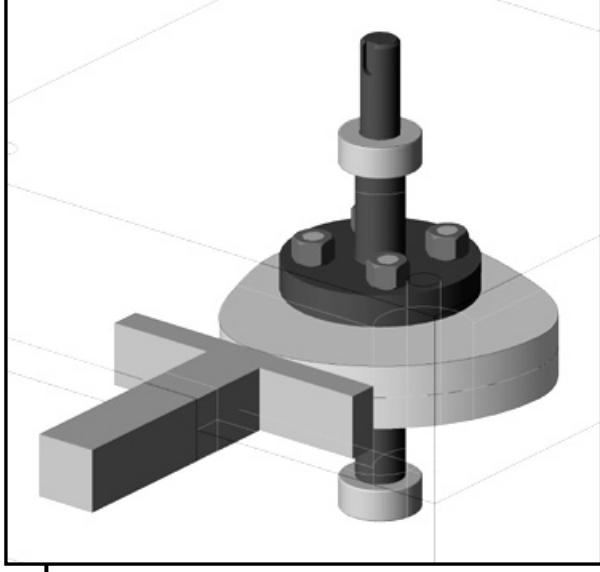
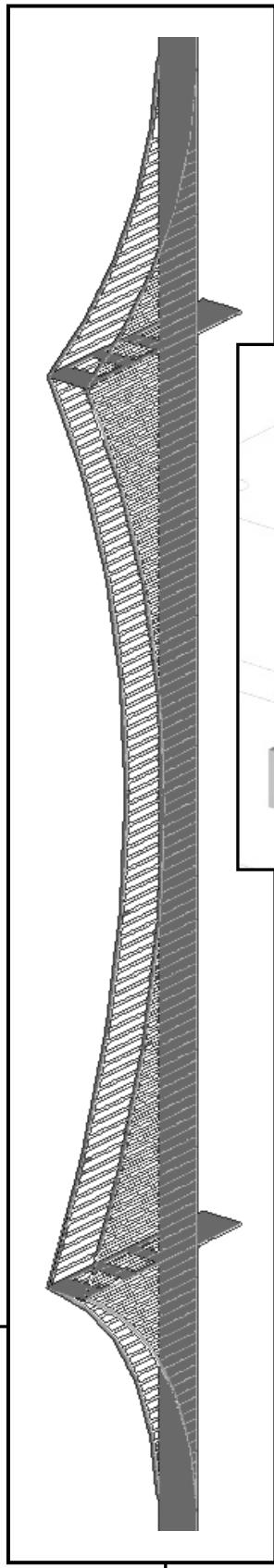


Modeling Using Pro | ENGINEER W I L D F I R E 3.0

Sridhar Condoor





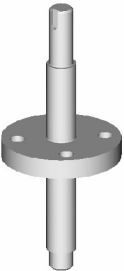
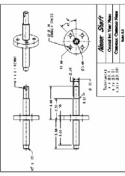
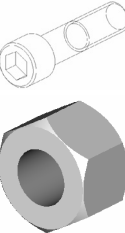
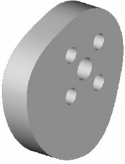

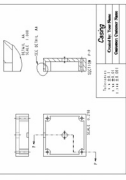
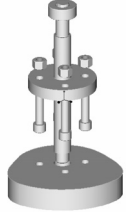
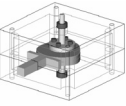
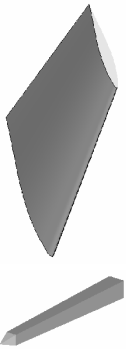

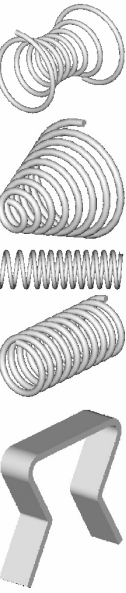
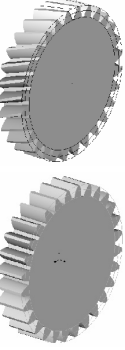
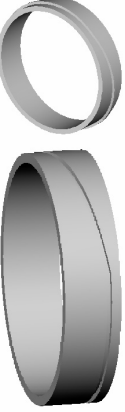




SDC
PUBLICATIONS

Schroff Development Corporation

www.schroff.com
www.schroff-europe.com

TABLE OF CONTENTS

<p>1. Introduction</p>	<p>2. Bearing</p> 	<p>3. Bearings</p> 
<p>4. Bushing</p> 	<p>5. Retaining Ring</p> 	<p>6. Shaft</p> 
<p>7. Shaft Drawing</p> 	<p>8. Nuts and Bolts</p> 	<p>9. Radial Plate Cam</p> 
<p>10. Housing</p>  	<p>11. Cam Assembly</p> 	<p>12. Cam Follower Assembly</p> 
<p>13. Washington Monument and Wing</p> 	<p>14. Gateway Arch</p> 	<p>15. Springs</p> 
<p>16. Spur and Helical Gears</p> 	<p>17. Axial Cam</p> 	<p>18. Grooved Cam</p> 
<p>19. Bolt Heads</p> 	<p>20. Electrical Fuse Assembly</p> 