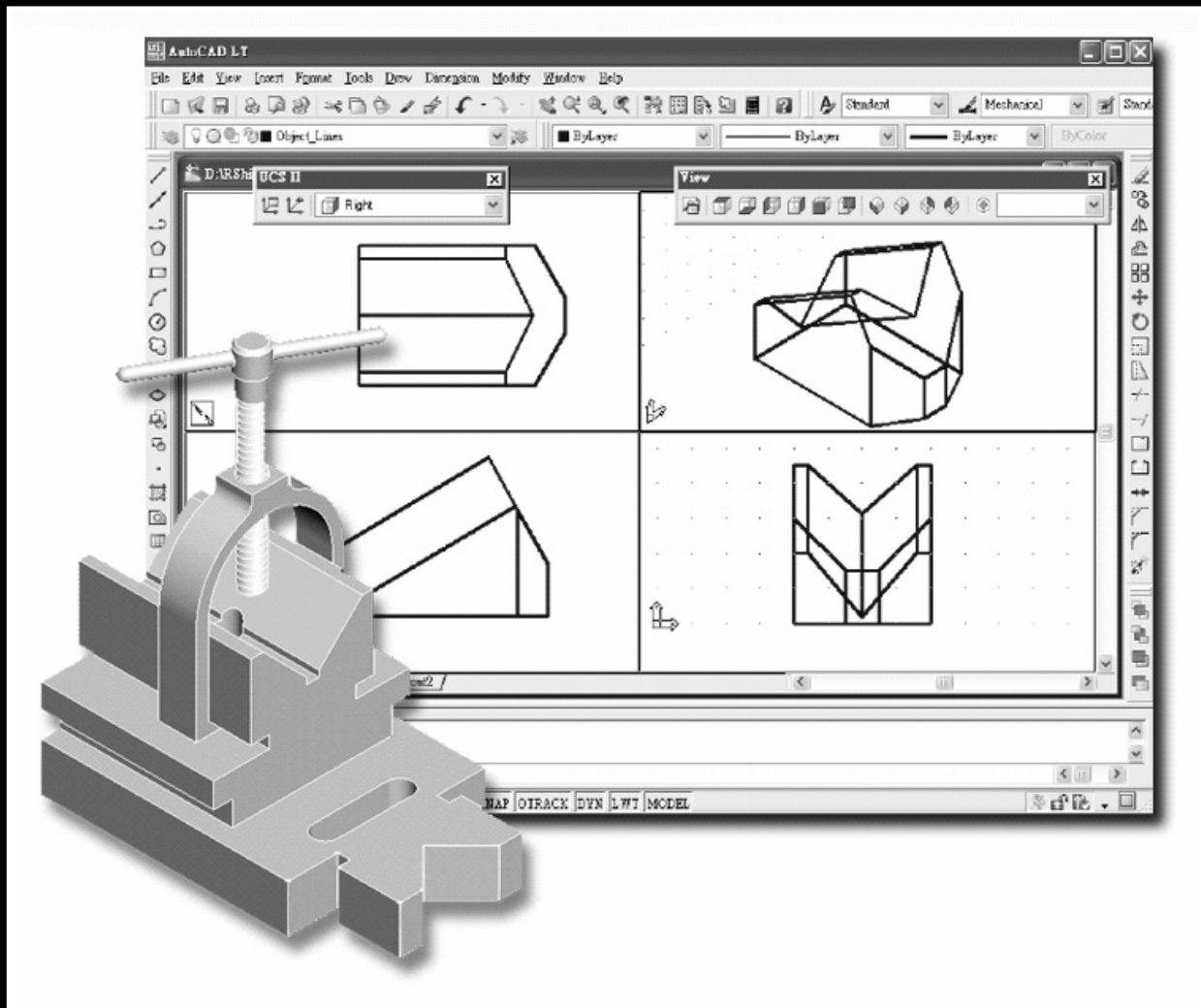


# AutoCAD® LT 2007 Tutorial



**Randy H. Shih**  
*Oregon Institute of Technology*

**SDC**  
PUBLICATIONS

**Schroff Development Corporation**

[www.schroff.com](http://www.schroff.com)  
[www.schroff-europe.com](http://www.schroff-europe.com)

# Table of Contents

## Preface

## Acknowledgments

## Introduction

|                                       |          |
|---------------------------------------|----------|
| Introduction                          | Intro-2  |
| Development of Computer Aided Design  | Intro-2  |
| Why use AutoCAD® LT 2007              | Intro-5  |
| Getting started with AutoCAD® LT 2007 | Intro-7  |
| AutoCAD® LT 2007 Screen Layout        | Intro-8  |
| Mouse Buttons                         | Intro-10 |
| [Esc] - Canceling commands            | Intro-11 |
| On-Line Help                          | Intro-11 |
| Leaving AutoCAD® LT 2007              | Intro-12 |
| Creating a CAD files folder           | Intro-13 |

## Lesson 1

## Geometric Construction Basics

|   |      |
|---|------|
| Introduction                                    | 1-2  |
| Starting Up AutoCAD® LT 2007                    | 1-2  |
| Drawing Units Setup                             | 1-4  |
| Drawing Area Setup                              | 1-5  |
| Using the <i>LINE</i> command                   | 1-6  |
| Visual reference                                | 1-10 |
| <i>GRID</i> ON                                  | 1-10 |
| <i>DYN</i> OFF                                  | 1-11 |
| <i>SNAP</i> ON                                  | 1-11 |
| Using the <i>ERASER</i>                         | 1-13 |
| Repeat the last command                         | 1-14 |
| The CAD Database and the User Coordinate System | 1-15 |
| Changing to the 2D UCS icon Display             | 1-16 |
| Cartesian and Polar Coordinate Systems          | 1-17 |
| Absolute and Relative coordinates               | 1-17 |
| Defining Positions                              | 1-18 |
| The <i>Guide Plate</i>                          | 1-18 |
| Creating <i>Circles</i>                         | 1-22 |
| Save the CAD file                               | 1-24 |
| Exit AutoCAD LT                                 | 1-25 |
| Questions                                       | 1-26 |
| Exercises                                       | 1-27 |

## Lesson 2

### Construction and Editing Tools

|   |      |
|---|------|
| Introduction                                | 2-2  |
| Starting Up AutoCAD LT 2007                 | 2-3  |
| Dynamic Input                               | 2-3  |
| The Gasket Design                           | 2-6  |
| Drawing Units Setup                         | 2-7  |
| <i>GRID</i> and <i>SNAP</i> intervals Setup | 2-8  |
| Using the <i>LINE</i> command               | 2-9  |
| <i>Toolbar</i> List                         | 2-10 |
| Using the <i>EXTEND</i> Command             | 2-14 |
| Using the <i>TRIM</i> Command               | 2-15 |
| Creating a <i>TTR</i> circle                | 2-16 |
| Using the <i>FILLET</i> command             | 2-17 |
| Converting objects into a <i>Polyline</i>   | 2-18 |
| Using the <i>OFFSET</i> command             | 2-19 |
| Using the <i>EXPLODE</i> command            | 2-20 |
| Create another <i>FILLET</i>                | 2-20 |
| Save the CAD file                           | 2-21 |
| Exit AutoCAD                                | 2-21 |
| Questions                                   | 2-22 |
| Exercises                                   | 2-23 |

## Lesson 3

### Object Properties and Organization

|  |      |
|--|------|
| Introduction                                       | 3-2  |
| <i>Floor Plan Design</i>                           | 3-2  |
| Starting Up AutoCAD® LT 2007                       | 3-3  |
| Using the Setup wizard                             | 3-3  |
| Drawing Units Setup                                | 3-4  |
| Reference Drawing Area Setup                       | 3-5  |
| <i>GRID</i> and <i>SNAP</i> intervals Setup        | 3-6  |
| Using the <i>ZOOM ALL</i> command                  | 3-7  |
| The AutoCAD LT <i>DOUBLE LINE</i> command          | 3-7  |
| Setting the Offset distance of <i>Double Lines</i> | 3-8  |
| Setting the Appearance of Endpoints                | 3-8  |
| Controlling Placement of <i>Double Lines</i>       | 3-9  |
| The <i>DLINE</i> Break option                      | 3-9  |
| Drawing <i>Double Lines</i>                        | 3-10 |
| Display the Object Snap Toolbar                    | 3-11 |
| Controlling the Appearance of Intersections        | 3-11 |
| Creating interior walls                            | 3-12 |
| Using <i>Layers</i> and Object Properties          | 3-16 |

|                                     |      |
|-------------------------------------|------|
| Using <i>ZOOM REALTIME</i>          | 3-19 |
| Modeling the Bathroom               | 3-20 |
| Controlling <i>Layer Visibility</i> | 3-22 |
| Adding another New Layer            | 3-22 |
| Moving objects to a different layer | 3-23 |
| Questions                           | 3-25 |
| Exercises                           | 3-26 |

## Lesson 4

### Orthographic Views in Multiview Drawings

|  |      |
|--|------|
| Introduction                                 | 4-2  |
| The LOCATOR Design                           | 4-2  |
| The LOCATOR Part                             | 4-3  |
| Starting Up AutoCAD® LT 2007                 | 4-3  |
| <i>GRID</i> and <i>SNAP</i> intervals Setup  | 4-4  |
| <i>Layers</i> setup                          | 4-5  |
| Drawing <i>Construction Lines</i>            | 4-6  |
| Using the <i>OFFSET</i> command              | 4-6  |
| Set Layer <i>Object</i> as the current layer | 4-8  |
| Using the <i>Running Object Snaps</i>        | 4-8  |
| Creating <i>Object lines</i>                 | 4-10 |
| Turn <i>OFF</i> the construction Lines       | 4-11 |
| Adding more objects in the Front View        | 4-11 |
| The AutoSnap™ and AutoTrack™ features        | 4-12 |
| Adding more objects in the Top View          | 4-14 |
| Drawing a <i>Miter Line</i>                  | 4-18 |
| More <i>Layers</i> setup                     | 4-20 |
| Top View to Side View Projection             | 4-21 |
| Completing the Front View                    | 4-23 |
| Saving the CAD file                          | 4-25 |
| Questions                                    | 4-26 |
| Exercises                                    | 4-27 |

## Lesson 5

### Basic Dimensioning and Notes

|   |     |
|---|-----|
| Introduction  | 5-2 |
| The Bracket Design  | 5-2 |
| Starting Up AutoCAD® LT 2007                              | 5-3 |
| Change the Background Color of the Layout Graphics window | 5-4 |
| <i>GRID</i> and <i>SNAP</i> intervals Setup               | 5-5 |
| <i>Layers</i> setup                                       | 5-6 |
| The Bracket Design  | 5-7 |

|   |      |
|---|------|
| Drawing Construction Lines                                | 5-8  |
| Using the <i>OFFSET</i> command                           | 5-8  |
| Set Layer <i>Object_Lines</i> as the <i>current layer</i> | 5-10 |
| Creating Object lines                                     | 5-10 |
| Creating Hidden lines                                     | 5-11 |
| Creating Center lines                                     | 5-12 |
| Turn <i>OFF</i> the Construction Lines                    | 5-12 |
| Using the <i>FILLET</i> command                           | 5-13 |
| Saving the CAD file                                       | 5-14 |
| The <i>Dimension toolbar</i>                              | 5-15 |
| Using <i>Dimension Style Manager</i>                      | 5-15 |
| Dimensions Nomenclature and Basics                        | 5-16 |
| Using the <i>Center Mark</i> command                      | 5-19 |
| Adding <i>Linear</i> Dimensions                           | 5-20 |
| Adding <i>Angular</i> Dimensions                          | 5-21 |
| Adding <i>Radius</i> and <i>Diameter</i> Dimensions       | 5-22 |
| Using the <i>SINGLE LINE TEXT</i> command                 | 5-23 |
| Adding Special Characters                                 | 5-24 |
| Saving the CAD file                                       | 5-25 |
| A Special Note on Layers containing Dimensions            | 5-25 |
| Questions   | 5-26 |
| Exercises   | 5-27 |

## **Lesson 6**

### **Templates and Plotting**

|   |      |
|---|------|
| Introduction                                      | 6-2  |
| The Geneva Cam Design                             | 6-2  |
| Starting Up AutoCAD® LT 2007                      | 6-3  |
| Setting up the <i>Plot Style Mode</i>             | 6-4  |
| Starting a new file                               | 6-6  |
| <i>GRID</i> and <i>SNAP</i> intervals Setup       | 6-7  |
| <i>Layers</i> setup                               | 6-8  |
| Adding Borders and Title Block in the Layout      | 6-8  |
| Create a customized Title Block                   | 6-10 |
| Create a <i>Template file</i>                     | 6-11 |
| Exit AutoCAD® LT 2007                             | 6-12 |
| Starting Up AutoCAD® LT 2007                      | 6-13 |
| The Geneva Cam design                             | 6-14 |
| Drawing Construction Lines                        | 6-14 |
| Creating Object lines                             | 6-16 |
| Using the <i>OFFSET</i> command                   | 6-17 |
| Using the <i>MIRROR</i> command                   | 6-19 |
| Using the <i>ARRAY</i> command                    | 6-20 |
| Creating a <i>Viewport</i> inside the Title Block | 6-22 |

---

|                                  |      |
|----------------------------------|------|
| <i>Viewport</i> properties       | 6-23 |
| Hide the <i>Viewport borders</i> | 6-24 |
| Adjusting the dimension scale    | 6-24 |
| <i>Plot/Print</i> the drawing    | 6-26 |
| Questions                        | 6-28 |
| Exercises                        | 6-29 |

## Lesson 7

### Auxiliary Views and Editing with GRIPS

|   |      |
|---|------|
| Introduction  | 7-2  |
| The V-Block Design  | 7-2  |
| Starting Up AutoCAD® LT 2007                                    | 7-3  |
| The V-Block example   | 7-4  |
| Setting up the Principal Views                                  | 7-4  |
| Setting up the Outer Edges of the <i>Top View</i>               | 7-6  |
| Using the <i>OFFSET</i> command                                 | 7-8  |
| Creating Object lines in the <i>Front View</i>                  | 7-10 |
| Setting the POLAR TRACKING option                               | 7-11 |
| Setting up an auxiliary view                                    | 7-14 |
| Aligning the auxiliary view to the front view                   | 7-15 |
| Creating the V-Cut in the Auxiliary View                        | 7-15 |
| Creating the V-cut in the <i>Front-View</i> and <i>Top-View</i> | 7-18 |
| Setting the <i>Polar Tracking</i> option                        | 7-19 |
| Completing the <i>Top-View</i>                                  | 7-20 |
| Edit the Plot style table                                       | 7-24 |
| Questions   | 7-26 |
| Exercises   | 7-27 |

## Lesson 8

### Section Views

|   |      |
|---|------|
| Introduction                                    | 8-2  |
| The Bearing Design                              | 8-2  |
| Starting Up AutoCAD® LT 2007                    | 8-3  |
| The Bearing Example                             | 8-4  |
| Setting up the <i>Principal Views</i>           | 8-4  |
| Creating Object lines in the <i>Front View</i>  | 8-6  |
| Editing the circles                             | 8-8  |
| Setting up the <i>Side View</i>                 | 8-9  |
| Adding Hidden Lines in the <i>Side view</i>     | 8-11 |
| Changing the <i>Line Type Scale</i> Property    | 8-13 |
| Stretching and Moving Objects with <i>GRIPS</i> | 8-14 |
| Drawing a cutting plane line                    | 8-15 |

|  |      |
|--|------|
| Converting the Side View into a Section View | 8-17 |
| Adding <i>Section Lines</i>                  | 8-19 |
| Questions                                    | 8-22 |
| Exercises                                    | 8-23 |

## **Lesson 9**

### **Assembly Drawings and AutoCAD Blocks**

|   |      |
|---|------|
| Introduction  | 9-2  |
| The Shaft Support Subassembly                         | 9-3  |
| Additional parts                                      | 9-3  |
| (1) Cap-Screw   | 9-3  |
| (2) Collar  | 9-4  |
| (3) Base-plate  | 9-4  |
| Starting Up AutoCAD® LT 2007                          | 9-5  |
| Using AutoCAD LT with the Internet                    | 9-6  |
| Rearrange the Displayed Windows                       | 9-7  |
| Defining a <i>Block</i>                               | 9-8  |
| Inserting a <i>Block</i>                              | 9-10 |
| Starting the <i>Assembly drawing</i>                  | 9-11 |
| Copying and Pasting with the <i>Windows Clipboard</i> | 9-12 |
| Converting the View into a <i>Section View</i>        | 9-13 |
| Adding the Bearing to the <i>Assembly Drawing</i>     | 9-15 |
| Adding the Cap-screws to the <i>Assembly Drawing</i>  | 9-18 |
| Questions   | 9-21 |
| Exercise  | 9-22 |

## **Lesson 10**

### **3D Wireframe Modeling**

|  |       |
|--|-------|
| Introduction                                       | 10-2  |
| The V-Block Design                                 | 10-3  |
| Starting Up AutoCAD® LT 2007                       | 10-4  |
| The 2D sketch of the Base                          | 10-5  |
| UCS – It is an XY CRT, but an XYZ World            | 10-6  |
| Viewing the 2-D sketch in 3-D space                | 10-7  |
| Creating a wireframe Box                           | 10-9  |
| Using the <i>View</i> and <i>UCS</i> Toolbars      | 10-10 |
| Creating construction lines in the front view      | 10-11 |
| Copying in the negative Z direction                | 10-12 |
| Creating an Inclined Line at the Base of the Model | 10-13 |
| Creating object lines                              | 10-14 |
| Multiple Viewports                                 | 10-16 |
| Using the Mirror command                           | 10-17 |

---

|   |       |
|---|-------|
| Turn <i>OFF</i> the Construction Lines                | 10-19 |
| Creating a NEW UCS                                    | 10-20 |
| Changing the displayed view and Creating a Named View | 10-21 |
| Creating the V-Cut feature on the inclined plane      | 10-23 |
| Extend the Cut and GRIP Editing                       | 10-24 |
| Conclusion  | 10-25 |
| Questions   | 10-26 |
| Exercises   | 10-27 |

**INDEX**