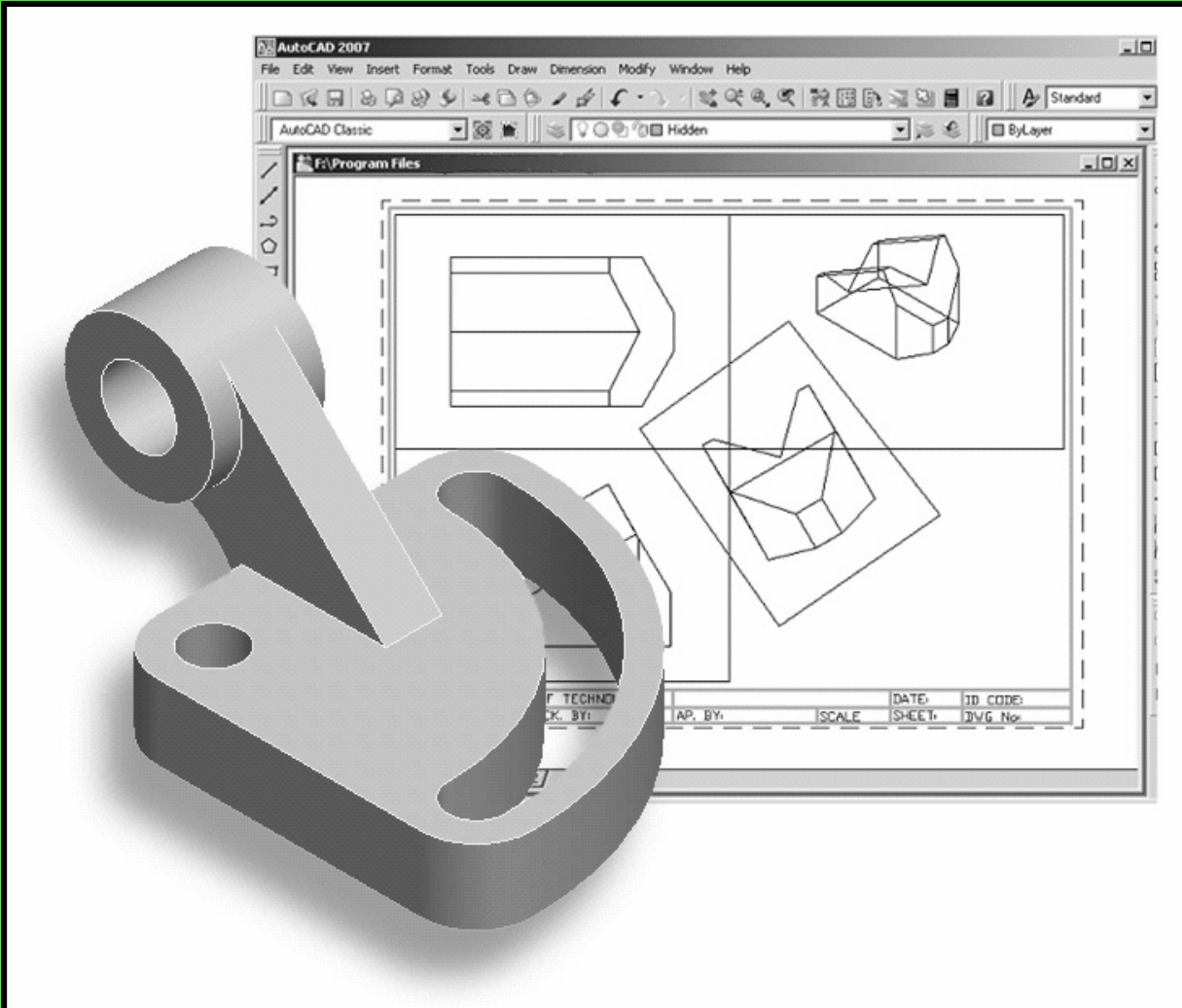


AutoCAD® 2007 Tutorial

Second Level: 3D Modeling



Randy H. Shih
Oregon Institute of Technology

SDC
PUBLICATIONS

Schroff Development Corporation

www.schroff.com
www.schroff-europe.com

Table of Contents

Preface

Acknowledgments

Chapter 1

Getting Started

Introduction	1-2
Development of Computer Geometric Modeling	1-2
Why use AutoCAD® 2007?	1-5
Getting Started with AutoCAD® 2007	1-7
AutoCAD Screen Layout	1-8
Pull-down Menus	1-9
Standard Toolbar	1-9
Object Properties Toolbar	1-9
Graphics Window	1-9
Graphics Cursor or Crosshairs	1-9
Command Prompt Area	1-9
Draw Toolbar and Modify Toolbars	1-10
Mouse Buttons	1-10
[Esc] – Canceling commands	1-11
On-Line Help	1-11
Leaving AutoCAD	1-12
Creating a CAD files folder	1-12

Chapter 2

User Coordinate System and the Z-Axis

Introduction	2-2
The Floor Plan design	2-2
Starting up AutoCAD	2-3
Drawing Units Setup	2-4
Drawing Area Setup	2-5
<i>GRID</i> and <i>SNAP</i> intervals Setup	2-7
Drawing Polylines	2-8
Creating an offset polyline	2-9
Creating interior walls	2-10
Completing the doorway using the <i>TRIM</i> command	2-13
User Coordinate System – It is an XY CRT, but an XYZ World	2-15
Viewing the 2D Design in 3D space	2-16
Adding the 3rd dimension to the Floor Plan Design	2-17
Viewing the design using the Hide option	2-19

Adding New Layers	2-20
Moving entities to a different layer	2-21
Moving the UCS	2-21
Creating the roof	2-23
Rotating the UCS	2-25
Sketching on the Rotated UCS	2-26
Viewing the design using the Hidden option	2-27
Questions	2-28
Exercises	2-29

Chapter 3

3D Wireframe Modeling

Introduction	3-2
The Locator Design	3-3
Starting up AutoCAD	3-4
Using the Startup Options	3-4
Creating the rectangular base of the design	3-6
Create a 3D box	3-7
Object Snap Toolbar	3-10
Using the Snap options to locate the top corners	3-10
Using the Copy option to create additional edges	3-12
Using the <i>TRIM</i> Command	3-14
Using the View Toolbar	3-16
Dynamic Rotation – Free orbit	3-16
Using the <i>OFFSET</i> command to create parallel edges	3-17
Creating a circle above the UCS sketch plane	3-19
Completing the wireframe model	3-20
Questions	3-22
Exercises	3-23

Chapter 4

UCS, Viewports and Wireframe Modeling

Introduction	4-2
The V-block design	4-2
Starting Up AutoCAD	4-3
Layers setup	4-4
Creating the rectangular base of the design	4-5
Creating a wireframe Box	4-6
Using the View and the UCS Toolbars	4-7
Creating construction lines in the front view	4-8
Copying in the negative Z direction	4-10
Creating an Inclined Line at the Base of the Model	4-11

Creating object lines	4-12
Multiple Viewports	4-14
Using the <i>MIRROR</i> command	4-15
Turn <i>OFF</i> the Construction Lines	4-17
Creating a NEW UCS	4-18
Creating a New Named View	4-20
Creating the V-Cut feature on the inclined plane	4-22
Extend the Cut and GRIP Editing	4-23
Questions	4-25
Exercises	4-26

Chapter 5

3D Surface Modeling

Introduction	5-2
Starting up AutoCAD	5-4
Using the UCS and Surfaces Toolbars	5-5
Creating a surface using the <i>2D SOLID</i> command	5-5
Using the Visual Styles Toolbar	5-8
Creating a surface using the <i>3D FACE</i> command	5-10
Creating a surface of irregular shape	5-12
Using the <i>Invisible Edge</i> option	5-14
Moving with the Grip Editing Tools	5-15
The <i>Locator</i> wireframe model	5-16
Moving Objects to a different Layer	5-16
Advanced Surface Modeling commands	5-18
Using the <i>Tabulated Surface</i> option	5-20
Using the <i>Ruled Surface</i> option	5-22
Questions	5-25
Exercises	5-26

Chapter 6

Solid Modeling - Constructive Solid Geometry

Introduction	6-2
The Guide-Block Design	6-2
<i>Constructive Solid Geometry</i> Concept	6-3
Binary Tree	6-4
The Guide-Block CSG Binary Tree	6-5
Starting Up AutoCAD® 2007	6-6
Creating the First 3-D object	6-7
Viewing the 3-D Block	6-8
Creating the Second Solid Feature	6-9
Boolean Operation - <i>UNION</i>	6-10

Creating the Second Cylinder Feature	6-11
Boolean Operation - <i>SUBTRACT</i>	6-12
Creating another Solid Feature	6-13
Visual Styles Options	6-14
Creating the Final Feature	6-15
Rotating the Rectangular Block	6-16
Moving the Rectangular Block	6-17
Questions	6-18
Exercises	6-19

Chapter 7

Regions, Extrude and Solid Modeling

Introduction	7-2
The V-block design	7-2
Starting Up AutoCAD	7-3
Layers setup	7-4
Setting up a 2D sketch	7-5
Defining the Front edges of the design	7-7
Creating a Region	7-10
Modeling Toolbar	7-11
Creating a 2D sketch at the Base of the Model	7-13
Creating a Copy of the 2D sketch	7-14
Creating the cutter solids	7-15
Boolean operation - <i>Subtract</i>	7-16
Mass properties of the solid model	7-17
Align the UCS to the inclined face	7-18
Creating the V-cut	7-19
Questions	7-22
Exercises	7-23

Chapter 8

Multiview Drawings from 3D Models

Introduction	8-2
The V-block design	8-2
Starting Up AutoCAD	8-3
AutoCAD Paper Space	8-4
Deleting the displayed viewport	8-5
Adding borders and title block in the layout	8-6
Setting up Viewports inside the Titleblock	8-7
Setting up the standard views	8-8
Determining the necessary 2D views	8-10
Establishing an auxiliary view in Model Mode	8-11

Adding a viewport for an Auxiliary view	8-13
Using the <i>DVIEW</i> command	8-16
Adjusting the Viewport Scale	8-17
Locking the Base view	8-18
Aligning the 2D views	8-18
Creating 2D projected entities - SOLPROF	8-21
Completing the 2D drawing	8-23
Questions	8-25
Exercises	8-26

Chapter 9

Symmetrical Features in Designs

Introduction	9-2
A Revolved Design: PULLEY	9-2
Modeling Strategy - A Revolved Design	9-3
Starting Up AutoCAD	9-4
Layers Setup	9-5
Setting up a 2D sketch for the Revolved feature	9-6
Perform 2D Boolean Operations	9-8
Creating the Revolved Feature	9-12
Mirroring Part	9-13
Combining Parts	9-14
3D Array	9-15
Position and perform the Cut	9-18
Questions	9-20
Exercises	9-21

Chapter 10

Advanced Modeling Tools & Techniques

Introduction	10-2
A Thin-walled Design: OIL SINK	10-2
Modeling Strategy	10-3
Starting Up AutoCAD	10-4
Layers Setup	10-5
The First Extruded Feature	10-6
Create an Offset geometry from an Extracted surface	10-8
Extrude with Draft Angle	10-10
Aligning the parts	10-11
Create another Extracted Surface	10-12
Combining parts – Boolean UNION	10-15
Creating 3D Rounds and Fillets	10-16
Creating a Shell Feature	10-18

Creating a Rectangular Array Cut feature	10-19
Creating another Rectangular Array cut feature	10-21
Making a Design Change	10-23
Grip Editing Approach	10-23
Dynamic UCS Approach	10-25
Conclusion	10-27
Questions	10-28
Exercises	10-29

Index