

Inside:

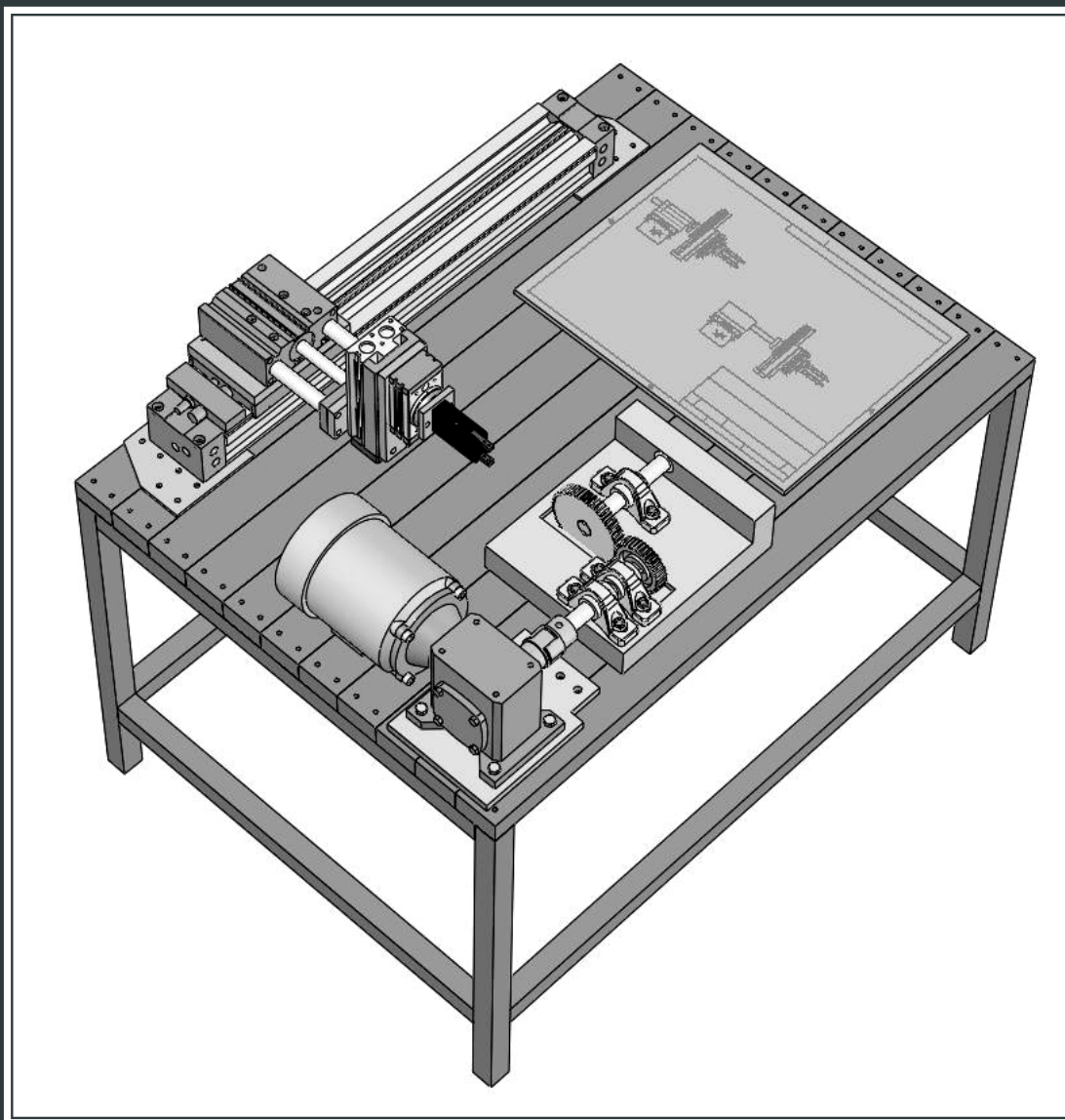
Supplemental

Files on CD

Assembly Modeling with SolidWorks 2006

For the Intermediate SolidWorks User

David C. Planchard & Marie P. Planchard



SDC
PUBLICATIONS

Schroff Development Corporation

www.schroff.com
www.schroff-europe.com



SolidWorks

Solution
Partner

TABLE OF CONTENTS

Introduction	I-2
Acknowledgement, Trademarks and Disclaimer	I-4
References	I-5
Table of Contents	I-6
Design Intent	I-10
Overview of Projects	I-14
Command Syntax	I-17
Windows Terminology – Shortcuts	I-18
Notes to Instructors	I-23
Project 1 - File Management	1-1
Project Objective	1-3
SolidWorks Tools and Commands	1-3
Project Overview - Definitions	1-6
Assembly Task List - Before you begin	1-6
DELIVERY STATION Assembly Layout Structure	1-8
File Organization	1-10
File Management	1-13
System Options –File Locations	1-16
Document Templates – Reference Documents-Design Library	1-17
System Options – Large Assembly Mode	1-25
Assembly Template, Part Template, and Document Properties	1-26
Download Components	1-36
SolidWorks Explorer	1-40
Summary of SMC Components	1-47
FeatureManager and Component States, Comparisons of Component States	1-49
Geometric and Functional Requirements	1-51
SolidWorks Toolbox Configuration	1-56
Vendor Information	1-57
Project Summary	1-59
Questions and Exercises	1-60
Project 2 - Assembly Modeling – Bottom-Up Design	2-1
Project Objective	2-3
SolidWorks Tools and Commands	2-4
Project Overview	2-5
Geometric and Functional Requirement of the PLATE-A Part	2-11
PLATE-A part	2-16
Design Library	2-27
Assembly Mating Techniques	2-28
LINEAR-TRANSFER assembly	2-30
Customize the Keyboard	2-33
Modifying the Base (first) component, Fix or Float	2-35

Standard and Advanced Mates, SmartMates, and In Place Mates	2-36
SmartMates	2-40
Rigid and Flexible	2-48
Selection	2-50
Fasteners	2-54
Mate References	2-64
Configurations	2-64
Parent/Child Relations in an assembly	2-76
LINEAR-TRANSFER configurations	2-77
Preparing for the next assembly	2-83
Project Summary	2-85
Questions and Exercises	2-86
Project 3 – Top-Down Design – In Context	3-1
Project Objective	3-3
SolidWorks Tools and Commands	3-4
Project Overview	3-5
Top Down Design Assembly Modeling Approach	3-7
2AXIS-TRANSFER assembly	3-9
In-Context, External References, and InPlace Mates	3-13
Hole Selection	3-23
Mating the SLIDE-TABLE assembly	3-29
Fasteners	3-33
Editing Mates and Redefining Components	3-37
Redefining External References	3-49
Configurations and Design Tables	3-60
Design Table and 2AXIS-TRANSFER Configurations	3-70
Project Summary	3-77
Questions and Exercises	3-78
Project 4 - Configurations, Properties, Design Tables, & References	4-1
Project Objective	4-3
SolidWorks Tools and Commands	4-4
Project Overview	4-4
ROTARY-GRIPPER assembly	4-8
Dynamic Behavior of Components	4-12
ROTARY configurations	4-16
Assemble the GRIPPER assembly to ROTARY assembly	4-20
PLATE-D part with In-Context features	4-25
PLATE-D Holes	4-30
Redefining External references and InPlace Mates	4-35
PLATE-C part	4-45
ROTARY-GRIPPER Design Table	4-61
PLATE-D Design Table and Properties	4-64
System Properties – User defined Properties	4-64
Editing the ROTARY-GRIPPER Design Table	4-74

PLATE-D drawing	4-77
Editing the PLATE-D part and Design Table	4-81
Project Summary	4-85
Questions and Exercises	4-86
Project 5 - Assembly Drawing	5-1
Project Objective	5-3
SolidWorks Tools and Commands	5-4
Project Overview	5-4
3AXIS-TRANSFER assembly	5-10
3AXIS-TRANSFER Design Table	5-19
3AXIS-TRANSFER assembly drawing	5-22
Bill of Materials – Part 1	5-36
Fasteners	5-39
Fastener Configuration	5-46
Exploded View	5-49
Balloons	5-54
Custom Properties	5-57
Revision Table	5-63
Bill of Materials – Part 2	5-69
Drawing View Properties	5-74
Engineering Change Orders and Revisions	5-81
Project Summary	5-86
Questions and Exercises:	5-87
Project 6 – Top-Down Design Modeling Techniques	6-1
Project Objective	6-3
SolidWorks Tools and Commands	6-4
Product Specification	6-4
DELIVERY-STATION assembly overview	6-7
Layout Sketch	6-8
Link Values and Equations	6-19
OUTPUT-BASE-PLATE part	6-23
INPUT-BASE-PLATE part	6-27
INPUT assembly, Reordering components, and Dissolve Sub-assembly	6-31
Assembly Techniques with AutoCAD 2D and 3D Component	6-39
Working with AUTOCAD Geometry	6-50
Reusing Components: Component Pattern and Mirror Component	6-58
Inserting the DELIVERY-STATION assembly	6-61
Envelopes	6-64
Additional Assembly Modeling tools: Join, Split, and Explode Line Sketch	6-68
Project Summary	6-76
Questions and Exercises	6-77

Appendix

ECO Form

ASME Y14 Display of dimensions and tolerances

Cursor Feedback

On-line URLs for additional SolidWorks assistance

A-1

A-1

A-2

A-3

A-8

Index