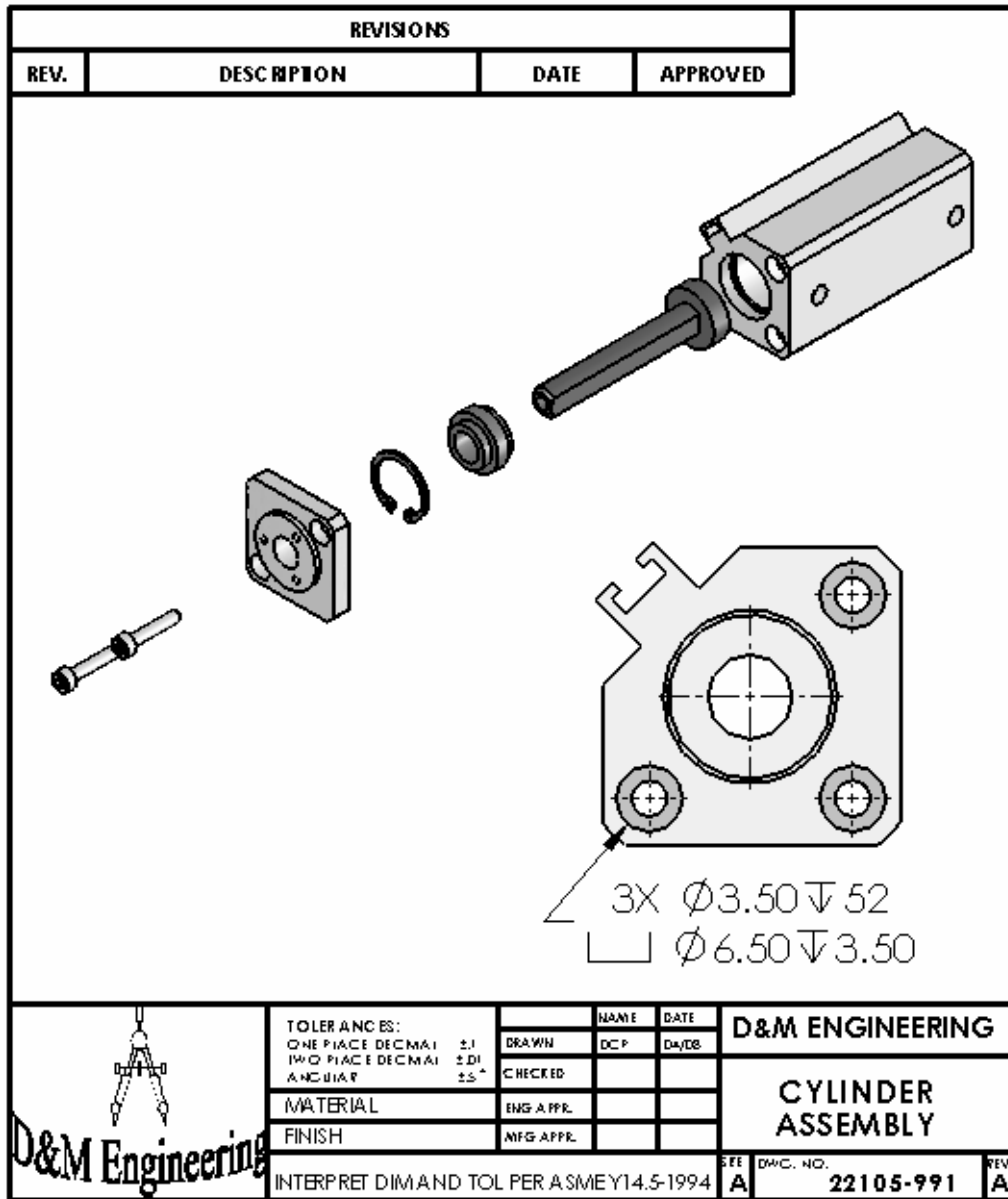


Drawing and Detailing

with SolidWorks 2006

By David C. Planchard and Marie P. Planchard

Referencing the ASME Y14 Engineering Drawing and Related Documentation Practices



SDC
PUBLICATIONS



Schroff Development Corporation

www.schroff.com
www.schroff-europe.com

TABLE OF CONTENTS

Introduction	I-1
About the Cover	I-1
Introduction	I-2
Notes to Instructors	I-2
Trademarks, Disclaimer and Copyrighted Material	I-3
About the Authors	I-4
Acknowledgements	I-5
References	I-6
Table of Contents	I-7
What is SolidWorks?	I-10
Design Intent	I-15
Overview of Projects	I-19
SolidWorks Documents	I-21
Command Syntax	I-21
Windows Terminology	I-22
Project 1 – Drawing Template and Sheet Format	1-1
Project Objective	1-3
Project Overview	1-4
Engineering Drawing and Related Documentation Practices	1-5
File Management	1-6
Default Drawing Template, Sheet Format and Sheet Size	1-7
User Interface	1-12
Cursor Feedback	1-16
Sheet Properties	1-16
Sheet Options	1-16
Document Properties	1-19
Document Properties-Detailing	1-23
Document Properties-Notes and Balloons Option	1-33
Document Properties-Arrows	1-34
Document Properties-Line Font	1-35
Predefined Views	1-36
Save As	1-38
Sheet Format	1-40
Title Block Notes and Properties	1-47
System Properties	1-47
User Defined Properties	1-49
Linked Notes	1-49
Size, Sheet and Scale Properties	1-52
Custom Property and Logo Picture	1-54
User Defined Custom Property	1-56
Copy/Paste Custom Properties	1-56
Custom Properties in Parts and Assemblies	1-58
General Notes	1-60
Tables	1-61
Save Sheet Format and Save Drawing Template	1-65
A-size Drawing Template	1-66
Project Summary	1-68
Project Terminology	1-68
Questions and Exercises	1-70

Drawing and Detailing with SolidWorks 2006

Project 2 – Drawing View	2-1
Project Objective	2-3
Project Overview	2-4
Fundamentals of Orthographic Projection	2-8
Review the ROD Part and Configurations	2-11
ROD Drawing: Sheet1 Short Rod Configurations	2-16
View Boundary Properties and Lock View Options	2-20
ROD Drawing:Sheet2 Long Rod Configuration	2-21
ROD Drawing: Sheet3 Long Rod Configuration	2-25
ROD Drawing-Revolved Section	2-29
ROD Drawing-Broken Isometric View	2-31
Review the TUBE Part	2-35
TUBE Drawing	2-39
TUBE Drawing-Section View and Detail View	2-42
TUBE Drawing-Broken-out Section View, Auxiliary View and Crop View	2-44
TUBE Drawing-Half Section Isometric (Cut-Away)	2-49
COVERPLATE Drawing	2-54
COVERPLATE Drawing-Offset Section view and Aligned Section View	2-58
Additional View Options and View Properties	2-62
Multi-view Drawings	2-65
Project Summary	2-71
Project Terminology	2-71
Questions and Exercises	2-73
Project 3 – Fundamentals of Detailing	3-1
Project Objective	3-3
Project Overview	3-4
TUBE Drawing-Detailing	3-10
TUBE Drawing-Detailing Section View, Top View and Detail View	3-15
TUBE Drawing-Detailing Detail View and Front View	3-23
TUBE Drawing-Detailing Right View, Back View and Holes	3-27
TUBE Drawing-Adding Dimensions	3-34
Detailing Tips	3-39
COVERPLATE Drawing-Detailing	3-42
COVERPLATE Drawing-Modifying Features	3-54
Dimension PropertyManager and Dimensioning Features	3-56
Location of Features	3-64
Project Summary	3-67
Project Terminology	3-68
Questions and Exercises	3-69
Project 4 – Assembly Drawing	4-1
Project Objective	4-3
Project Overview	4-4
CYLINDER Assembly-Exploded View	4-7
CYLINDER Assembly Drawing-Insert Balloons	4-11
CYLINDER Assembly-Bill of Materials	4-16
Materials Editor and Mass Properties	4-19
Configuration Properties	4-22
Design Table	4-29
Bill of Materials – Part 2	4-35
CYLINDER Assembly-Design Table	4-40
CYLINDER Drawing-Multiple Configurations	4-45

Revision Table	4-55
CYLINDER Assembly-Section View and Broken-out Section	4-61
Hide Behind Plane	4-62
Large Assembly Mode	4-63
eDrawing	4-64
Export	4-64
Project Summary	4-65
Project Terminology	4-65
Questions and Exercises	4-67
Project 5 – Applied Geometric Tolerancing and Other Symbols	5-1
Project Objective	5-3
Project Overview	5-4
Drawing Template	5-6
VALVEPLATE Part	5-7
VALVEPLATE Drawing	5-9
Datum Features, Geometric Tolerance and Surface Finish Annotations	5-19
eDrawing	5-26
ASME Y14.41 Digital Product Definition Data Practices	5-27
Modify the ASME14-41 Drawing	5-29
PLATE-TUBE Assembly Drawing and Weld Symbols	5-35
PLATE-CATALOG Drawing, Design Table and EXCEL Formatting	5-42
Blocks	5-58
Additional Information	5-63
DWGEditor	5-64
DXF/DWG Import	5-64
Geometric Tolerance Symbols	5-65
Types of Fits	5-65
Project Summary	5-66
Project Terminology	5-67
Questions and Exercises	5-68
Appendix –	
ECO Form	A1
2D to 3D Conversion	A2
Layout Sketch	A6
Shortcut Keys	A13
Online URLs for Additional SolidWorks Assistance	A15

INDEX