

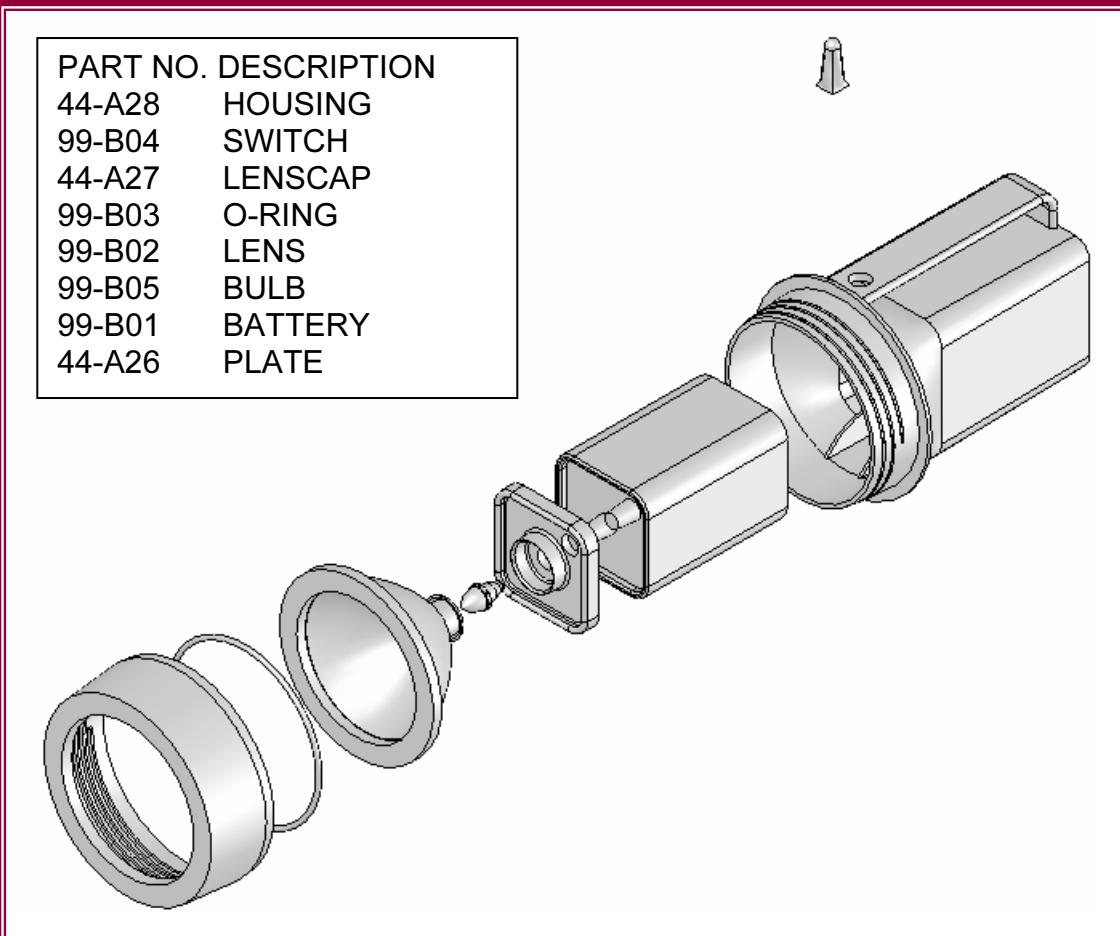
INSIDE:



SolidWorks 2006: The Basics with MultiMedia CD

A Working Knowledge of SolidWorks using a Step-by-Step
Project Based Approach

David C. Planchard & Marie P. Planchard



SDC
PUBLICATIONS

Schroff Development Corporation

www.schroff.com
www.schroff-europe.com

TABLE OF CONTENTS

Introduction	I-1
About the Authors	I-2
Acknowledgement	I-3
References	I-4
Table of Contents	I-5
What is SolidWorks?	I-8
Design Intent	I-10
Overview of Projects	I-13
Command Syntax	I-14
Windows Terminology	I-14
Windows Shortcuts	I-15
SolidWorks Keyboard Shortcuts	I-18
Learning Methods and Note to Instructors	I-19
Project 1-Introduction to Part Modeling	1-1
Project Overview	1-3
File Management	1-4
Start a SolidWorks session	1-5
User Interface and CommandManager	1-8
Design Intent	1-13
Part Template	1-15
BATTERY Part	1-19
BATTERY Part-Extruded Base Feature	1-20
BATTERY Part-Fillet Feature	1-24
BATTERY Part-Extruded Cut Feature-Edge	1-25
BATTERY Part-Fillet Feature	1-27
BATTERY Part Extruded Boss Feature	1-29
BATTERYPLATE Part	1-33
Save As, Delete, Modify and Edit Feature	1-34
BATTERYPLATE Part-Extruded Boss Feature	1-36
BATTERYPLATE Part-Offset Entities	1-36
BATTERYPLATE Part-Extruded Boss Feature	1-37
BATTERYPLATE Part-Fillet Features: Full Round, Multiple Radius Options	1-37
BATTERYPLATE Part-Chamfer Feature	1-40
Multi-body Parts and Extruded Boss Feature	1-41
Project Summary	1-42
Project Terminology	1-43
Questions	1-45
Exercises	1-46
Project 2-Revolved Features	2-1
Project Overview	2-3
LENS Part	2-4
LENS Part Revolved Base Feature	2-7
LENS Part-Shell Feature	2-8
LENS Part-Extruded Boss Feature and Convert Entities Sketch tool	2-9
LENS Part-Extruded Boss Feature	2-9
LENS Part-Hole Wizard Feature	2-10
LENS Part-Revolved Boss Thin Feature	2-13
LENS Part-Extruded Boss Feature and Offset Entities	2-15
LENS Part-Extruded Boss Feature and Transparent Optical Property	2-17
LENS Part-Transparent Optical Property	2-17
BULB Part	2-19

BULB Part-Revolved Base Feature	2-20
BULB Part-Revolved Boss Feature and Spline Sketch Tool	2-22
BULB Part-Revolved Cut Thin Feature	2-24
BULB Part-Dome Feature	2-26
BULB Part-Circular Pattern Feature	2-26
BULB Part-Seed Cut Feature	2-27
BULB Part-Extruded Cut Feature	2-28
BULB Part-Circular Pattern Feature	2-29
Customizing Toolbars and Short Cut Keys	2-30
Project Summary	2-32
Project Terminology	2-32
Questions	2-33
Exercises	2-34

Project 3-Sweep, Loft and Additional Features **3-1**

Project Overview	3-3
O-RING Part	3-4
O-RING Part-Sweep Feature	3-6
SWITCH Part	3-7
SWITCH Part-Loft Base Feature	3-8
SWITCH Part-Shape Feature	3-12
Four Major Categories of Solid Features	3-14
LENSCAP Part	3-15
LENSCAP Part-Extruded Base Feature	3-16
LENSCAP Part-Extruded Cut Feature	3-16
LENSCAP Part-Shell Feature	3-16
LENSCAP Part-Revolved Cut Thin Feature	3-19
LENSCAP Part-Thread Path Feature	3-20
LENSCAP Part-Helix/Spiral Curve Feature	3-20
LENSCAP Part-Sweep Feature	3-24
HOUSING Part	3-26
HOUSING Part-Extruded Base Feature	3-27
HOUSING Part-Loft Boss Feature	3-29
HOUSING Part-First Extruded Boss Feature	3-33
HOUSING Part-Shell Feature	3-34
HOUSING Part-Second Extruded Boss Feature	3-35
HOUSING Part-Draft Feature	3-36
HOUSING Part-Thread Feature	3-37
HOUSING Part-Sweep Feature	3-37
HOUSING Part-Handle Sweep Feature	3-41
HOUSING Part-Extruded Cut Feature with UpToSurface Option	3-46
HOUSING Part-First Rib Feature	3-48
HOUSING Part-Linear Pattern Feature	3-48
HOUSING Part-Second Rib Feature	3-51
HOUSING Part-Mirror Feature	3-54
Project Summary	3-56
Project Terminology	3-56
Questions	3-58
Exercises	3-59

Project 4-Assembly Modeling **4-1**

Project Overview	4-3
Assembly Modeling Overview	4-4
FLASHLIGHT Assembly	4-6
Assembly Techniques	4-7
Assembly Template	4-8

Assembly Templates-ANSI	4-8
Assembly Templates-ISO	4-9
LENSANDBULB Sub-assembly	4-9
BATTERYANDPLATE Sub-assembly	4-13
CAPANDLENS Sub-assembly	4-15
FLASHLIGHT Assembly	4-19
FLASHLIGHT Assembly-Interference Issues	4-25
FLASHLIGHT Assembly-Exploded View	4-27
FLASHLIGH Assembly-Export Files and eDrawings	4-30
Project Summary	4-33
Project Terminology	4-33
Questions	4-34
Exercises	4-35
Project 5-Fundamentals of Drawing	5-1
Project Overview	5-3
New Drawing and the Drawing Template	5-4
Title Block	5-7
Company Logo and Save Sheet Format	5-11
BATTERY Drawing	5-15
BATTERY Drawing-Insert a View	5-16
BATTERY Drawing-Detail View	5-18
BATTERY Drawing-View Display	5-20
BATTERY Drawing-Insert Model Items and Move Dimensions	5-21
BATTERY Drawing-Insert a Note	5-23
New Assembly Drawing and Exploded View	5-25
FLASHLIGHT Drawing-Bill of Materials	5-27
FLASHLIGHT Drawing-Balloons	5-29
Part Numbers	5-29
FLASHLIGHT Drawing-ConfigurationManager	5-30
FLASHLIGHT Drawing-Update the Bill of Materials	5-30
O-RING Part-Design Table	5-32
O-RING Drawing	5-34
O-RING Drawing-Design Table	5-35
Project Summary	5-36
Project Terminology	5-37
Questions	5-38
Exercises	5-39

Index