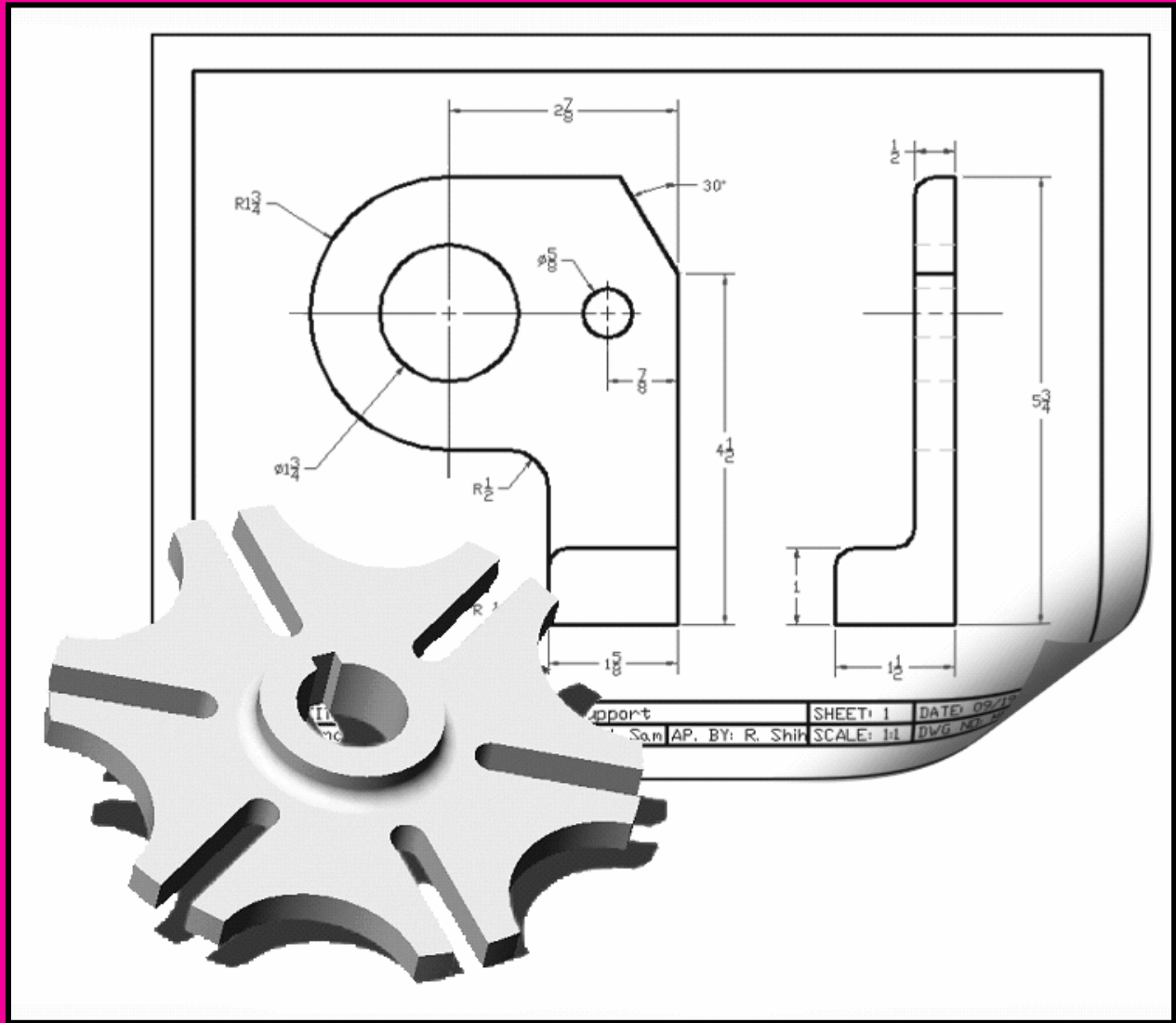


AutoCAD® LT 2006 Tutorial



Randy H. Shih
Oregon Institute of Technology

SDC
PUBLICATIONS

Schroff Development Corporation

www.schroff.com
www.schroff-europe.com

Table of Contents

Preface

Acknowledgments

Introduction

Introduction	Intro-2
Development of Computer Aided Design	Intro-2
Why use AutoCAD® LT 2006	Intro-5
Getting started with AutoCAD® LT 2006	Intro-7
AutoCAD® LT 2006 Screen Layout	Intro-8
Mouse Buttons	Intro-10
[Esc] - Canceling commands	Intro-11
On-Line Help	Intro-11
Leaving AutoCAD® LT 2006	Intro-12
Creating a CAD files folder	Intro-13

Lesson 1

Geometric Construction Basics

Introduction	1-2
Starting Up AutoCAD® LT 2006	1-2
Drawing Units Setup	1-4
Drawing Area Setup	1-5
Using the <i>LINE</i> command	1-6
Visual reference	1-10
<i>GRID</i> ON	1-10
<i>DYN</i> OFF	1-11
<i>SNAP</i> ON	1-11
Using the <i>ERASER</i>	1-13
Repeat the last command	1-14
The CAD Database and the User Coordinate System	1-15
Changing to the 2D UCS icon Display	1-16
Cartesian and Polar Coordinate Systems	1-17
Absolute and Relative coordinates	1-17
Defining Positions	1-18
The <i>Guide Plate</i>	1-18
Creating <i>Circles</i>	1-22
Save the CAD file	1-24
Exit AutoCAD LT	1-25
Questions	1-26
Exercises	1-27

Lesson 2

Construction and Editing Tools

Introduction	2-2
Starting Up AutoCAD LT 2006	2-3
Dynamic Input	2-3
The Gasket Design	2-6
Drawing Units Setup	2-7
<i>GRID</i> and <i>SNAP</i> intervals Setup	2-8
Using the <i>LINE</i> command	2-9
<i>Toolbar</i> List	2-10
Using the <i>EXTEND</i> Command	2-14
Using the <i>TRIM</i> Command	2-15
Creating a <i>TTR</i> circle	2-16
Using the <i>FILLET</i> command	2-17
Converting objects into a <i>Polyline</i>	2-18
Using the <i>OFFSET</i> command	2-19
Using the <i>EXPLODE</i> command	2-20
Create another <i>FILLET</i>	2-20
Save the CAD file	2-21
Exit AutoCAD	2-21
Questions	2-22
Exercises	2-23

Lesson 3

Object Properties and Organization

Introduction	3-2
<i>Floor Plan Design</i>	3-2
Starting Up AutoCAD® LT 2006	3-3
Using the Setup wizard	3-3
Drawing Units Setup	3-4
Reference Drawing Area Setup	3-5
<i>GRID</i> and <i>SNAP</i> intervals Setup	3-6
Using the <i>ZOOM ALL</i> command	3-7
The AutoCAD LT <i>DOUBLE LINE</i> command	3-7
Setting the Offset distance of <i>Double Lines</i>	3-8
Setting the Appearance of Endpoints	3-8
Controlling Placement of <i>Double Lines</i>	3-9
The <i>DLINE</i> Break option	3-9
Drawing <i>Double Lines</i>	3-10
Display the Object Snap Toolbar	3-11
Controlling the Appearance of Intersections	3-11
Creating interior walls	3-12

Using <i>Layers</i> and Object Properties	3-16
Using <i>ZOOM REALTIME</i>	3-19
Modeling the Bathroom	3-20
Controlling <i>Layer Visibility</i>	3-22
Adding a New Layer	3-22
Moving objects to a different layer	3-23
Questions	3-25
Exercises	3-26

Lesson 4

Orthographic Views in Multiview Drawings

Introduction	4-2
The LOCATOR Design	4-2
The LOCATOR Part	4-3
Starting Up AutoCAD® LT 2006	4-3
<i>GRID</i> and <i>SNAP</i> intervals Setup	4-4
<i>Layers</i> setup	4-5
Drawing <i>Construction Lines</i>	4-6
Using the <i>OFFSET</i> command	4-6
Set Layer <i>Object</i> as the current layer	4-8
Using the <i>Running Object Snaps</i>	4-8
Creating <i>Object lines</i>	4-10
Turn <i>OFF</i> the construction Lines	4-11
Adding more objects in the Front View	4-11
The AutoSnap™ and AutoTrack™ features	4-12
Adding more objects in the Top View	4-14
Drawing a <i>Miter Line</i>	4-18
More <i>Layers</i> setup	4-20
Top View to Side View Projection	4-21
Completing the Front View	4-23
Saving the CAD file	4-25
Questions	4-26
Exercises	4-27

Lesson 5

Basic Dimensioning and Notes

Introduction	5-2
The Bracket Design	5-2
Starting Up AutoCAD® LT 2006	5-3
GRID and SNAP intervals Setup	5-4

Layers setup	5-5
The Bracket Design	5-6
Drawing Construction Lines	5-7
Using the <i>OFFSET</i> command	5-7
Set Layer <i>Object_Lines</i> as the <i>current layer</i>	5-9
Creating Object lines	5-9
Creating Hidden lines	5-10
Creating Center lines	5-11
Turn <i>OFF</i> the Construction Lines	5-11
Using the <i>FILLET</i> command	5-12
Saving the CAD file	5-13
The <i>Dimension toolbar</i>	5-14
Using <i>Dimension Style Manager</i>	5-14
Dimensions Nomenclature and Basics	5-15
Using the <i>Center Mark</i> command	5-18
Adding <i>Linear</i> Dimensions	5-19
Adding <i>Angular</i> Dimensions	5-20
Adding <i>Radius</i> and <i>Diameter</i> Dimensions	5-21
Using the <i>SINGLE LINE TEXT</i> command	5-22
Adding Special Characters	5-23
Saving the CAD file	5-24
A Special Note on Layers containing Dimensions	5-24
Questions	5-25
Exercises	5-26

Lesson 6

Templates and Plotting

Introduction	6-2
The Geneva Cam Design	6-2
Starting Up AutoCAD® LT 2006	6-3
Setting up the <i>Plot Style Mode</i>	6-4
Starting a new file	6-6
<i>GRID</i> and <i>SNAP</i> intervals Setup	6-7
<i>Layers</i> setup	6-8
Adding Borders and Title Block in the Layout	6-8
Change the Background Color of the Layout Graphics window	6-10
Create a customized Title Block	6-11
Create a <i>Template file</i>	6-12
Exit AutoCAD® LT 2006	6-13
Starting Up AutoCAD® LT 2006	6-14
The Geneva Cam design	6-15
Drawing Construction Lines	6-15
Creating Object lines	6-17

Using the <i>OFFSET</i> command	6-18
Using the <i>MIRROR</i> command	6-20
Using the <i>ARRAY</i> command	6-21
Creating a <i>Viewport</i> inside the Title Block	6-23
<i>Viewport</i> properties	6-24
Hide the <i>Viewport borders</i>	6-25
Adjusting the dimension scale	6-25
<i>Plot/Print</i> the drawing	6-27
Questions	6-29
Exercises	6-30

Lesson 7

Auxiliary Views and Editing with GRIPS

Introduction	7-2
The V-Block Design	7-2
Starting Up AutoCAD® LT 2006	7-3
The V-Block example	7-4
Setting up the Principal Views	7-4
Setting up the Outer Edges of the <i>Top View</i>	7-6
Using the <i>OFFSET</i> command	7-7
Creating Object lines in the <i>Front View</i>	7-9
Stretch and Copy with Grips	7-11
Aligning the <i>Auxiliary View</i> to the <i>Front View</i>	7-14
Creating the V-Cut in the Auxiliary View	7-14
Creating the V-cut in the <i>Front-View</i> and <i>Top-View</i>	7-17
Setting the <i>Polar Tracking</i> option	7-18
Completing the <i>Top-View</i>	7-19
Edit the Plot style table	7-23
Questions	7-25
Exercises	7-26

Lesson 8

Section Views

Introduction	8-2
The Bearing Design	8-2
Starting Up AutoCAD® LT 2006	8-3
The Bearing Example	8-4
Setting up the <i>Principal Views</i>	8-4
Creating Object lines in the <i>Front View</i>	8-6
Editing the circles	8-8

Setting up the <i>Side View</i>	8-9
Adding Hidden Lines in the <i>Side view</i>	8-11
Changing the <i>Line Type Scale</i> Property	8-13
Stretching and Moving Objects with <i>GRIPS</i>	8-14
Drawing a cutting plane line	8-15
Converting the Side View into a Section View	8-17
Adding <i>Section Lines</i>	8-19
Questions	8-22
Exercises	8-23

Lesson 9

Assembly Drawings and AutoCAD Blocks

Introduction	9-2
The Shaft Support Subassembly	9-3
Additional parts	9-3
(1) Cap-Screw	9-3
(2) Collar	9-4
(3) Base-plate	9-4
Starting Up AutoCAD® LT 2006	9-5
Using AutoCAD LT with the Internet	9-6
Rearrange the Displayed Windows	9-7
Defining a <i>Block</i>	9-8
Inserting a <i>Block</i>	9-10
Starting the <i>Assembly drawing</i>	9-11
Copying and Pasting with the <i>Windows Clipboard</i>	9-12
Converting the View into a <i>Section View</i>	9-13
Adding the Bearing to the <i>Assembly Drawing</i>	9-15
Adding the Cap-screws to the <i>Assembly Drawing</i>	9-18
Questions	9-21
Exercise	9-22

Lesson 10

3D Wireframe Modeling

Introduction	10-2
The V-Block Design	10-3
Starting Up AutoCAD® LT 2006	10-4
The 2D sketch of the Base	10-5
UCS – It is an XY CRT, but an XYZ World	10-6
Viewing the 2-D sketch in 3-D space	10-7
Creating a wireframe Box	10-9

Using the <i>View</i> and <i>UCS</i> Toolbars	10-10
Creating construction lines in the front view	10-11
Copying in the negative <i>Z</i> direction	10-12
Creating an Inclined Line at the Base of the Model	10-13
Creating object lines	10-14
Multiple Viewports	10-16
Using the Mirror command	10-17
Turn <i>OFF</i> the Construction Lines	10-19
Creating a NEW UCS	10-20
Changing the displayed view and Creating a Named View	10-21
Creating the V-Cut feature on the inclined plane	10-23
Extend the Cut and GRIP Editing	10-24
Conclusion	10-25
Questions	10-26
Exercises	10-27

INDEX

Notes: