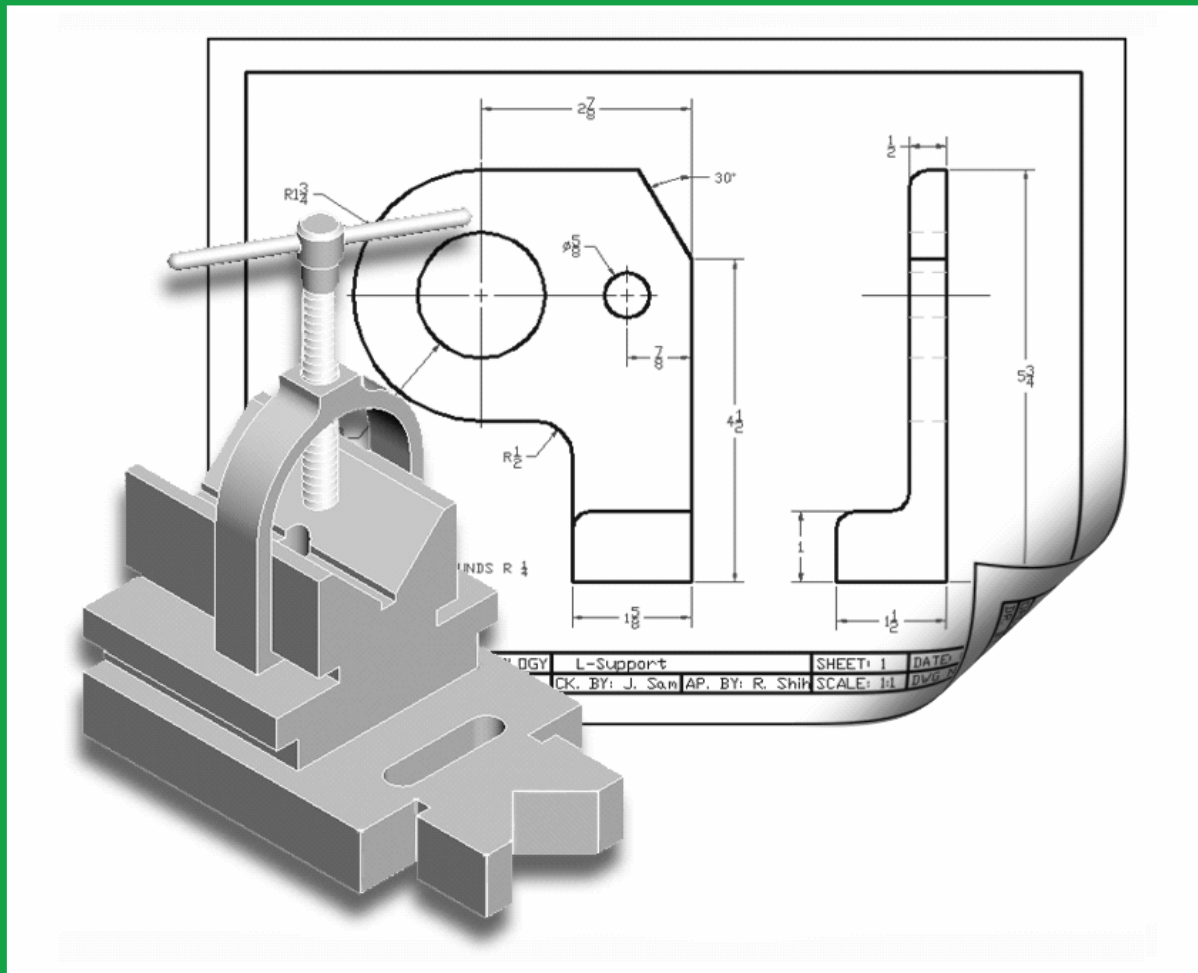


AutoCAD® 2006 Tutorial

First Level: 2D Fundamentals



Text by

Randy H. Shih

Oregon Institute of Technology

MultiMedia CD by

Jack Zecher

Indiana University Purdue University Indianapolis

INSIDE:

**MultiMedia CD
by Jack Zecher**



An audio/visual
presentation of the
tutorial exercises

SDC
PUBLICATIONS

Schroff Development Corporation

www.schroff.com
www.schroff-europe.com

Table of Contents

Preface

Acknowledgments

Introduction

Getting Started

Introduction	Intro-2
Development of Computer Aided Design	Intro-2
Why use AutoCAD® 2006	Intro-5
Getting started with AutoCAD® 2006	Intro-7
AutoCAD® 2006 Screen Layout	Intro-8
Pull-down Menus	Intro-9
Standard Toolbar	Intro-9
Object Properties Toolbar	Intro-9
Graphics Window	Intro-9
Graphics Cursor or Crosshairs	Intro-9
Command Line Area	Intro-9
Draw Toolbar and Modify Toolbar	Intro-10
Mouse Buttons	Intro-10
[Esc] - Canceling commands	Intro-11
On-Line Help	Intro-11
Leaving AutoCAD® 2006	Intro-12
Creating a CAD file folder	Intro-13

Chapter 1

AutoCAD Fundamentals

Introduction	1-2
Starting Up AutoCAD® 2006	1-2
Drawing Units display Setup	1-4
Drawing Area Setup	1-5
Using the <i>LINE</i> command	1-6
Visual reference	1-10
<i>GRID</i> ON	1-10
<i>DYN</i> OFF	1-11
<i>SNAP</i> ON	1-11
Using the <i>ERASER</i>	1-13
Repeat the last command	1-14
The CAD Database and the User Coordinate System	1-15

Changing to the 2D UCS icon Display	1-16
Cartesian and Polar Coordinate Systems	1-17
Absolute and Relative coordinates	1-17
Defining Positions	1-18
The <i>Guide Plate</i>	1-18
Creating <i>Circles</i>	1-22
Save the CAD file	1-24
Exit AutoCAD	1-25
Questions	1-26
Exercises	1-27

Chapter 2

Basic Object Construction Tools

Introduction	2-2
Starting Up AutoCAD® 2006	2-3
Dynamic Input	2-3
The RockerArm Design	2-6
Activate the Startup option	2-7
Drawing Units Display Setup	2-8
<i>GRID</i> and <i>SNAP</i> intervals Setup	2-9
Drawing Area Setup	2-10
Referencing the World Coordinate System	2-11
Creating <i>Circles</i>	2-12
<i>Object Snap</i> Toolbar	2-13
Using the <i>LINE</i> command	2-14
Creating a <i>TTR circles</i>	2-16
Using the <i>TRIM</i> Command	2-18
Using the <i>Polygon</i> command	2-20
Creating a Concentric <i>Circle</i>	2-22
Saving the CAD file	2-23
Exit AutoCAD	2-23
Questions	2-24
Exercises	2-25

Chapter 3

Geometric Construction and Editing Tools

Introduction	3-2
The Gasket Design	3-2
Starting Up AutoCAD® 2006	3-3
Drawing Units Display Setup	3-4
<i>GRID</i> and <i>SNAP</i> intervals Setup	3-5
Using the <i>LINE</i> command	3-6

<i>Object Snap Toolbar</i>	3-8
Using the <i>EXTEND</i> Command	3-11
Using the <i>TRIM</i> Command	3-12
Creating a <i>TTR circle</i>	3-13
Using the <i>FILLET</i> command	3-14
Converting objects into a <i>Polyline</i>	3-15
Using the <i>OFFSET</i> command	3-16
Using the <i>EXPLODE</i> command	3-17
Create another <i>FILLET</i>	3-17
Saving the CAD file	3-18
Exit AutoCAD	3-18
Questions	3-19
Exercises	3-20

Chapter 4

Object Properties and Organization

Introduction	4-2
The <i>Floor Plan</i> Design	4-2
Starting Up AutoCAD® 2006	4-3
Using the Setup wizard	4-3
Drawing Units Setup	4-4
Reference Drawing Area Setup	4-4
<i>GRID</i> and <i>SNAP</i> intervals Setup	4-5
Using the <i>ZOOM ALL</i> command	4-6
The AutoCAD <i>MULTILINE</i> command	4-6
Drawing <i>Multilines</i>	4-9
Creating interior walls	4-10
Joining the walls using <i>MULTILINE EDIT</i>	4-13
Using <i>Layers</i> and Object Properties	4-15
Using <i>ZOOM REALTIME</i>	4-18
Modeling the Bathroom	4-18
Controlling <i>Layer Visibility</i>	4-21
Adding a New Layer	4-21
Moving objects to a different layer	4-22
Questions	4-24
Exercises	4-25

Chapter 5

Orthographic Views in Multiview Drawings

Introduction	5-2
The LOCATOR Design	5-2
The <i>Locator</i> part	5-3
Starting Up AutoCAD® 2006	5-3
<i>GRID</i> and <i>SNAP</i> intervals Setup	5-4
<i>Layers</i> setup	5-5
Drawing <i>Construction Lines</i>	5-6
Using the <i>OFFSET</i> command	5-6
Set Layer <i>Object</i> as the current layer	5-8
Using the <i>Running Object Snaps</i>	5-8
Creating <i>Object lines</i>	5-10
Turn <i>OFF</i> the construction Lines	5-11
Adding more objects in the Front View	5-11
AutoCAD's AutoSnap™ and AutoTrack™ features	5-12
Adding more objects in the Top View	5-14
Drawing using the <i>Miter Line</i> method	5-18
More <i>Layers setup</i>	5-20
Top View to Side View Projection	5-21
Completing the Front View	5-23
Saving the CAD file	5-25
Questions	5-26
Exercises	5-27

Chapter 6

Basic Dimensioning and Notes

Introduction	6-2
The Bracket Design	6-2
Starting Up AutoCAD® 2006	6-3
Change the Background Color of the Graphics window	6-4
<i>GRID</i> and <i>SNAP</i> intervals Setup	6-5
<i>Layers</i> setup	6-5
The Bracket Design	6-7
Drawing Construction Lines	6-8
Using the <i>OFFSET</i> command	6-8
Set Layer <i>Object_Lines</i> as the <i>current layer</i>	6-10
Creating Object lines	6-10
Creating Hidden lines	6-11
Creating Center lines	6-12
Turn <i>OFF</i> the Construction Lines	6-12
Using the <i>FILLET</i> command	6-13
Saving the Completed CAD Design	6-14

The <i>Dimension toolbar</i>	6-15
Using <i>Dimension Style Manager</i>	6-15
Dimensions Nomenclature and Basics	6-16
Using the <i>Center Mark</i> command	6-19
Adding <i>Linear</i> Dimensions	6-20
Adding <i>Angular</i> Dimensions	6-21
Adding <i>Radius</i> and <i>Diameter</i> Dimensions	6-22
Using the <i>SINGLE LINE TEXT</i> command	6-23
Adding Special Characters	6-24
Saving the design	6-25
A Special Note on Layers containing Dimensions	6-25
Questions	6-26
Exercises	6-27

Chapter 7

Templates and Plotting

Introduction	7-2
The Geneva Cam Design	7-2
Starting Up AutoCAD® 2006	7-3
Setting up the <i>Plot Style Mode</i>	7-4
Starting a new file	7-6
<i>GRID</i> and <i>SNAP</i> intervals Setup	7-7
<i>Layers</i> setup	7-8
Adding Borders and Title Block in the Layout	7-8
Create a <i>Template file</i>	7-11
Exit AutoCAD® 2006	7-12
Starting Up AutoCAD® 2006	7-13
The <i>Geneva Cam</i> Drawing	7-14
Drawing Construction Lines	7-14
Creating Object lines	7-16
Using the <i>OFFSET</i> command	7-17
Using the <i>MIRROR</i> command	7-19
Using the <i>ARRAY</i> command	7-20
Creating a <i>Viewport</i> inside the Title Block	7-22
<i>Viewport</i> properties	7-23
Hide the <i>Viewport borders</i>	7-24
Adjusting the dimension scale	7-24
<i>Plot/Print</i> the drawing	7-26
Questions	7-28
Exercises	7-29

Chapter 8

Auxiliary Views and Editing with GRIPS

Introduction	8-2
The <i>V-Block</i> Design	8-2
Starting Up AutoCAD® 2006	8-3
The <i>V-Block</i> example	8-4
Setting up the Principal Views	8-4
Setting up the <i>Top View</i>	8-6
Using the <i>OFFSET</i> command	8-8
Creating Object lines in the <i>Front View</i>	8-10
Setting the <i>POLAR TRACKING</i> option	8-11
Setting up the <i>Auxiliary View</i>	8-14
Aligning the <i>Auxiliary View</i> to the <i>Front View</i>	8-15
Creating the V-cut in the <i>Auxiliary View</i>	8-15
Creating the V-cut in the <i>Front-View</i> and <i>Top-View</i>	8-18
Setting the <i>Polar Tracking</i> option	8-20
Completing the <i>Top-View</i>	8-20
Edit the Plot style table	8-24
Questions	8-26
Exercises	8-27

Chapter 9

Section Views

Introduction	9-2
The <i>Bearing</i> Design	9-2
Starting Up AutoCAD® 2006	9-3
The <i>Bearing</i> Example	9-4
Setting up the <i>Principal Views</i>	9-4
Creating Object lines in the <i>Front View</i>	9-6
Editing the circles	9-8
Setting up the <i>Side View</i>	9-9
Adding Hidden Lines in the <i>Side view</i>	9-11
Changing the <i>Line Type Scale</i> Property	9-13
Stretching and Moving Objects with <i>GRIPS</i>	9-14
Drawing a cutting plane line	9-15
Converting the Side View into a Section View	9-17
Adding <i>Section Lines</i>	9-19
Questions	9-22
Exercises	9-23

Chapter 10

Assembly Drawings and Blocks

Introduction	10-2
The <i>Shaft Support</i> Subassembly	10-3
Additional parts	10-3
(1) Cap-Screw	10-3
(2) Collar	10-4
(3) Base-plate	10-4
Starting Up AutoCAD® and Loading multiple drawings	10-5
Using AutoCAD with the Internet	10-6
Rearrange the Displayed Windows	10-7
Defining a <i>Block</i>	10-8
Inserting a <i>Block</i>	10-10
Starting the <i>Assembly drawing</i>	10-11
Copying and Pasting with the <i>Windows Clipboard</i>	10-12
Converting the View into a <i>Section View</i>	10-13
Adding the Bearing to the <i>Assembly Drawing</i>	10-15
Adding the Cap-screws to the <i>Assembly Drawing</i>	10-18
Questions	10-21
Exercise	10-22

Index