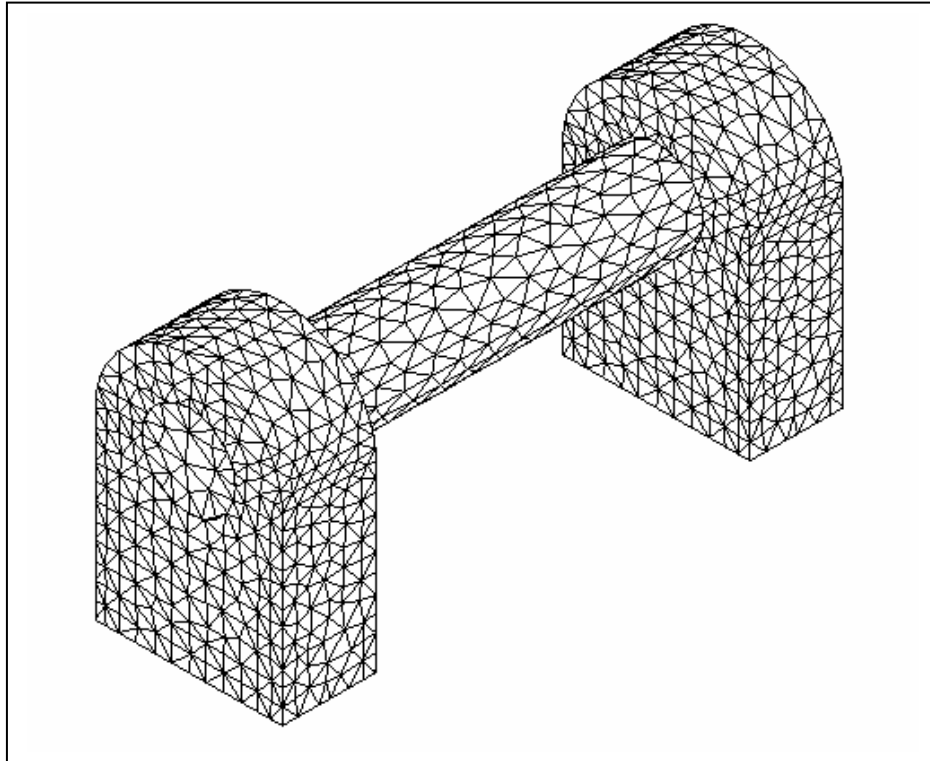


CATIA V5 FEA Tutorials

Releases 12 & 13



Nader G. Zamani

University of Windsor

SDC
PUBLICATIONS

Schroff Development Corporation

www.schroff.com
www.schroff-europe.com

Table of Contents

Chapter 1,	Introduction
Chapter 2,	Analysis of a Bent Rod with Solid Elements
Chapter 3,	Axially Loaded Block with Stress Concentration
Chapter 4,	Stress Analysis of a Rotating Disk
Chapter 5,	Deformation of an I-beam under Self-weight
Chapter 6,	C-clamp Deformed with Enforced Displacement
Chapter 7,	FEA Modeling of the Bent Rod with Beam Elements
Chapter 8,	Beam Elements under Enforced Displacement
Chapter 8,	Bending of a Notched Specimen with Smooth Virtual Part
Chapter 10,	Analyzing a Loaded Bracket with Shell Elements, Surface Extraction Approach
Chapter 11,	Modeling Mismatch in Shell Thickness and Surface Mesh
Chapter 12,	Analysis of Thin Walled Pressure Vessel using Shell Elements
Chapter 13,	Using the "Surface Mesher" to Simplify Geometry
Chapter 14,	Analysis of a Tensile Specimen as an Assembly
Chapter 15,	FE Model of a Bearing-Shaft Assembly using Analysis Connection
Chapter 16,	Shrink Fit Analysis
Chapter 17,	Analysis of a Fastened Assembly
Chapter 18,	Thermal Stresses in a Bi-metallic Strip
Chapter 19,	Hybrid Mesh Analysis
Chapter 20,	Spring Elements
Chapter 21,	Adaptive Refinement
Chapter 22,	Free Vibration of a Simply Supported Beam
Chapter 23,	Buckling Analysis
Chapter 24,	A Simple Spot Weld Analysis
Appendix I,	Toolbar and Icon Guide