

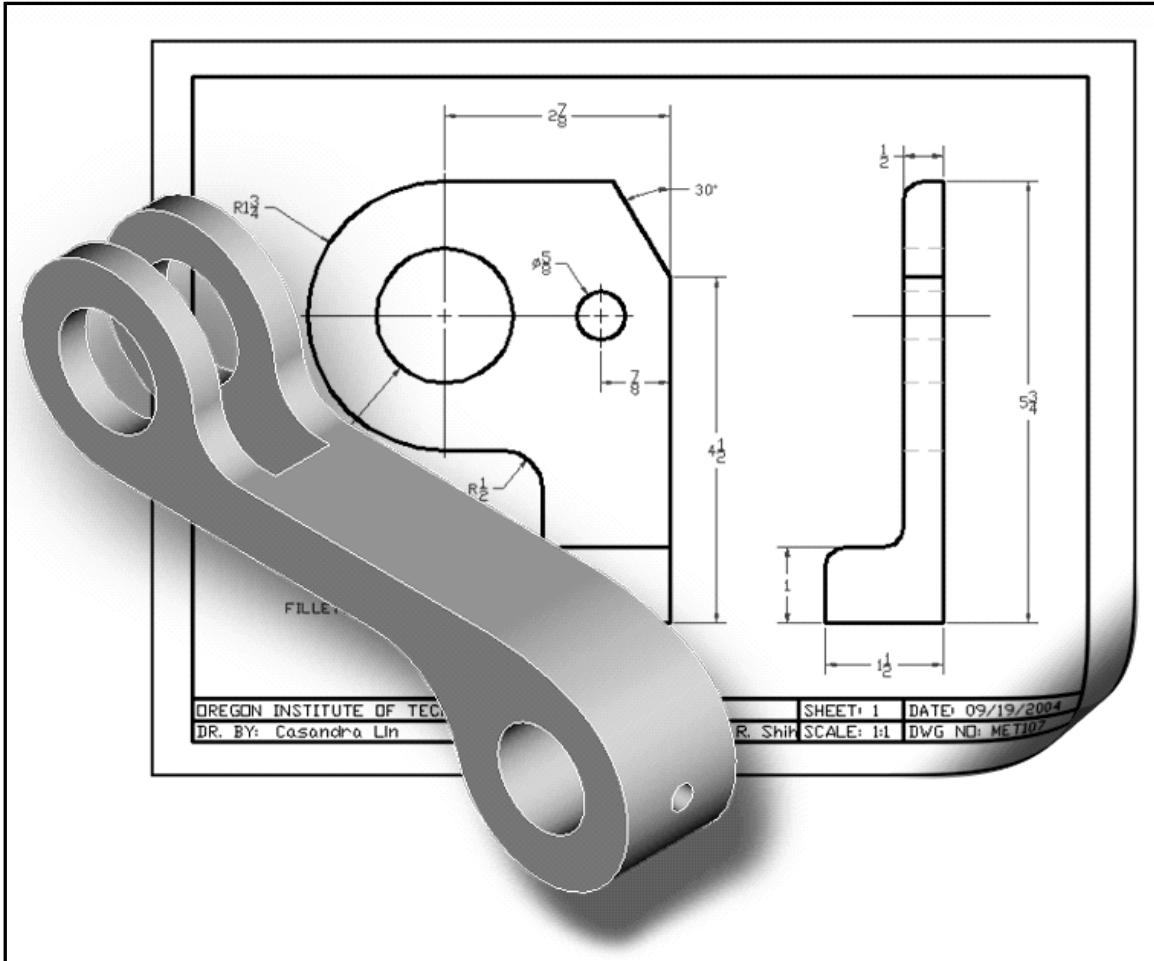
Inside:



AutoCAD® LT 2005

Tutorial

with MultiMedia CD



Text by

Randy H. Shih

Oregon Institute of Technology

MultiMedia CD by

Jack Zecher

Indiana University Purdue University Indianapolis

SDC
PUBLICATIONS

Schroff Development Corporation

www.schroff.com
www.schroff-europe.com

Table of Contents

Preface

Acknowledgments

Introduction

Introduction	Intro-2
Development of Computer Aided Design	Intro-2
Why Use AutoCAD® LT 2005	Intro-5
Getting Started with AutoCAD® LT 2005	Intro-7
AutoCAD® LT 2005 Screen Layout	Intro-8
Mouse Buttons	Intro-10
[Esc] - Canceling Commands	Intro-11
On-Line Help	Intro-11
Leaving AutoCAD® LT 2005	Intro-12
Creating a CAD Files Folder	Intro-13

Lesson 1

Geometric Construction Basics

Introduction	1-2
Starting Up AutoCAD® LT 2005	1-2
Drawing Units Setup	1-3
Drawing Area Setup	1-4
Using the <i>LINE</i> Command	1-6
Visual Reference	1-8
<i>GRID</i> ON	1-9
<i>SNAP</i> ON	1-10
Using the <i>ERASER</i>	1-11
Repeat the Last Command	1-11
The CAD Database and the User Coordinate System	1-13
Changing to the 2D UCS Icon Display	1-14
Cartesian and Polar Coordinate Systems	1-15
Absolute and Relative Coordinates	1-15
Defining Positions	1-16
The <i>Guide Plate</i>	1-16
Creating <i>Circles</i>	1-20
Save the CAD File	1-22
Exit AutoCAD LT	1-23
Questions	1-24
Exercises	1-25

Lesson 2**Construction and Editing Tools**

Introduction	2-2
The Gasket Design	2-2
Starting Up AutoCAD LT 2005	2-3
Drawing Units Setup	2-3
<i>GRID</i> and <i>SNAP</i> Intervals Setup	2-4
Using the <i>LINE</i> Command	2-6
<i>Toolbar</i> List	2-7
Using the <i>EXTEND</i> Command	2-10
Using the <i>TRIM</i> Command	2-11
Creating a <i>TTR Circle</i>	2-12
Using the <i>FILLET</i> Command	2-13
Converting Objects into a <i>Polyline</i>	2-14
Using the <i>OFFSET</i> Command	2-15
Using the <i>EXPLODE</i> Command	2-16
Create Another <i>FILLET</i>	2-16
Save the CAD File	2-17
Exit AutoCAD	2-17
Questions	2-18
Exercises	2-19

Lesson 3**Object Properties and Organization**

Introduction	3-2
<i>Floor Plan Design</i>	3-2
Starting Up AutoCAD® LT 2005	3-3
Using the Setup Wizard	3-3
Drawing Units Setup	3-4
Reference Drawing Area Setup	3-5
<i>GRID</i> and <i>SNAP</i> Intervals Setup	3-6
Using the <i>ZOOM ALL</i> Command	3-7
The AutoCAD LT <i>DOUBLE LINE</i> Command	3-7
Setting the Offset Distance of <i>Double Lines</i>	3-8
Setting the Appearance of Endpoints	3-8
Controlling Placement of <i>Double Lines</i>	3-9
The <i>DLINE</i> Break Option	3-9
Drawing <i>Double Lines</i>	3-10
Display the Object Snap Toolbar	3-11
Controlling the Appearance of Intersections	3-11
Creating Interior Walls	3-12
Using <i>Layers</i> and Object Properties	3-16
Using <i>ZOOM REALTIME</i>	3-19
Modeling the Bathroom	3-20
Controlling <i>Layer Visibility</i>	3-22
Adding a New Layer	3-22

Moving Objects to a Different Layer	3-23
Questions	3-25
Exercises	3-26

Lesson 4

Orthographic Views in Multiview Drawings

Introduction	4-2
The LOCATOR Design	4-2
The LOCATOR Part	4-3
Starting Up AutoCAD® LT 2005	4-3
GRID and SNAP Intervals Setup	4-4
Layers Setup	4-5
Drawing <i>Construction Lines</i>	4-6
Using the <i>OFFSET</i> Command	4-6
Set Layer <i>Object</i> as the Current Layer	4-8
Using the <i>Running Object Snaps</i>	4-8
Creating <i>Object lines</i>	4-10
Turn <i>OFF</i> the Construction Lines	4-11
Adding More Objects in the Front View	4-11
The AutoSnap™ and AutoTrack™ Features	4-12
Adding More Objects in the Top View	4-14
Drawing a <i>Miter Line</i>	4-18
More <i>Layers Setup</i>	4-20
Top View to Side View Projection	4-21
Completing the Front View	4-23
Saving the CAD File	4-25
Questions	4-26
Exercises	4-27

Lesson 5

Basic Dimensioning and Notes

Introduction	5-2
The Bracket Design	5-2
Starting Up AutoCAD® LT 2005	5-3
GRID and SNAP Intervals Setup	5-4
Layers Setup	5-5
The Bracket Design	5-6
Drawing Construction Lines	5-8
Using the <i>OFFSET</i> Command	5-7
Set Layer <i>Object_Lines</i> as the <i>Current Layer</i>	5-9
Creating Object Lines	5-9
Creating Hidden Lines	5-10
Creating Center Lines	5-11
Turn <i>OFF</i> the Construction Lines	5-11
Using the <i>FILLET</i> Command	5-12

Saving the CAD File	5-13
The <i>Dimension Toolbar</i>	5-14
Using <i>Dimension Style Manager</i>	5-14
Dimensions Nomenclature and Basics	5-15
Using the <i>Center Mark</i> Command	5-18
Adding <i>Linear</i> Dimensions	5-19
Adding <i>Angular</i> Dimensions	5-20
Adding <i>Radius</i> and <i>Diameter</i> Dimensions	5-21
Using the <i>SINGLE LINE TEXT</i> Command	5-22
Adding Special Characters	5-23
Saving the CAD File	5-24
A Special Note on Layers Containing Dimensions	5-24
Questions	5-25
Exercises	5-26

Lesson 6

Templates and Plotting

Introduction	6-2
The Geneva Cam Design	6-2
Starting Up AutoCAD® LT 2005	6-3
Setting Up the <i>Plot Style Mode</i>	6-4
Starting a New File	6-6
<i>GRID</i> and <i>SNAP</i> Intervals Setup	6-7
<i>Layers</i> Setup	6-8
Adding Borders and Title Block in the Layout	6-8
Change the Background Color of the Layout Graphics Window	6-10
Create a Customized Title Block	6-11
Create a <i>Template File</i>	6-12
Exit AutoCAD® LT 2005	6-13
Starting Up AutoCAD® LT 2005	6-14
The Geneva Cam Design	6-15
Drawing Construction Lines	6-15
Creating Object Lines	6-17
Using the <i>OFFSET</i> Command	6-18
Using the <i>MIRROR</i> Command	6-20
Using the <i>ARRAY</i> Command	6-21
Creating a <i>Viewport</i> Inside the Title Block	6-23
<i>Viewport</i> Properties	6-24
Hide the <i>Viewport Borders</i>	6-25
Adjusting the Dimension Scale	6-25
<i>Plot/Print</i> the Drawing	6-27
Questions	6-29
Exercises	6-30

Lesson 7**Auxiliary Views and Editing with GRIPS**

Introduction	7-2
The V-Block Design	7-2
Starting Up AutoCAD® LT 2005	7-3
The V-Block Example	7-4
Setting Up the Principal Views	7-4
Setting Up the Outer Edges of the <i>Top View</i>	7-6
Using the <i>OFFSET</i> Command	7-7
Creating Object Lines in the <i>Front View</i>	7-9
Stretch and Copy with Grips	7-11
Aligning the <i>Auxiliary View</i> to the <i>Front View</i>	7-14
Creating the V-Cut in the <i>Front-View</i> and <i>Top-View</i>	7-17
Setting the <i>Polar Tracking</i> Option	7-18
Completing the <i>Top-View</i>	7-19
Edit the Plot Style Table	7-23
Questions	7-25
Exercises	7-26

Lesson 8**Section Views**

Introduction	8-2
The Bearing Design	8-2
Starting Up AutoCAD® LT 2005	8-3
The Bearing Example	8-4
Setting Up the <i>Principal Views</i>	8-4
Creating Object Lines in the <i>Front View</i>	8-6
Editing the Circles	8-8
Setting Up the <i>Side View</i>	8-9
Adding Hidden Lines in the <i>Side View</i>	8-11
Changing the <i>Line Type Scale</i> Property	8-13
Stretching and Moving Objects with <i>GRIPS</i>	8-14
Drawing a Cutting Plane Line	8-15
Converting the Side View into a Section View	8-17
Adding <i>Section Lines</i>	8-19
Questions	8-22
Exercises	8-23

Lesson 9**Assembly Drawings and AutoCAD Blocks**

Introduction	9-2
The Shaft Support Subassembly	9-3
Additional parts	9-3
(1) Cap-Screw	9-3
(2) Collar	9-4
(3) Base-plate	9-4

Starting Up AutoCAD® LT 2005	9-5
Using AutoCAD LT with the Internet	9-6
Rearrange the Displayed Windows	9-7
Defining a <i>Block</i>	9-8
Inserting a <i>Block</i>	9-10
Starting the <i>Assembly drawing</i>	9-11
Copying and Pasting with the <i>Windows Clipboard</i>	9-12
Converting the View into a <i>Section View</i>	9-13
Adding the Bearing to the <i>Assembly Drawing</i>	9-15
Adding the Cap-Screws to the <i>Assembly Drawing</i>	9-18
Questions	9-21
Exercise	9-22

Lesson 10

3D Wireframe Modeling

Introduction	10-2
The V-Block Design	10-3
Starting Up AutoCAD® LT 2005	10-4
The 2D Sketch of the Base	10-5
UCS – It is an XY CRT, but an XYZ World	10-6
Viewing the 2-D Sketch in 3-D space	10-7
Creating a Wireframe Box	10-9
Using the <i>View</i> and <i>UCS</i> Toolbars	10-10
Creating Construction Lines in the Front View	10-11
Copying in the Negative Z Direction	10-12
Creating an Inclined Line at the Base of the Model	10-13
Creating Object Lines	10-14
Multiple Viewports	10-16
Using the Mirror Command	10-17
Turn <i>OFF</i> the Construction Lines	10-19
Creating a NEW UCS	10-20
Changing the Displayed View and Creating a Named View	10-21
Creating the V-Cut Feature on the Inclined Plane	10-23
Extend the Cut and GRIP Editing	10-24
Conclusion	10-25
Questions	10-26
Exercises	10-27

Index