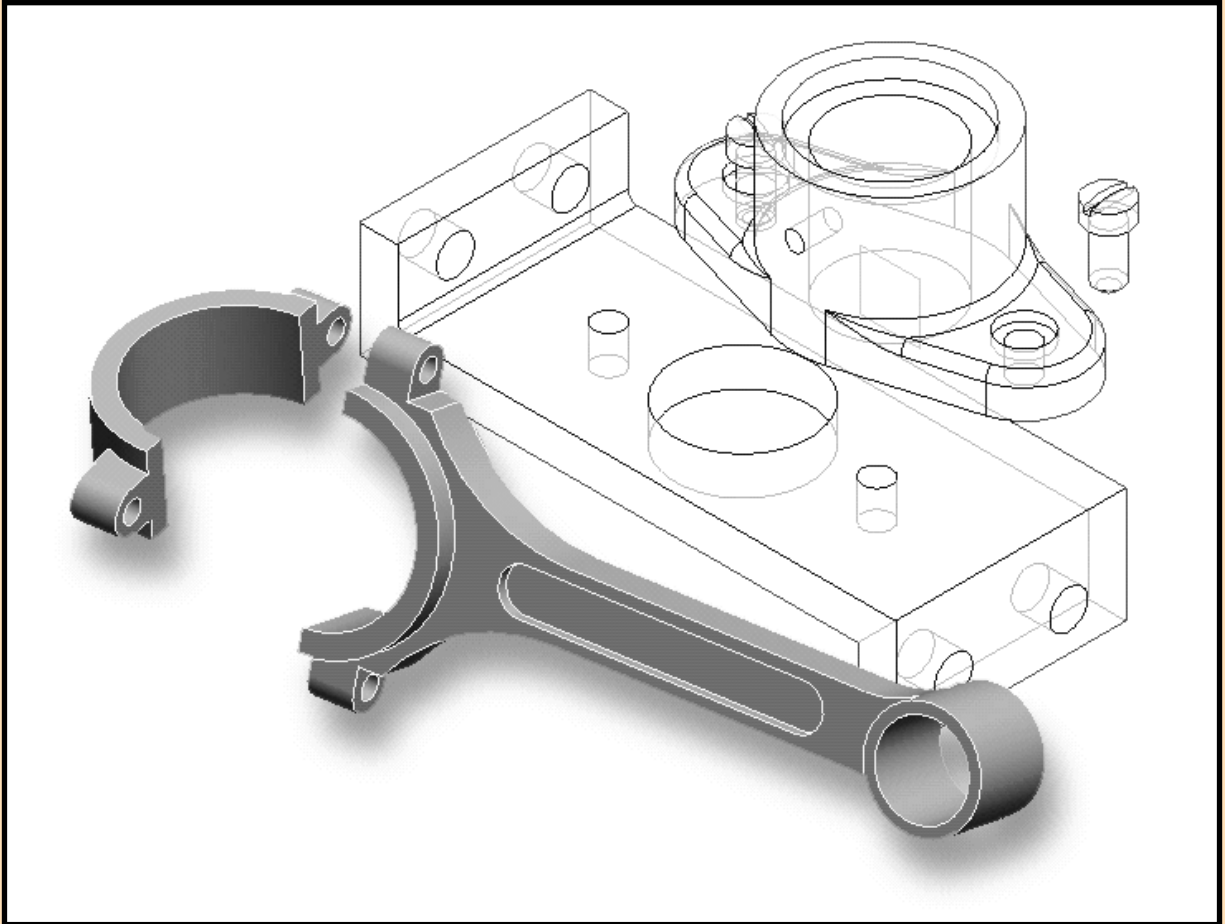


AutoCAD® 2005 Tutorial

Second Level: 3D Modeling



Randy H. Shih
Oregon Institute of Technology

SDC
PUBLICATIONS

Schroff Development Corporation

www.schroff.com
www.schroff-europe.com

Table of Contents

Preface

Acknowledgments

Chapter 1

Getting Started

Introduction	1-2
Development of Computer Geometric Modeling	1-2
Why Use AutoCAD® 2005?	1-5
Getting Started with AutoCAD® 2005	1-7
AutoCAD Screen Layout	1-8
Pull-down Menus	1-9
Standard Toolbar	1-9
Object Properties Toolbar	1-9
Graphics Window	1-9
Graphics Cursor or Crosshairs	1-9
Command Prompt Area	1-9
Draw Toolbar and Modify Toolbars	1-10
Mouse Buttons	1-10
[Esc] - Canceling Commands	1-11
On-Line Help	1-11
Leaving AutoCAD	1-12
Creating a CAD Files Folder	1-13

Chapter 2

User Coordinate System and the Z-Axis

Introduction	2-2
The Floor Plan Design	2-2
Starting Up AutoCAD® 2005	2-3
Drawing Units Setup	2-4
Drawing Area Setup	2-5
<i>GRID</i> and <i>SNAP</i> Intervals Setup	2-6
Drawing Polylines	2-7
Creating an Offset Polyline	2-9
Creating Interior Walls	2-10
Completing the Doorway Using <i>TRIM</i> Command	2-13
User Coordinate System – It is an XY CRT, but an XYZ World	2-15
Viewing the 2D Design in 3D space	2-16
Adding the 3rd Dimension to the Floor Plan Design	2-17

Viewing the Design Using the Hide Option	2-19
Adding New Layers	2-20
Moving Entities to a Different Layer	2-21
Moving the UCS	2-21
Creating the Roof	2-23
Rotating the UCS	2-25
Sketching on the Rotated UCS	2-26
Viewing the Design Using the Hidden Option	2-27
Questions	2-28
Exercises	2-29

Chapter 3

3D Wireframe Modeling

Introduction	3-2
The Locator Design	3-3
Starting Up AutoCAD® 2005	3-4
Using the Setup wizard	3-4
Creating the Rectangular Base of the Design	3-6
Creating a 3D Box	3-7
Object Snap Toolbar	3-10
Using the Snap Options to Locate the Top Corners	3-10
Using the Copy Option to Create Additional Edges	3-12
Using the <i>TRIM</i> Command	3-14
Using the Trim-Project-View option	3-16
Using the View Toolbar	3-18
Dynamic Rotation – 3D Orbit	3-18
Using the <i>OFFSET</i> Command to Create Parallel Edges	3-19
Creating a Circle Above the UCS Sketch Plane	3-21
Completing the Wireframe Model	3-22
Questions	3-24
Exercises	3-25

Chapter 4

UCS, Viewports and Wireframe Modeling

Introduction	4-2
The V-block Design	4-2
Starting Up AutoCAD® 2005	4-3
Layers Setup	4-4
Creating the Rectangular Base of the Design	4-5
Creating a Wireframe Box	4-6
Using the View and the UCS Toolbars	4-7
Creating Construction Lines in the Front View	4-8

Copying in the Negative Z Direction	4-10
Creating an Inclined Line at the Base of the Model	4-11
Creating Object Lines	4-12
Multiple Viewports	4-14
Using the <i>MIRROR</i> Command	4-15
Turning <i>OFF</i> the Construction Lines	4-17
Creating a NEW UCS	4-18
Creating a New Named View	4-20
Creating the V-Cut Feature on the Inclined Plane	4-22
Extending the Cut and GRIP Editing	4-23
Questions	4-25
Exercises	4-26

Chapter 5

3D Surface Modeling

Introduction	5-2
Starting Up AutoCAD® 2005	5-4
Using the UCS and Surfaces Toolbars	5-5
Creating a Surface Using the <i>2D SOLID</i> Command	5-5
Using the Shade Toolbar	5-8
Creating a Surface Using the <i>3D FACE</i> Command	5-10
Creating a Surface of Irregular Shape	5-12
Using the <i>Invisible Edge</i> Option	5-14
The <i>Locator</i> Wireframe Model	5-16
Moving Objects to a Different Layer	5-16
Predefined Surface Models	5-18
Advanced Surface Modeling Commands	5-20
Using the <i>Tabulated Surface</i> Option	5-23
Using the <i>Ruled Surface</i> Option	5-24
Questions	5-28
Exercises	5-29

Chapter 6

Solid Modeling - Constructive Solid Geometry

Introduction	6-2
The Guide-Block Design	6-2
<i>Constructive Solid Geometry</i> Concept	6-3
Binary Tree	6-4
The Guide-Block CSG Binary Tree	6-5
Starting Up AutoCAD® 2005	6-6
Creating the First 3-D Object	6-7
Viewing the 3-D Block	6-8

Creating the Second Solid Feature	6-9
Boolean Operation - <i>UNION</i>	6-10
Creating the Second Cylinder Feature	6-11
Boolean Operation - <i>SUBTRACT</i>	6-12
Creating Another Solid Feature	6-13
Shaded SOLID	6-14
Creating the Final Feature	6-15
Rotating the Rectangular Block	6-16
Moving the Rectangular Block	6-17
Questions	6-18
Exercises	6-19

Chapter 7

Regions, Extrude and Solid Modeling

Introduction	7-2
The V-blockS Design	7-2
Starting Up AutoCAD® 2005	7-3
Layers Setup	7-4
Setting Up a 2D Sketch	7-5
Defining the Front Edges of the Design	7-7
Creating a Region	7-10
Solids Toolbar	7-11
Creating a 2D Sketch at the Base of the Model	7-13
Creating a Copy of the 2D sketch	7-14
Creating the Cutter Solids	7-15
Boolean Operation - <i>Subtract</i>	7-16
Mass Properties of the Solid Model	7-17
Aligning the UCS to the Inclined Face	7-18
Creating the V-cut	7-19
Questions	7-22
Exercises	7-23

Chapter 8

Multiview Drawings from 3D Models

Introduction	8-2
The V-block Design	8-2
Starting Up AutoCAD® 2005	8-3
AutoCAD Paper Space	8-4
Deleting the Displayed Viewport	8-5
Adding Borders and Title Block in the Layout	8-6
Setting Up Viewports Inside the Titleblock	8-7
Setting Up the Standard Views	8-8

Determining the Necessary 2D Views	8-10
Establishing an Auxiliary View in Model Mode	8-11
Adding a Viewport for an Auxiliary View	8-13
Using the <i>DVIEW</i> Command	8-16
Adjusting the Viewport Scale	8-17
Locking the Base View	8-18
Aligning the 2D Views	8-18
Creating 2D Projected Entities - SOLPROF	8-21
Completing the 2D Drawing	8-23
Questions	8-25
Exercises	8-26

Chapter 9

Symmetrical Features in Designs

Introduction	9-2
A Revolved Design: PULLEY	9-2
Modeling Strategy - A Revolved Design	9-3
Starting Up AutoCAD® 2005	9-4
Layers Setup	9-5
Setting Up a 2D Sketch for the Revolved Feature	9-6
Performing 2D Boolean Operations	9-8
Creating the Revolved Feature	9-12
Mirroring Part	9-13
Combining Parts	9-14
3D Array	9-15
Positioning and performing the Cut	9-18
Questions	9-20
Exercises	9-21

Chapter 10

Advanced Modeling Tools & Techniques

Introduction	10-2
A Thin-walled Design: OIL SINK	10-2
Modeling Strategy	10-3
Starting Up AutoCAD® 2005	10-4
Layers Setup	10-5
The First Extruded Feature	10-6
Creating an Offset Geometry from an Extracted Surface	10-8
Extruding with Draft Angle	10-10
Aligning the Parts	10-11
Creating Another Extracted Surface	10-12
Combining parts – Boolean UNION	10-15

Creating 3D Rounds and Fillets	10-16
Creating a Shell Feature	10-18
Creating a Rectangular Array Cut feature	10-19
Creating Another Rectangular Array Cut Feature	10-21
Conclusion	10-23
Questions	10-24
Exercises	10-25

Index